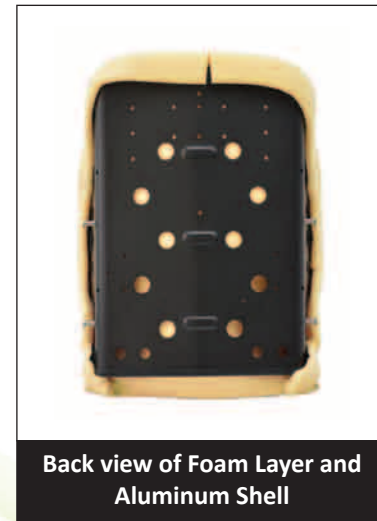


MAX ULTRA BACK



The Max Backs™ were designed for users who require moderate to moderately complex postural support and offers the most aggressive lateral support in the Prism line of products. Available as an upgrade to Prism Ultra, Prism Air, and Prism TrueFitt Backs, this type of back comes equipped with high density foam, 3” higher set laterals and a new cover made with a breathable air mesh spandex material, in a variety of 5 colours.

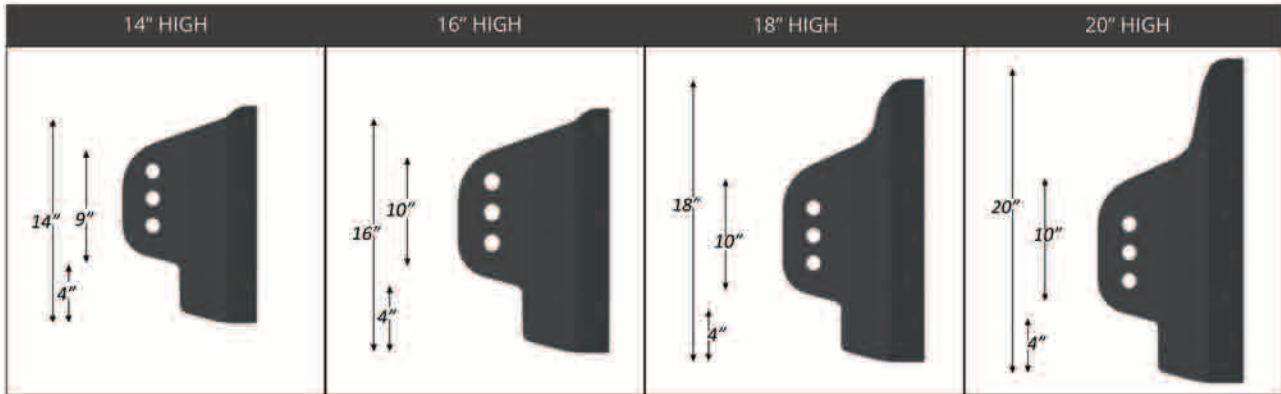
Max Series Backs		STYLE: Max Ultra Back	
Stock Sizes – Same Day Shipment			
ADP CODE: SEBFM0020			
Part Number	Size W x H	Part Number	Size W x H
MUB1616	16” x 16”	MUB1820	18” x 20”
MUB1620	16” x 20”	MUB2016	20” x 16”
MUB1816	18” x 16”	MUB2020	20” x 20”
Non-Stock Sizes – Shipment within 3 business days			
ADP CODE: SEBFM0025			
Part Number	Size W x H	Part Number	Size W x H
MUB1414	14” x 14”	MUB1818	18” x 18”
MUB1618	16” x 18”	MUB1916	19” x 16”
MUB1716	17” x 16”	MUB1920	19” x 20”
MUB1720	17” x 20”	MUB2018	20” x 18”
Custom Sizes - Shipment within 7 business days			
ADP CODE: SEBFM0030			
Part Number	Size W x H		
MUBCUS	Custom		



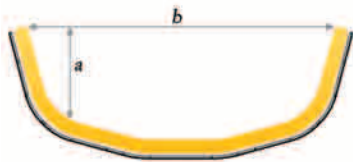
Back view of Foam Layer and Aluminum Shell

Product Highlights:

- ✓ Lightweight, sturdy 5052 grade aluminum shell
- ✓ Back angle adjustment forward 15 degrees, back 20 degrees, optimizing user positioning
- ✓ Pins can be replaced to accommodate up to 2” difference in seat width (standard, 0.5” and 1” longer)
- ✓ 3” higher set laterals than regular Prism backs
- ✓ Attractive breathable cover design in a selection of black, royal blue, navy blue, dark green and burgundy colours
- ✓ Cane clamps hardware included
- ✓ Quick latch release for easy installation
- ✓ **Product Weight:** 5 lbs (18”W x 16”H)
User Weight: 250 lbs
Warranty: 3 years limited on back, 90 days on cover, and 1 year on hardware



Lateral Dimensions - Kids Back		
KIDS BACK, Heights 10, 12, 13, 14, 16		
Chair Width	DIM B (")	DIM A (")
12"	9.6	4.5
13"	10.6	4.5
14"	11.6	4.5
15"	12.6	4.5
16"	13.6	4.5



Max Ultra Back showing side and top view, of the back

- ✓ Fully adjustable for height, depth and angle of recline
- ✓ Hardware fits 3/4", 7/8" and 1" tubing and can be installed within a few minutes with the right tools
- ✓ Quick release lower latch levers allows the backrest to be easily removed.

ADP CODE: SEBFM0150 - Max Back

(The upcharge of \$100 in addition to the ADP codes for the Ultra, Air, or TruFitt Backs)