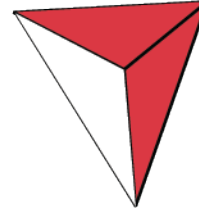




**FUTURE**  
MOBILITY HEALTHCARE INC.



**PRISM**

# USER MANUAL



## **1 CONTACT INFORMATION**

### **FUTURE MOBILITY HEALTHCARE INC. APPRECIATES YOUR FEEDBACK**

**Supplier:** Please give this manual to the user of the wheelchair.

**User:** Please read this entire manual before using this wheelchair.

Thank you for choosing Future Mobility Healthcare Inc.

If you have any questions please do not hesitate to write or call us at the address and telephone number below:

#### **Future Mobility Healthcare Inc.**

Customer Service Canada

6750 Professional Court

Mississauga ON L4V 1X6

Phone: (888) 737-4011 or (905) 671-1661

Fax: (905) 671-3377

e-mail: [orderdesk@futuremobility.ca](mailto:orderdesk@futuremobility.ca)

[www.futuremobility.ca](http://www.futuremobility.ca)

## **TABLE OF CONTENTS**

<b>1</b>	<b>CONTACT INFORMATION</b> .....	<b>2</b>
	<b>TABLE OF CONTENTS</b> .....	<b>3</b>
<b>2</b>	<b>NOTICE – READ BEFORE USE</b> .....	<b>4</b>
	CHOOSE THE CORRECT CHAIR AND OPTIONS .....	4
	REVIEW THIS MANUAL OFTEN .....	4
	WARNING .....	4
<b>3</b>	<b>GENERAL</b> .....	<b>5</b>
	USER WEIGHT LIMIT .....	ERROR! BOOKMARK NOT DEFINED.
<b>4</b>	<b>SUPREME CUSHION WITH DROP BASE</b> .....	<b>6</b>
<b>5</b>	<b>INTRODUCTION</b> .....	<b>7</b>
	INSTALLING SUPREME CUSHION WITH DROP BASE /FIG.1/ .....	8
	INSTALLATION WARNINGS .....	8
	DROP BASE INSPECTION .....	8
<b>6</b>	<b>WARRANTY</b> .....	<b>9</b>
	LIMITATIONS AND EXCLUSIONS: .....	9
	WARRANTY PROCEDURES .....	10

## **2 NOTICE – READ BEFORE USE**

### **CHOOSE THE CORRECT CHAIR AND OPTIONS**

Future Mobility Healthcare Inc. provides a choice of many wheelchair styles to meet the requirements of the wheelchair user. However, the final selection of the wheelchair and its options rests solely with you and your health care advisor. Choosing the best chair will depend on such things as:

1. The level of your disability, strength, balance and coordination.
2. The places and terrain that you are likely to use your chair.
3. The need for options for your safety and comfort (such as anti-tip tubes, positioning belts, or special seating systems).

### **REVIEW THIS MANUAL OFTEN**

Before using this chair you, and each person who may assist you, should read this entire manual and make sure to follow all instructions. Review the warnings often.


### **WARNING**

The term “**WARNING**” are hazards or unsafe practices that may cause **severe injury or death** to you or to other persons.

### 3 **General**

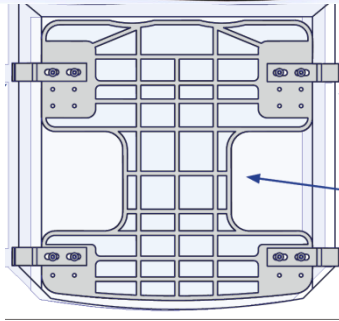
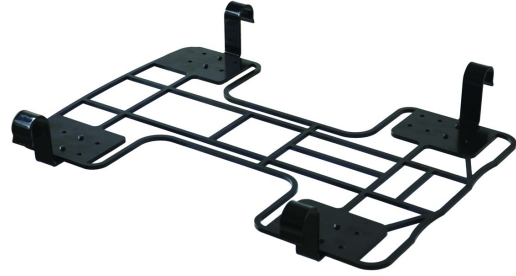


**NOTICE:** Information contained within this document is subject to change without notice.

 **WARNING:** DO NOT install this equipment without first reading and understanding this instruction booklet. If you are unable to understand these instructions, contact a healthcare professional, dealer or technical personnel before attempting to install this equipment - otherwise, injury or damage may occur.

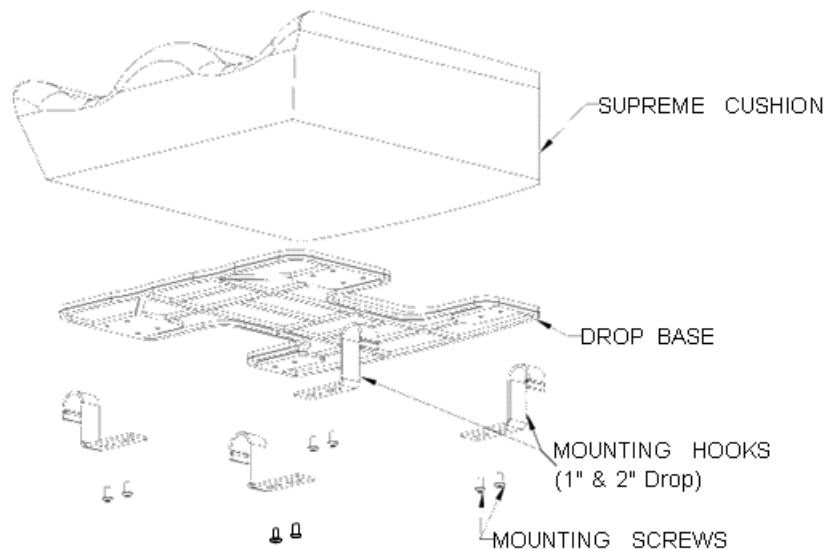
**NOTE:** Check all parts for shipping damages before using. In case of damage, **DO NOT** use the equipment. Contact the Equipment Supplier for further instructions.

## 4 SUPREME CUSHION WITH DROP BASE



## 5 Introduction

The Drop Base is designed to provide a stable base of support for the individual who uses a seat cushion in the wheelchair. Using the Drop Base on certain wheelchairs may allow the seat cushion to be lowered up to two inches. The Drop Base lowers seat cushion height for improved fit under tables or desks and improves foot propulsion. The Drop Base was manufactured with universal cross brace cutouts which allow The Drop Base to fit most wheelchairs.



**FIGURE 1**

## **Installing Supreme Cushion with Drop Base /Fig.1/**

1. Loosen, but do not remove the mounting screws that secure the mounting hooks to the drop base.
2. Place the Drop Base on the wheelchair in the following position:
  - a. Cross brace cut-outs of the drop base approximately centered between the cross braces
  - b. The leg cutouts towards the front of the wheelchair
  - c. The mounting hooks sitting flush with the cross braces of the wheelchair.
3. Without moving seat and mounting hardware tightens all mounting screws securely.

## **Installation warnings**

Make sure the drop base is approximately centered on the wheelchair. Make sure the mounting hooks sit flush with the cross braces of the chair Always test to see that the drop base is properly and securely locked in place before using  
Make certain all hardware is tight at all times

## **Drop Base Inspection**

1. Once a week, visually inspect all parts for deformation, corrosion, breakage, wear and/or compression.
2. Do not continue to use this product if any problems are discovered. Corrective maintenance can be performed at or arranged through your equipment supplier



## **6 Warranty**

This warranty is extended only to the original purchaser/user of our products.

Future Mobility Healthcare Inc. warrants this seating product to be free from defects in materials and workmanship for two (2) years on cushions and 90 days on covers upon normal usage by original purchaser. If within this warranty period the product shall be proven to be defective, such product shall be repaired or replaced, at Future Mobility Healthcare Inc. discretion. Future Mobility Healthcare Inc. sole obligation and your exclusive remedy under this warranty shall be limited to the repair and/or replacement of the product or its parts. This warranty does not include any labor or shipping charges incurred in replacement part installation or repair of any product.

For warranty service, please contact the dealer from whom you purchased your Future Healthcare Inc. product. In the event you do not receive satisfactory warranty service, please write directly to Future Mobility Healthcare Inc. at 3223 Orlando Drive, Mississauga, Ontario, L4V 1C5. Provide the dealer's name, address, model number, date of purchase and indicate the nature of the defect.

DO NOT return products to Future Mobility Healthcare Inc. our prior consent. The defective unit or parts must be returned for warranty inspection within thirty (30) days of the return authorization date. (Future Mobility Healthcare Inc. will issue a return authorization number). Please prepay all shipping charges; C.O.D. shipments will be refused.

### **LIMITATIONS and EXCLUSIONS:**

This warranty shall not apply to problems arising from normal wear or failure to adhere to the enclosed instructions. Products subjected to negligence, accident, improper usage, maintenance or storage; or products modified without Future

Mobility Healthcare Inc. written consent including, but not limited to: modification through the use of any unauthorized parts or attachments; products damaged by reason or repairs made to any component without the specific consent of Future Mobility Healthcare Inc., or products repaired by anyone other than a Future Mobility Healthcare Inc. dealer. Such evaluation shall be determined by Future Mobility Healthcare Inc.

## **WARRANTY PROCEDURES**

1. If within this warranty period the product shall be proven to be defective, such product shall be repaired or replaced, at FMHI discretion.
2. FMHI's sole obligation and your exclusive remedy under this warranty shall be limited to the repair and/or replacement of the product or its parts.
3. This warranty does not include any labor or shipping charges incurred in replacement part installation or repair of any product.
4. For warranty service, please contact the dealer from whom you purchased your FMHI product. In the event you do not receive satisfactory warranty service, please write directly to FMHI.
5. DO NOT return products to FMHI without our prior consent. The defective unit or parts must be returned for warranty inspection within thirty (30) days of the return authorization date. (FMHI will issue a return authorization number). Please prepay all shipping charges; C.O.D. shipments will be refused.

The foregoing warranty is exclusive and in lieu of all other expressed warranties. It shall not extend beyond the duration of the expressed warranty provided herein and the remedy for violations of any implied warranty shall be limited to repair or replacement of the defective product pursuant to the terms contained herein. FMHI shall not be liable for any consequential or incidental damages whatsoever

Cut below this line #

-----

**Warranty Registration Form**

To validate your Future Mobility HealthCare warranty, please complete the below form and return it the address at the end of this form. Visit online at [www.futuremobility.ca](http://www.futuremobility.ca) for more Future Mobility Products.

Name: \_\_\_\_\_  
Street Address: \_\_\_\_\_  
City/Country/Postal Code: \_\_\_\_\_  
Telephone: \_\_\_\_\_  
Purchased Date: \_\_\_\_\_  
Purchased From (Dealer Name & Address): \_\_\_\_\_  
Product Purchased: \_\_\_\_\_  
Serial Number: \_\_\_\_\_

**Print and Mail it to:**  
**Future Mobility Healthcare Products**  
**6750 Professional Court**  
**Mississauga, Ontario, L4V 1X6**  
**Fax: 905-671-3377**

-----

## **CANADA**

**Future Mobility Healthcare Inc.**  
6750 Professional Court  
Mississauga, ON L4V 1X6  
Ph: 905 671-1661 – Toll Free: 1 888 737-4011  
Fax: 905 671-3377  
Toll Free Fax: 1-866-670-3377  
e-mail: [customerservice@futureamobility.ca](mailto:customerservice@futureamobility.ca)  
[www.futuremobility.ca](http://www.futuremobility.ca)



**FUTURE MOBILITY**  
INNOVATIVE SEATING AND HOME MOBILITY SOLUTIONS

## **USA**

**Future Mobility Products US LLC**  
1 Buffalo River Place  
Buffalo, NY, 14210  
Tel: 716-783-9130 – Toll Free 1-855-938-  
898873  
Fax: 716-783-9236  
Toll Free Fax: 1-866-670-3377  
e-mail: [customerservice@futureamobility.ca](mailto:customerservice@futureamobility.ca)  
[www.futuremobility.ca](http://www.futuremobility.ca)



**FUTURE MOBILITY**  
PRODUCTS