



CANADA

USA

6750 Professional Court, Mississauga,
Ontario, L4V 1X6



11126 Greenstone Ave, Santa Fe Springs
CA 90670

1-888-737-4011



1-888-342-3119

www.futuremobility.ca



www.futuremobility.com

PARTS MANUAL



REHAB COMMODE by FUTURE MOBILITY

FC

* Part prices and configurations included in this Parts Manual are subject to change without prior notice.
* All prices are shown as per unit individual price.

Contents

SIDE FRAMES..... 5

AQUA FC - CROSSBRACE 7

AQUA FC - BACK 9

ARMREST..... 11

AQUA FC LEGREST ASSEMBLY 13

CASTERS 15

WHEEL LOCKS..... 17

SEAT 19

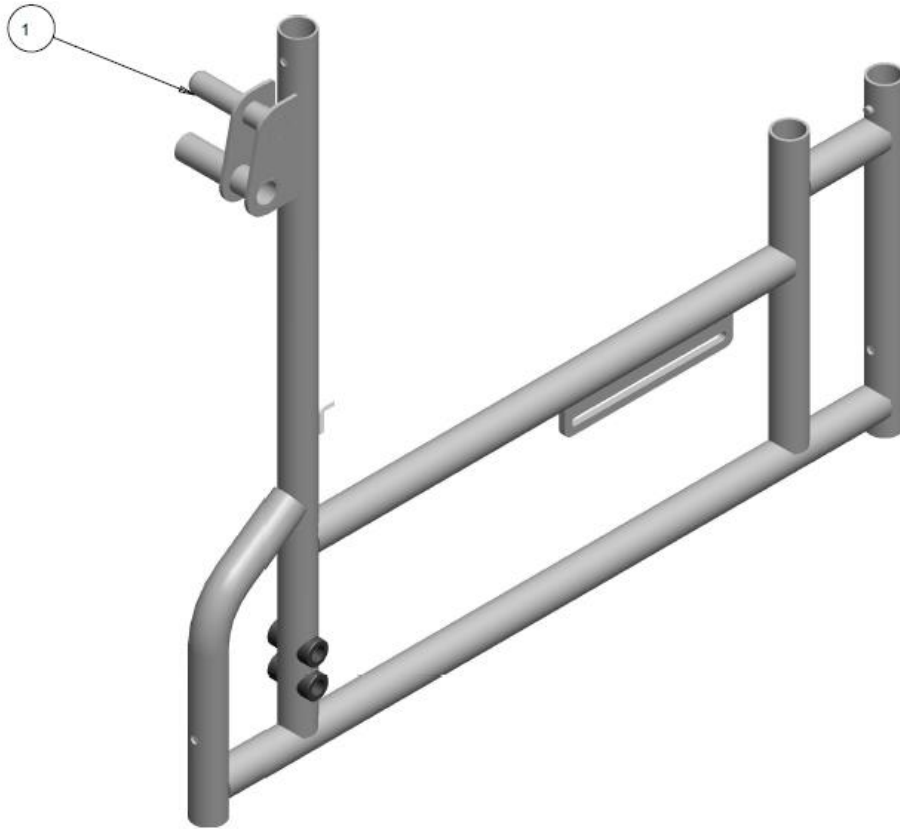
POTTY 21

ANTI-TIPPERS 23

WHEELS 25

SIDE FRAMES

AQUA FC SIDE FRAME ASSY

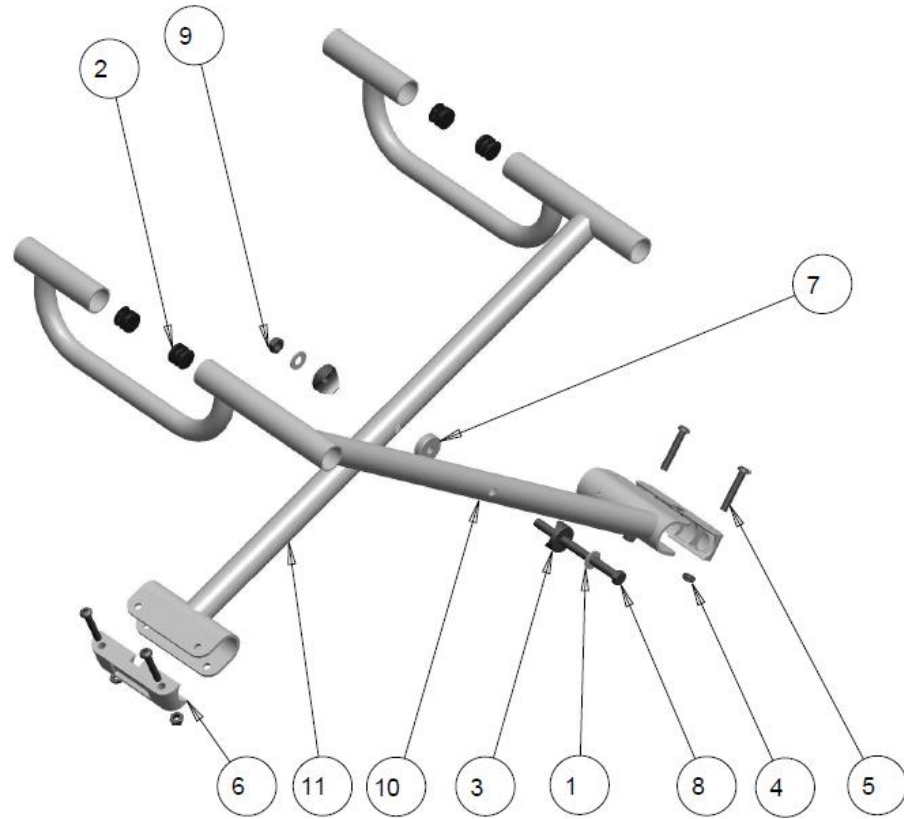


AQUA FC SIDE FRAME - TABLE

ITEM	QTY	NOTES	PART NO.	DESCRIPTION	PRICE/ UNIT
1	1		1029137	AQUA FC - LT SIDE FRAME WELDMENT	\$600.00
1	1		1029138	AQUA FC - RT SIDE FRAME WELDMENT	\$600.00

NOTES:

AQUA FC - CROSSBRACE



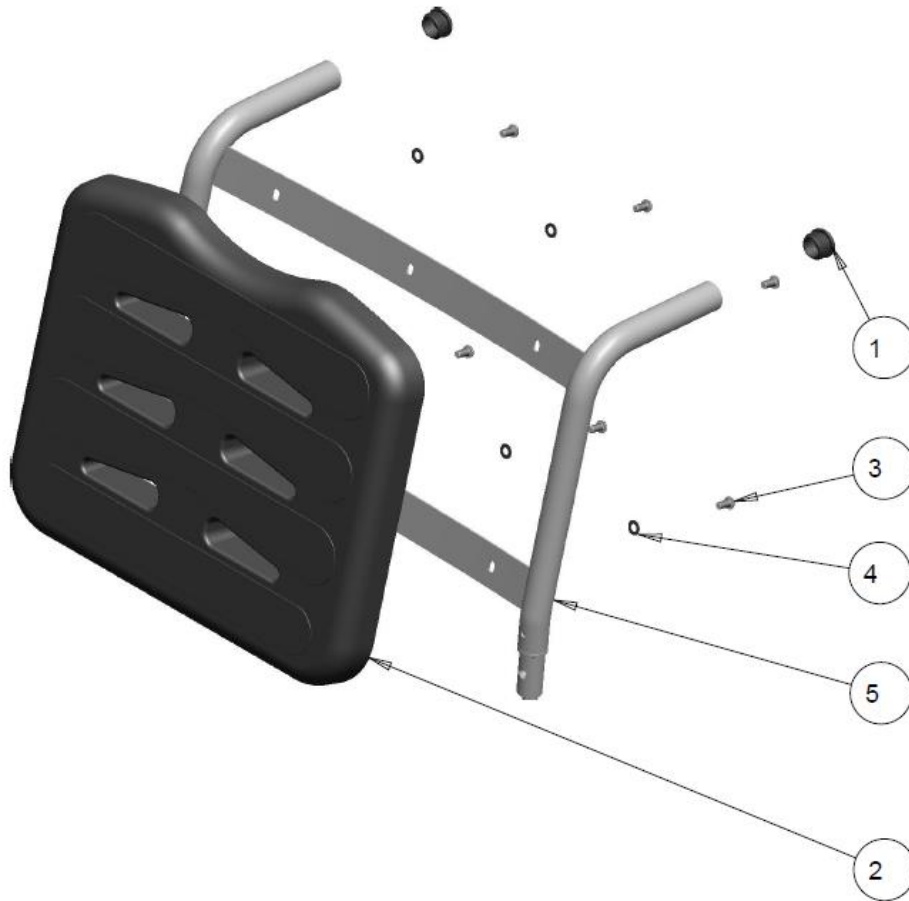
AQUA FC CROSSBRACE AND HARDWARE - TABLE

ITEM	QTY	NOTES	PART NO.	DESCRIPTION	PRICE/ PER UNIT
1	2		1000008	WASHER FLAT 11/16-OD-11/32-ID-11/16-THK-BLK	\$1.50
2	4		1000018	ROUND PLUG TUBE	\$2.00
3	2		1000390	SPACER, COVERED 0.312 x 1.0 TUBE DIA.	\$3.50
4	4		1000397	NUT, HEX-NYLOCK THIN, 1/4-20NC	\$2.00
5	4		1000493	SCREW, SOCKET HEAD BUTTON 1/4-20 X 1.50	\$3.00
6	2		1001650	SADDLE BUSHING, X-BRACE	\$13.00
7	1		1001709	SPACER 1.00 DIA X .290 THK	\$2.50
8	1		1003825	HEX BOLT 5/16-24 X 4.0	\$3.00
9	1		1004783	NUT, HEX-NYLOCK THIN, 5/16-24	\$2.00
10	1		1028827	FOLDING COMMODOE, X-BRACE 18"WIDE RT	\$160.00
	1		1028810	FOLDING COMMODOE, X-BRACE 20"WIDE RT	\$160.00
	1		1028828	FOLDING COMMODOE, X-BRACE 22"WIDE RT	\$160.00
11	1		1028817	FOLDING COMMODOE, X-BRACE 18"WIDE LT	\$160.00
	1		1028829	FOLDING COMMODOE, X-BRACE 20"WIDE LT	\$160.00
	1		1028830	FOLDING COMMODOE, X-BRACE 22"WIDE LT	\$160.00
	1		1028875	KIT, AQUA FC CROSS BRACE ASSEMBLY 18"	\$325.00
	1		1028876	KIT, AQUA FC CROSS BRACE ASSEMBLY 20"	\$325.00
	1		1028877	KIT, AQUA FC CROSS BRACE ASSEMBLY 22"	\$325.00

NOTES:

AQUA FC - BACK

BACK ASSEMBLY



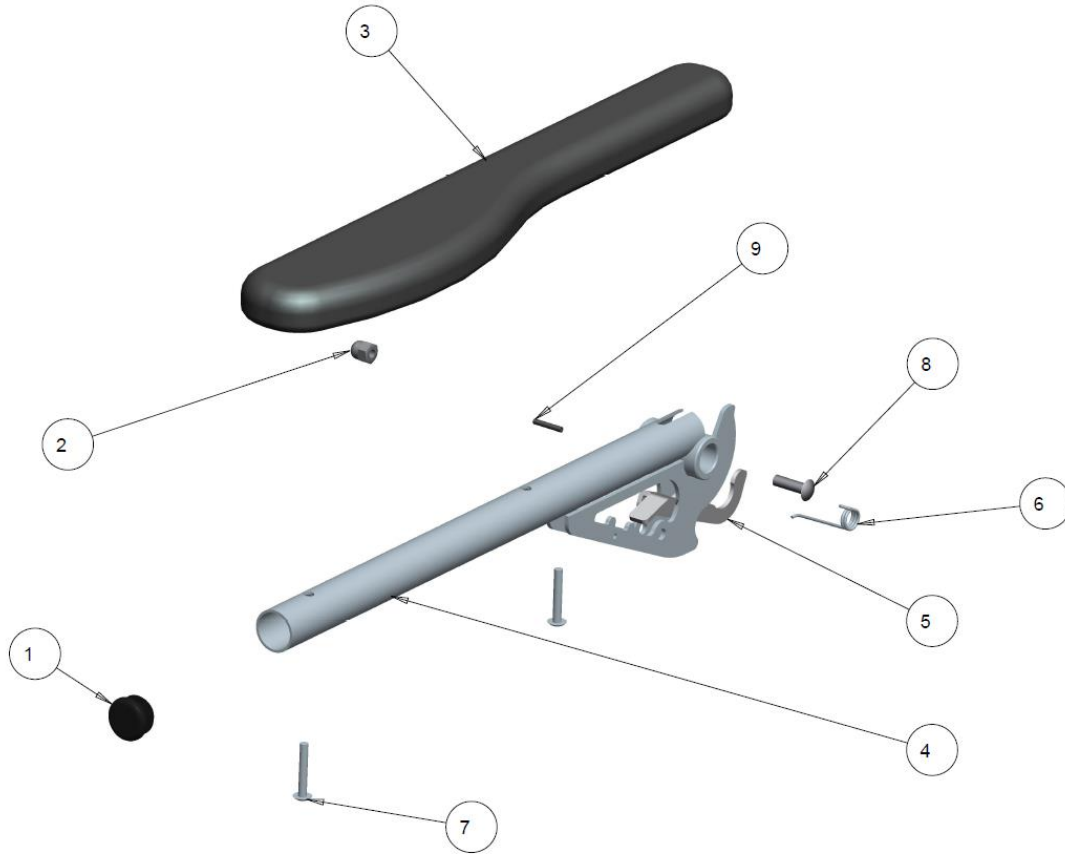
AQUA FC – BACK ASSEMBLY TABLE

ITEM	QTY	NOTES	PART NO.	DESCRIPTION	PRICE/ PER UNIT
1	2		1000392	1 INCH TUBE PLUG	\$3.00
2	1		1011893	BACK SUPPORT MOLD	\$300.00
3	6		1022344	SCREW,SOC BUTTON HEAD 1/4-20 X 0.500 S.STEEL	\$3.00
4	6		1022351	WASHER FLAT 1/4" ID .257 OD 0.50 THK S.STEEL	\$1.50
5	1		1028888	BACK FRAME HANDLE WELDMENT 18"	\$350.00
	1		1028889	BACK FRAME HANDLE WELDMENT 20"	\$350.00
	1		1028890	BACK FRAME HANDLE WELDMENT 22"	\$350.00
	1		1028891	KIT, AQUA FC - BACK ASSEMBLY 18"	\$650.00
	1		1028892	KIT, AQUA FC - BACK ASSEMBLY 20"	\$650.00
	1		1028893	KIT, AQUA FC - BACK ASSEMBLY 22"	\$650.00

NOTES:

ARMREST

AQUA FC – CANTILEVER ARMRESTS



AQUA FC CANTILEVER ARMREST –TABLE

ITEM		QTY	PART NO.	DESCRIPTION	PRICE/ UNIT
1		1	1000392	1 INCH TUBE PLUG	\$2.50
2		1	1000787	ACORN NUT , 1/4-20 STAINLESS STEEL 0.51 HIGH	\$2.50
3		1	1002673	GEL ARM PAD LEFT	\$75.00
			1002672	GEL ARM PAD RIGHT	\$75.00
			1009116	RIGHT ARM WELDMENT ELECTROPOLISHED	\$250.00
4	A	1	1009115	LEFT ARM WELDMENT ELECTROPOLISHED	\$250.00
			1009113	COMMODE ARM LATCH RIGHT	\$26.80
5		1	1009121	COMMODE ARM LATCH LEFT	\$26.80
			1009134	COMMODE ARM LATCH SPRING-RIGHT	\$3.00
6		1	1009133	COMMODE ARM LATCH SPRING-LEFT	\$3.00
7		2	1009143	10/32X 1-1/4" BUTTONSOC HEAD S.S. SCREW	\$3.00
8		1	1009144	1/4-250X7/8" BUTTONSOC HEAD S.S. SCREW	\$3.00
9		1	1009145	SPRING PIN S.S. 1/8" DIA X" LG	\$3.00
		1	1009147	ARMREST RIGHT ASSY KIT (ITEM 1-9)	\$370.00
		1	1009148	ARMREST LEFT ASSY KIT (ITEM (1-9)	\$370.00

NOTES:

AQUA FC LEGREST ASSEMBLY



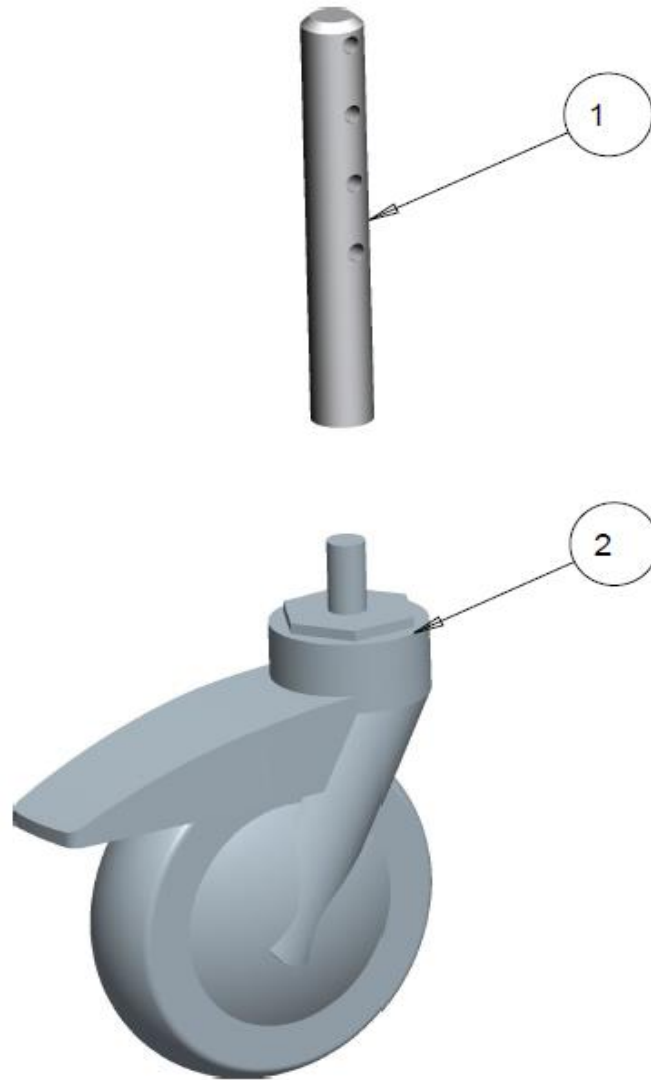
AQUA FC LEGREST ASSEMBLY – TABLE

ITEM	NOTE	QTY	PART NO.	DESCRIPTION	PRICE/ UNIT
1		1	1000014	NUT, HEX, NYLOCK 1/4-20 NC	\$2.00
2		1	1000018	ROUND PLUG TUBE	\$2.50
3		1	1000492	SCREW, SOCKET HEAD CAP, 1/4-20X2.1/2	\$3.00
4		2	1000904	DIA. 0.75 COVERED SPACER , 0.25" BOLT	\$2.50
5		1	1001222	SLIDE BUSHING 0-875 TO0.75 SIMPLE	\$5.00
6		1	1001444	FOOTPLATE, FLIP-UP, COMPOSITE MEDIUM	\$50.00
7	A	1	1009126	FOOTREST HANGER ELECTROPOLISHED	\$200.00
7	A	1	1009126	FOOTREST HANGER WHITE	\$140.00
8		1	1009130	BRACE SADDLE	\$14.00
9		1	1009131	FOOTREST EXTENSION	\$35.70
10		1	1009132	LOCKING SLUG	\$10.00
11		1	1009141	#6X1/2" SELF TAPPING SCREW	\$3.00
12		1	1009149	1/4-20X 1/2" BUTTON SOC HEAD S.S. SCREW	\$3.00
	A		1009175	RIFGT LEG ASSEMBLY KIT ELECTROPOLISHED (ITEM 1-12)	\$150.00
	A		1009175	RIFGT LEG ASSEMBLY KIT WHITE (ITEM 1-12)	\$100.00
	A		1009176	LEFT LEG ASSEMBLY KIT ELECTROPOLISHED (ITEM 1-12)	\$150.00
	A		1009176	LEFT LEG ASSEMBLY KIT WHITE (ITEM 1-12)	\$100.00

NOTES:

CASTERS

AQUA FC CASTER STEM ASSEMBLY



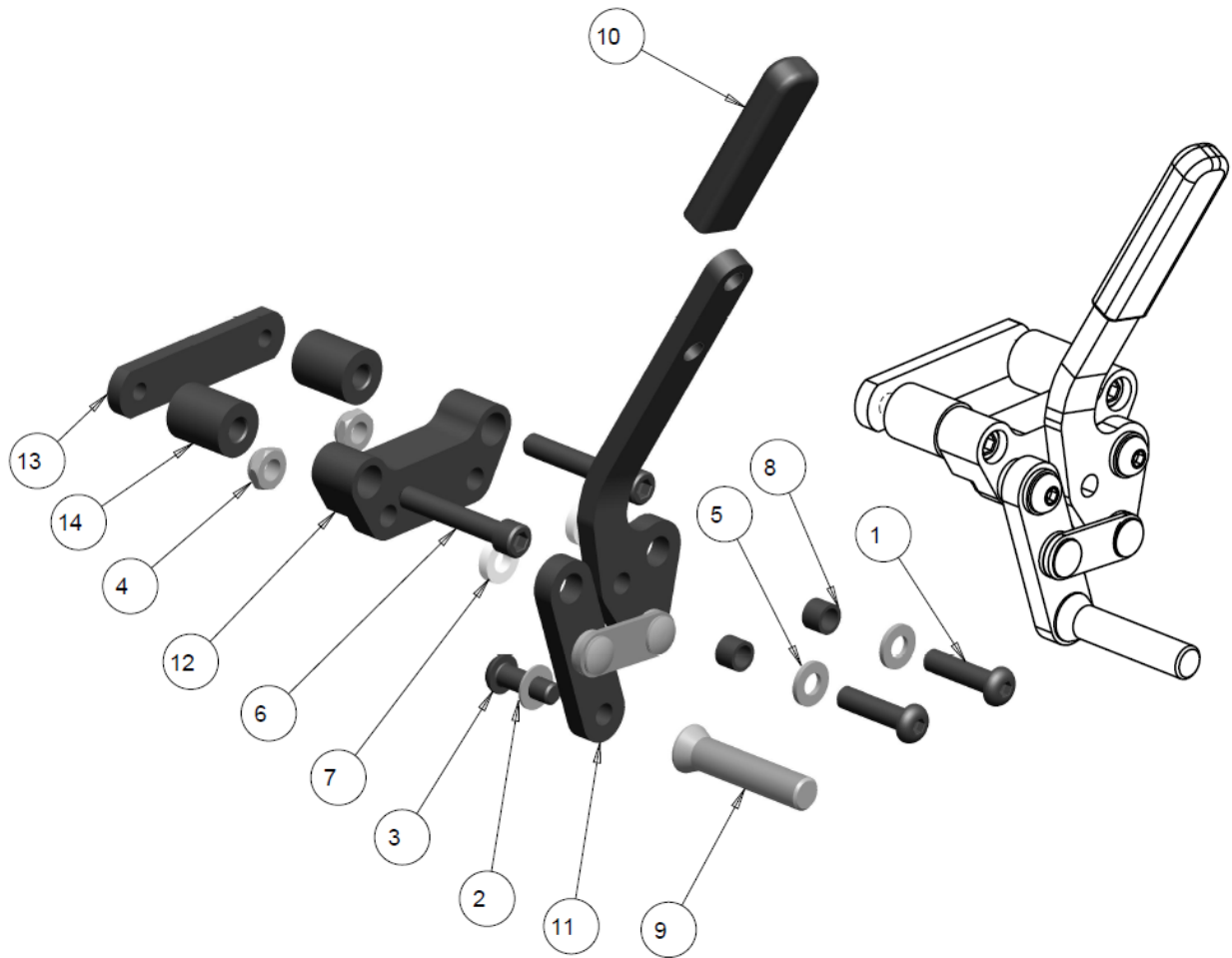
AQUA FC CASTER STEM ASSEMBLY – TABLE

ITEM	QTY	NOTES	PART NO.	DESCRIPTION	PRICE/ PER UNIT
1	1		1009173	CASTER STEM	\$50.00
2	1		1009178	TENTE CASTER 51	\$100.00
			1009139	CASTER STEM ASSEMBLY KIT (ITEM 1-2)	\$124.00

NOTES:

WHEEL LOCKS

AQUA FC – LIGHT PUSH REAR WHEEL LOCKS



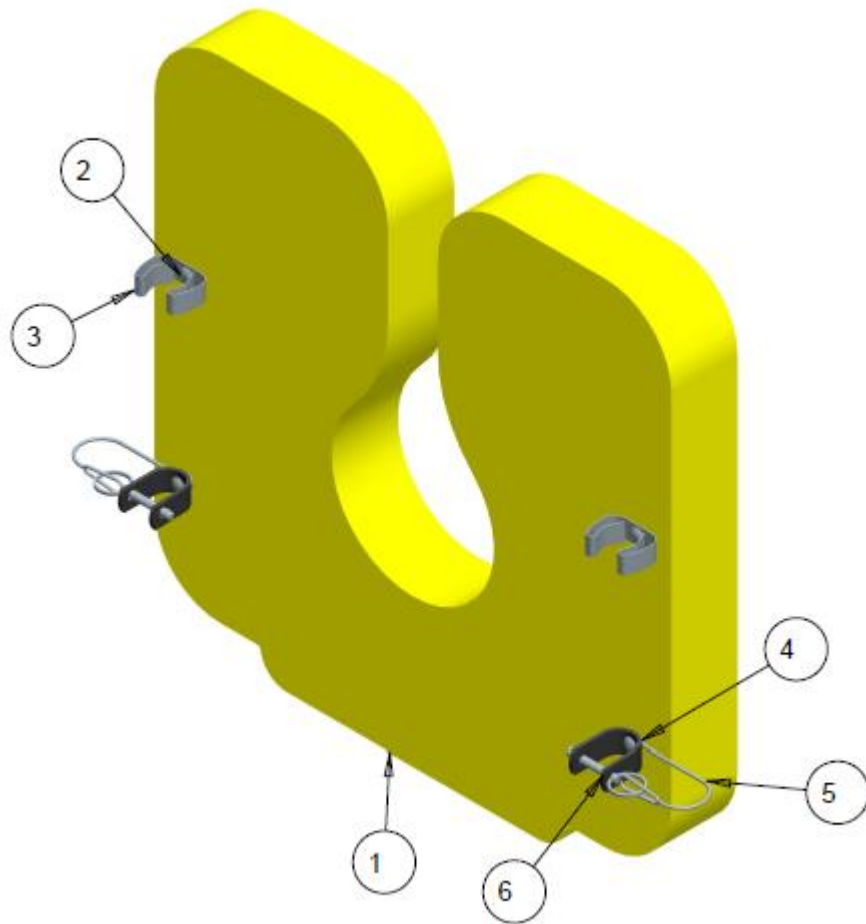
AQUA FC – LIGHT PUSH REAR WHEEL LOCKS - TABLE

ITEM	QTY	NOTES	PART NO.	DESCRIPTION	PRICE/ UNIT
1	2		1005364	SCREW, SOCKET HEAD BUTTON 1/4-28 x 1.00 BLK	\$3.00
2	1		1000027	WASHER .260 ID .500 OD .031 THK	\$3.00
3	1		1001391	SCREW, SOCKET HEAD BUTTON, 1/4-20NC X 3/4	\$3.00
4	2		1001531	NUT, HEX-NYLOCK THIN, 1/4-28	\$2.00
5	2		1001757	NYLON WASHER ID .252, OD .500, THK .060	\$1.50
6	2		1001758	SCREW, SOCKET HEAD CAP, 1/4-20NC X 1 1/2	\$3.00
7	2		1001766	SPACER, NYLON 1/4 OD .50 ID .257 THK .125	\$2.50
8	2		1015321	SLEEVE BUSHING	\$3.00
9	1		1021867	STEEL KNURLED BRAKE SHOE	\$12.00
10	1		1021884	RECTANGULAR ROUND END CAP	\$3.50
11	1		1024951	PUSH TO LOCK LINKS, RT	\$36.00
	1		1027120	STEEL PUSH TO LOCK LINKS, RT	\$36.00
	1		1024953	PUSH TO LOCK LINKS, LT	\$36.00
	1		1027121	STEEL PUSH TO LOCK LINKS, LT	\$36.00
12	1		1025052	WHEEL LOCK MID BRACKET	\$39.00
13	1		1025053	WHEEL LOCK MID BRACKET PLATE	\$7.00
14	2		1025080	WHEEL LOCK SPACER BUSHING 0.75	\$7.00
	1		1025081	KIT, COMPLETE PUSH EXTENDED SLIDE ON RT (ITEMS 1-14)	\$112.00
	1		1025082	KIT, COMPLETE PUSH EXTENDED SLIDE ON LT (ITEMS 1-14)	\$112.00
	1		1027129	KIT, COMPLETE STEEL PUSH EXTENDED SLIDE ON RT (ITEMS 1-14)	\$112.00
	1		1027130	KIT, COMPLETE STEEL PUSH EXTENDED SLIDE ON LT (ITEMS 1-14)	\$112.00

NOTES:

SEAT

AQUA FC – SEAT CUSHION



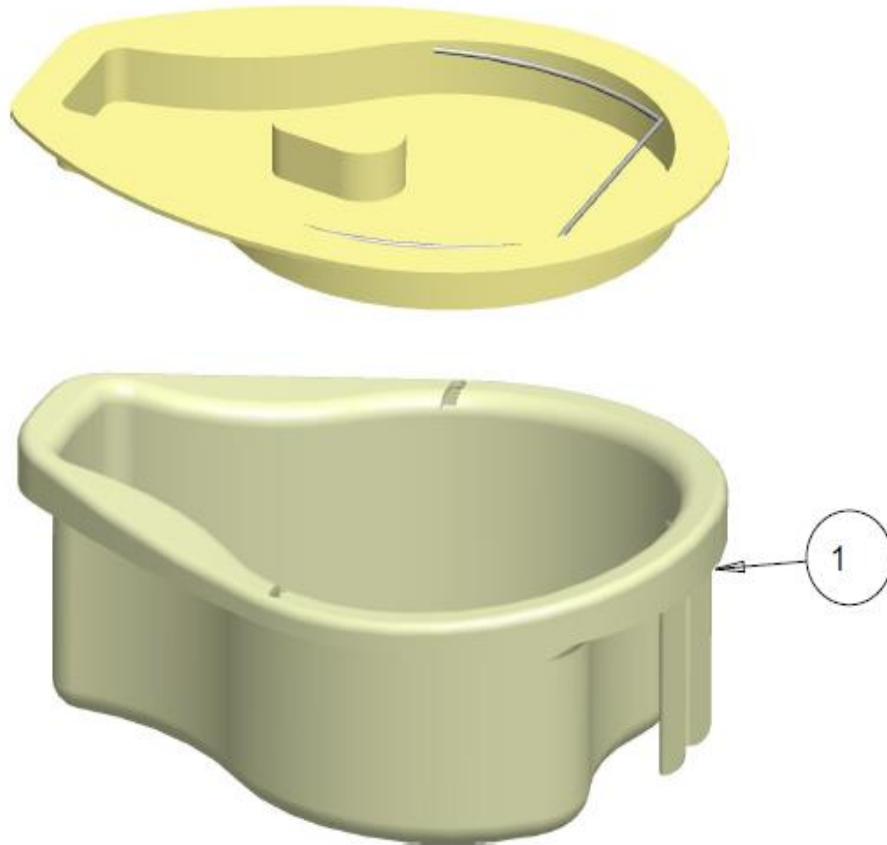
AQUA FC SEAT - TABLE

ITEM	QTY	NOTES	PART NO.	DESCRIPTION	PRICE/ PER UNIT
1	1		1009160	REGULAR COMMODE SEAT FOAM GENERAL	\$300.00
2	4		1009162	1/4-20X3/4" BUTTON SOC HEAD SS SCREW	\$3.00
3	2		1009174	SEAT LOCK	\$8.00
4	2		1013808	COMMODE SEAT HOLDING CLAMP	\$17.50
5	2		1016655	PLASTIC LANYARD 6" LG X .260 EYELIT	\$3.00
6	2		1016656	S.S QUICK RELEASE PIN W/O SHOULDER	\$7.50
	1		1009160	SEAT WITH UPHOLSTERY SIZE 17"	\$300.00
	1		1012126	SEAT WITH UPHOLSTERY SIZE 20"	\$300.00
	1		1012127	SEAT WITH UPHOLSTERY SIZE 22"	\$300.00
	1		1022185	COMPLETE SEAT HARDWARE CLIPS, KIT (ITEMS 2 - 6)	\$66.00
	1		1009123	COMPLETE SEAT ASS'Y 17", KIT (ITEMS 1 -6)	\$325.00
	1		1012124	COMPLETE SEAT ASS'Y 20", KIT (ITEMS 1 -6)	\$325.00
	1		1012125	COMPLETE SEAT ASS'Y 22", KIT (ITEMS 1 - 6)	\$325.00
		B19760-19774			

NOTES: SPECIFY SIZE

POTTY

AQUA FC – COMMODE POTTY



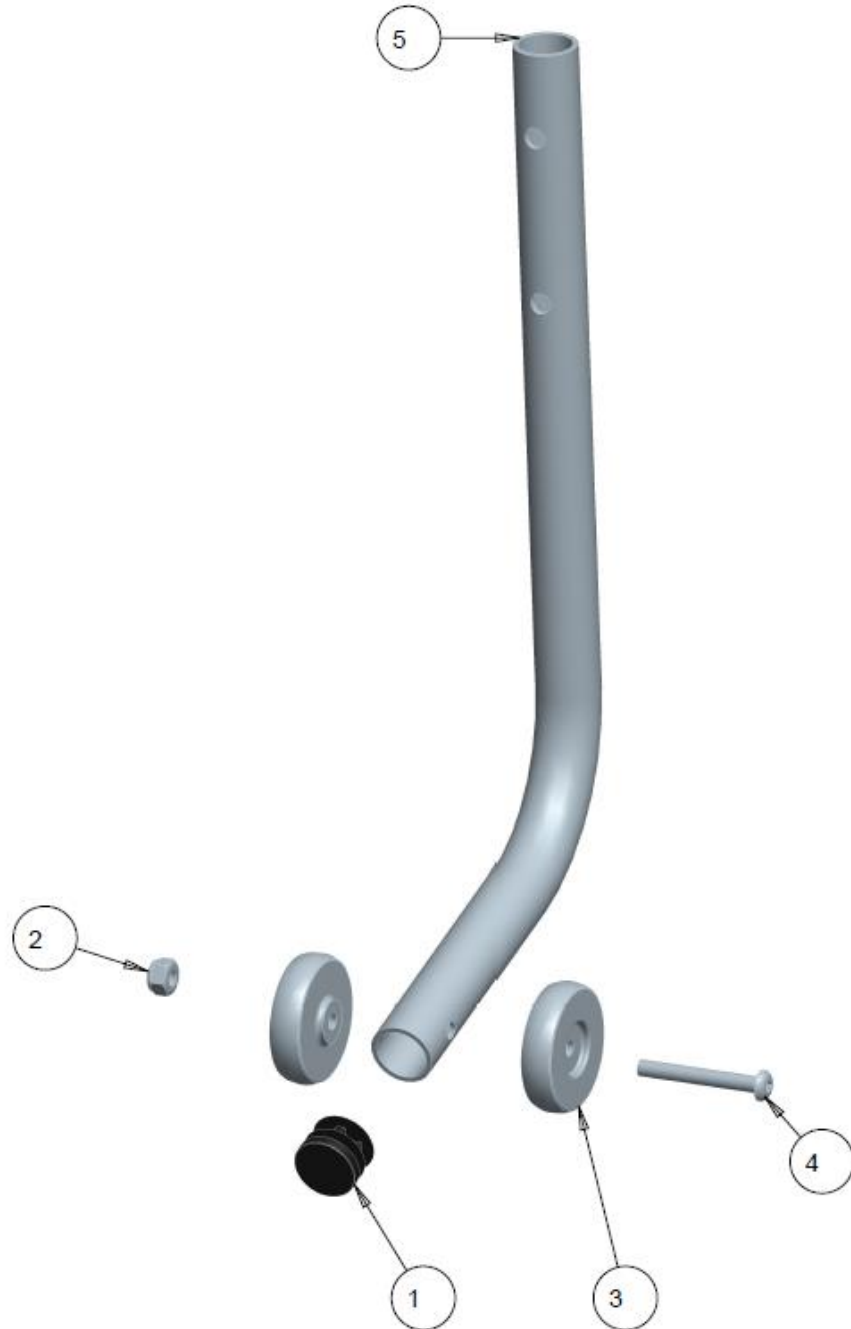
AQUA FC COMMODE POTTY - TABLE

ITEM	NOTE	QTY	PART NO.	DESCRIPTION	PRICE/ UNIT
1		1	1009168	POTTY WITH LID INCLUDED	\$175.00

NOTES:

ANTI-TIPPERS

AQUA NT – ANTI-TIPPERS SELF PROPELLED COMMODE



AQUA FC ANTI-TIPPER - TABLE

ITEM	QTY	NOTES	PART NO.	DESCRIPTION	PRICE/ UNIT
1	1		REF	ROUND PLUG TUBE	
2	1		REF	NUT, HEX-NYLOCK #10-32, BLACK	
3	2		REF	WHEEL , ANTI TIP	
4	1		REF	SCREW, SOCKET HEAD BUTTON, 10-32X1.1/2 BLACK	
5	1		REF	ANTI TIP TUBE	
	2		1029141	KIT, AQUA FC ANTI TIP	\$40.00

NOTES:

WHEELS



REAR WHEEL, COMPOSITE WHEEL ASSEMBLY - TABLE

ITEM	NOTES	QTY	PART NO.	DESCRIPTION	PRICE/ UNIT
1		1	1021931	24" WHEEL MAG COMPLETE SOLID TIRE SS HANDRIM	\$ 340.00
			1021947	24" WHEEL MAG COMPLETE PNEUMATIC TIRE SS HANDRIM	\$ 340.00
			1021948	24" WHEEL MAG COMPLETE SOLID TIRE VINYL HANDRIM	\$ 340.00
			1021949	24" WHEEL MAG COMPLETE PNEUMATIC TIRE VINYL HANDRIM	\$ 340.00
2		1	1021932	22" WHEEL MAG COMPLETE SOLID TIRE SS HANDRIM	\$ 340.00
			1021950	22" WHEEL MAG COMPLETE PNEUMATIC TIRE SS HANDRIM	\$ 340.00
			1021951	22" WHEEL MAG COMPLETE SOLID TIRE VINYL HANDRIM	\$ 340.00
			1021952	22" WHEEL MAG COMPLETE PNEUMATIC TIRE VINYL HANDRIM	\$ 340.00
3		1	1021933	20" WHEEL MAG COMPLETE SOLID TIRE SS HANDRIM	\$ 340.00
			1021953	20" WHEEL MAG COMPLETE PNEUMATIC TIRE SS HANDRIM	\$ 340.00
			1021954	20" WHEEL MAG COMPLETE SOLID TIRE VINYL HANDRIM	\$ 340.00
			1021955	20" WHEEL MAG COMPLETE PNEUMATIC TIRE VINYL HANDRIM	\$ 340.00
4		1	1021934	18" X 1.75" REAR WHEEL MAG COMPLETE ASS'Y	\$ 320.00
5		1	1021935	16" X 1.75" REAR WHEEL MAG COMPLETE ASS'Y	\$ 300.00
6		1	1021936	12" X 2" REAR WHEEL MAG COMPLETE ASS'Y	\$ 130.00

NOTES: SPECIFY SIZE