



CANADA

USA

6750 Professional Court, Mississauga,
Ontario, L4V 1X6



11126 Greenstone Ave, Santa Fe Springs
CA 90670

1-888-737-4011



1-888-342-3119

www.futuremobility.ca



www.futuremobility.com

PARTS MANUAL



REHAB COMMODE by FUTURE MOBILITY

NT

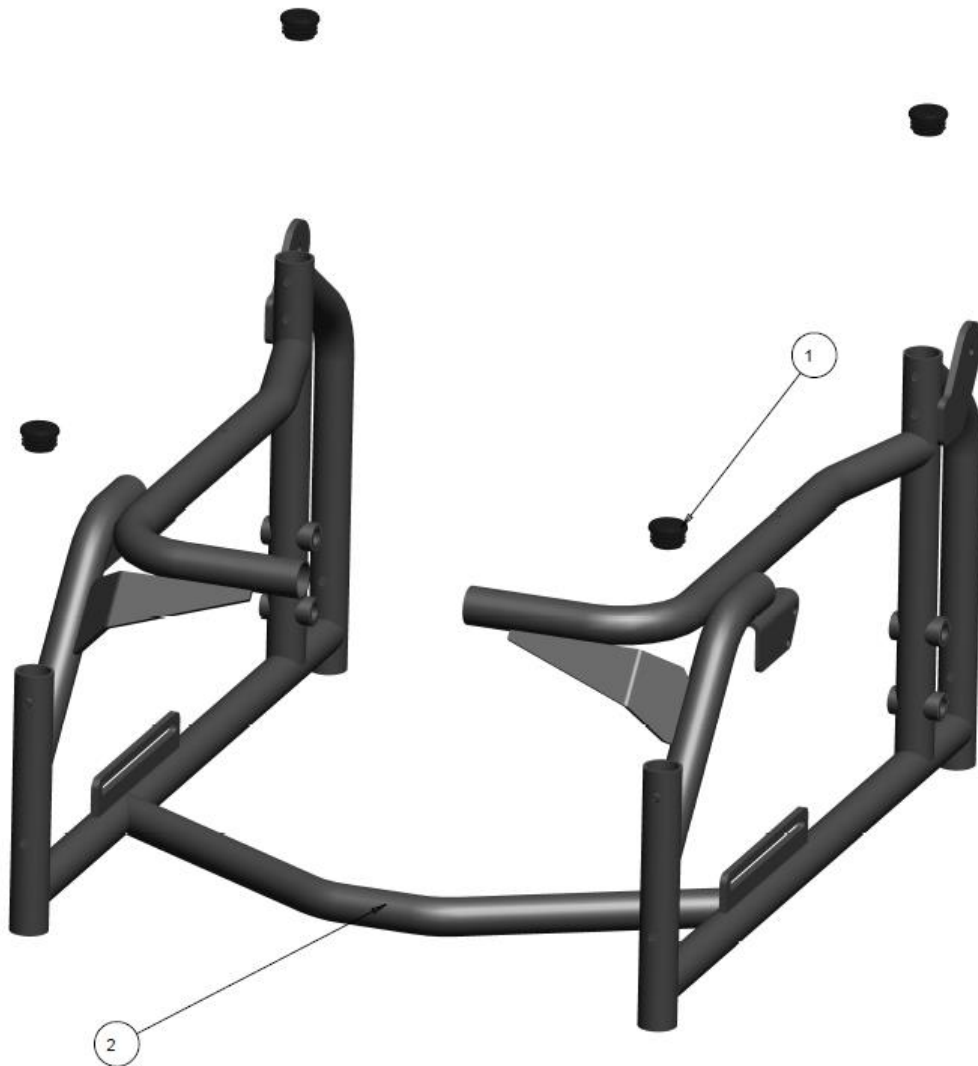
* Part prices and configurations included in this Parts Manual are subject to change without prior notice.
* All prices are shown as per unit individual price.

Contents

FRAMES.....	5
AQUA NT FRAME ASSY	5
SEAT	7
AQUA NT – SEAT CUSHION	7
POTTY.....	9
AQUA NT – COMMODOE POTTY.....	9
ANTI-TIPPERS	11
AQUA NT – ANTI-TIPPERS SELF PROPELLED COMMODOE	11
CASTERS	13
AQUA NT – TENTE CASTERS POLYPROPLYENE.....	13
WHEEL LOCKS.....	15
AQUA NT – REAR WHEEL LOCKS.....	15
ARM RESTS AND PUSHBAR	17
AQUA NT – CANTILEVER ARMRESTS	17
AQUA NT –STAINLESS FLIPBACK ARMRESTS.....	19
AQUA NT –FLIPBACK ARMRESTS AND PUSHBAR	21
RIGGINGS AND FOOTPLATES	23
AQUA NT – SWINGAWAY LEGRESTS 50 AND 70 DEGREES	23
UPHOLSTERY	25
AQUA NT – BACK UPHOLSTERY.....	25

FRAMES

AQUA NT FRAME ASSY



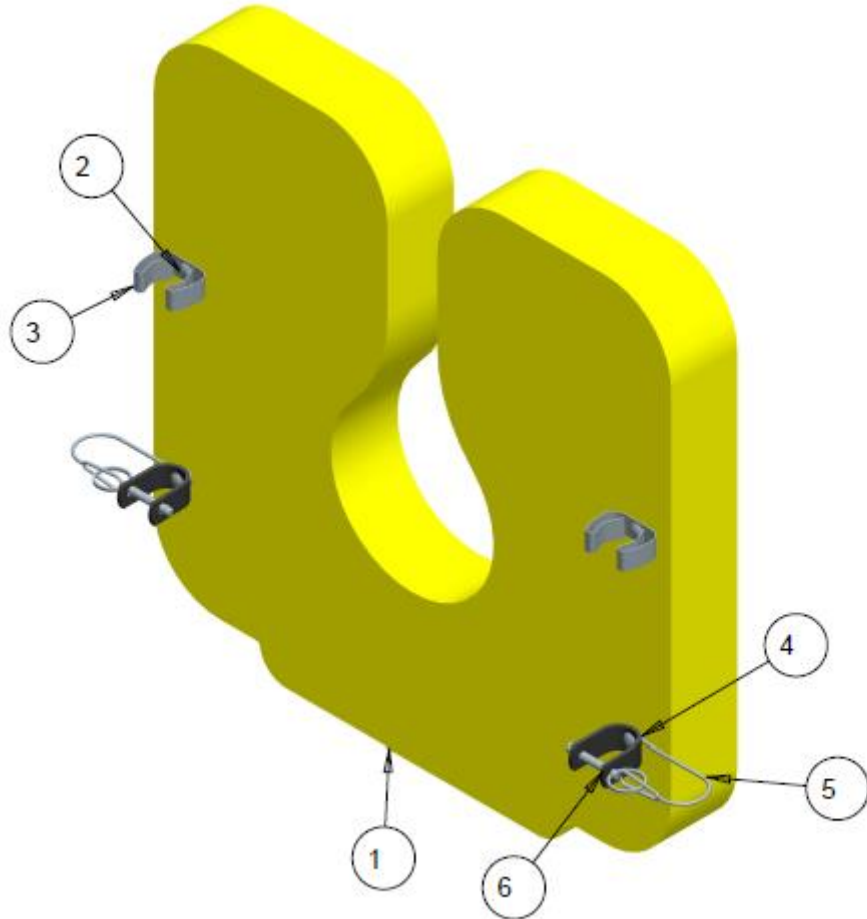
AQUA NT FRAME - TABLE

ITEM	QTY	NOTES	PART NO.	DESCRIPTION	PRICE/ PER UNIT
1	4		1000392	1INCH TUBE PLUG	\$3.00
2	1		1013565	FIXED FRAME COMMODE 18" WIDE	\$1,064.00
	1		1013426	FIXED FRAME COMMODE 20" WIDE	\$1,064.00
	1		1013566	FIXED FRAME COMMODE 22" WIDE	\$1,064.00
		B19725- 19730			

NOTES: A - SELECT FINISH

SEAT

AQUA NT – SEAT CUSHION



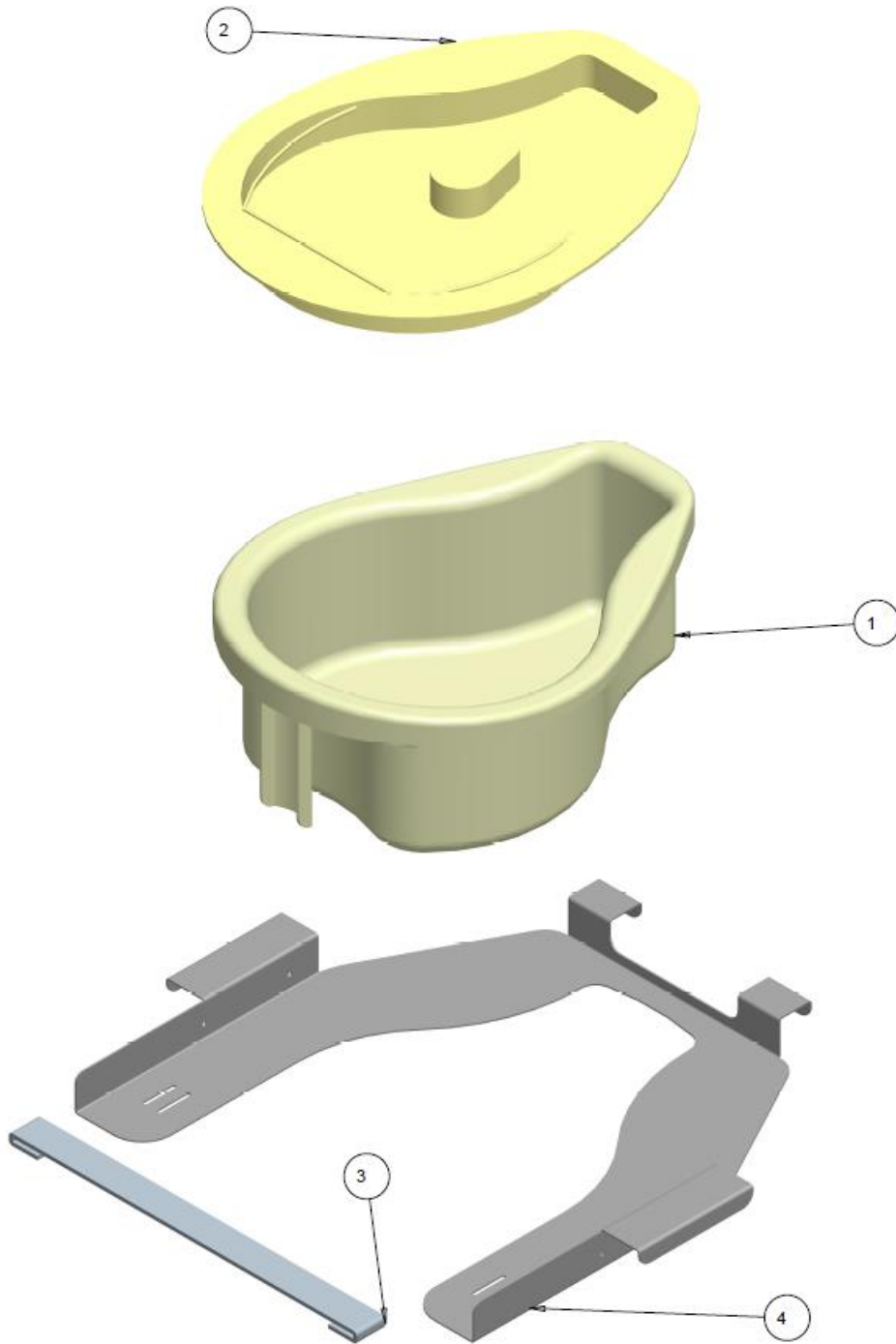
AQUA NT SEAT - TABLE

ITEM	QTY	NOTES	PART NO.	DESCRIPTION	PRICE/ PER UNIT
1	1		1009160	REGULAR COMMODE SEAT FOAM GENERAL	\$300.00
2	4		1009162	1/4-20X3/4" BUTTON SOC HEAD SS SCREW	\$3.00
3	2		1009174	SEAT LOCK	\$8.00
4	2		1013808	COMMODE SEAT HOLDING CLAMP	\$17.50
5	2		1016655	PLASTIC LANYARD 6" LG X .260 EYELIT	\$3.00
6	2		1016656	S.S QUICK RELEASE PIN W/O SHOULDER	\$7.50
	1		1009160	SEAT WITH UPHOLSTERY SIZE 17"	\$300.00
	1		1012126	SEAT WITH UPHOLSTERY SIZE 20"	\$300.00
	1		1012127	SEAT WITH UPHOLSTERY SIZE 22"	\$300.00
	1		1022185	COMPLETE SEAT HARDWARE CLIPS, KIT (ITEMS 2 - 6)	\$66.00
	1		1009123	COMPLETE SEAT ASS'Y 17", KIT (ITEMS 1 -6)	\$325.00
	1		1012124	COMPLETE SEAT ASS'Y 20", KIT (ITEMS 1 -6)	\$325.00
	1		1012125	COMPLETE SEAT ASS'Y 22", KIT (ITEMS 1 - 6)	\$325.00
		B19760-19774			

NOTES:

POTTY

AQUA NT – COMMODE POTTY



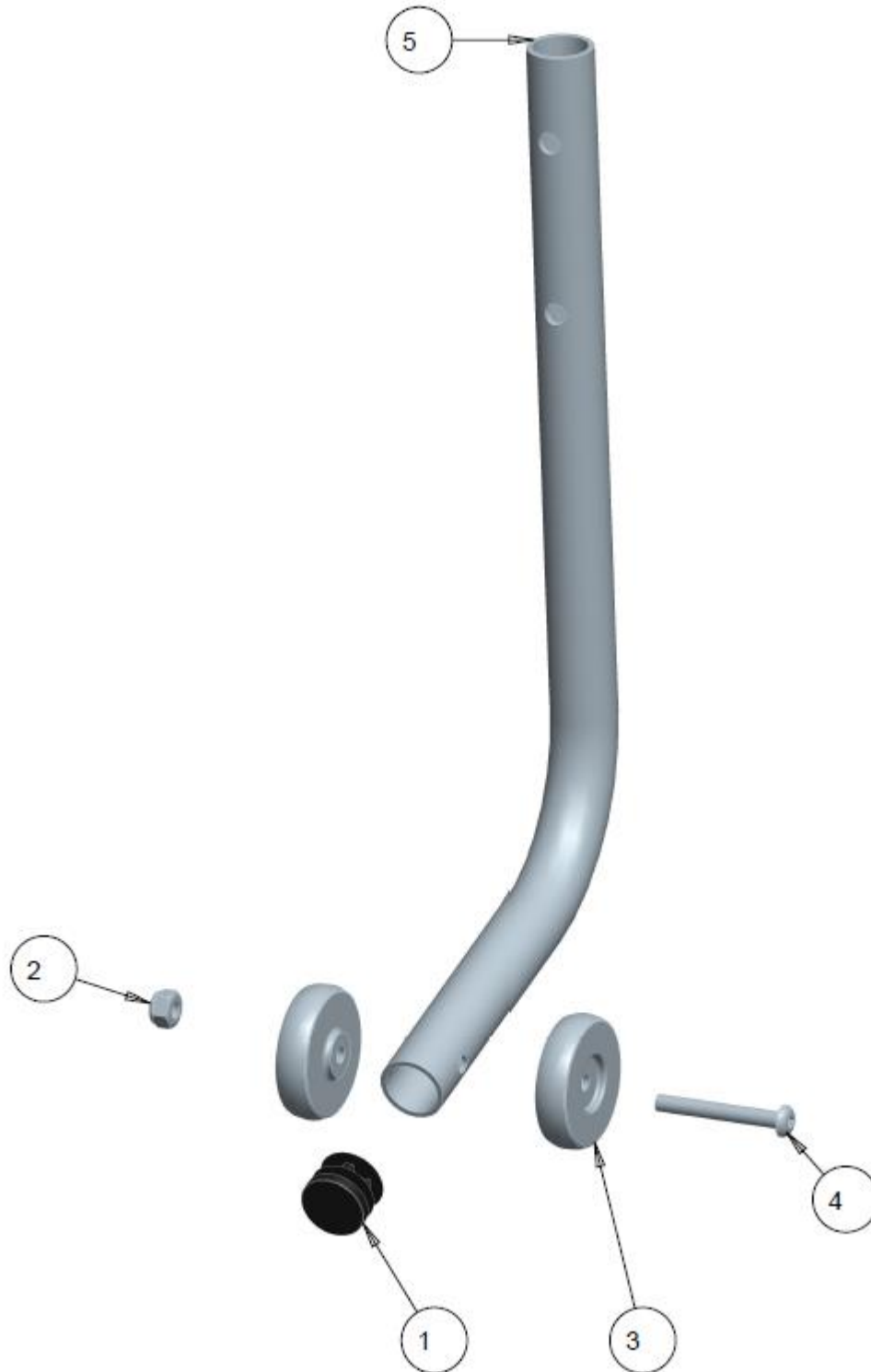
AQUA NT COMMODE POTTY - TABLE

ITEM	QTY	NOTES	PART NO.	DESCRIPTION	PRICE/ PER UNIT
1	1		1009168	POTTY	\$175.00
2	1		1009169	LID POTTY	\$90.00
3	1		1009187	POTTY STRAP	\$10.00
4	1		1012135	POTTY RECEIVER SHELF 18"	\$200.00
	1		1009165	POTTY RECEIVER SHELF 20"	\$200.00
	1		1015136	POTTY RECEIVER SHELF 22"	\$200.00
		B19795- 19802			

NOTES:

ANTI-TIPPERS

AQUA NT – ANTI-TIPPERS SELF PROPELLED COMMODE



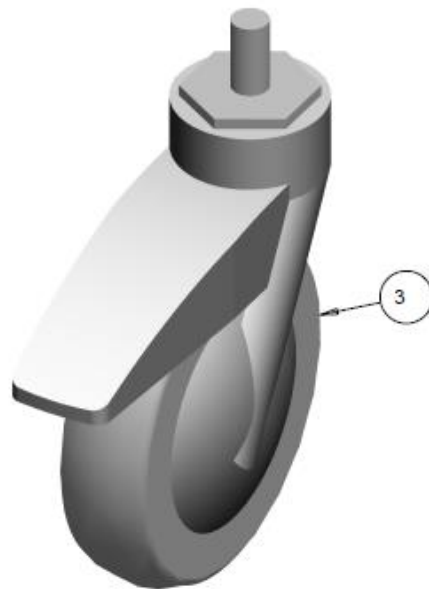
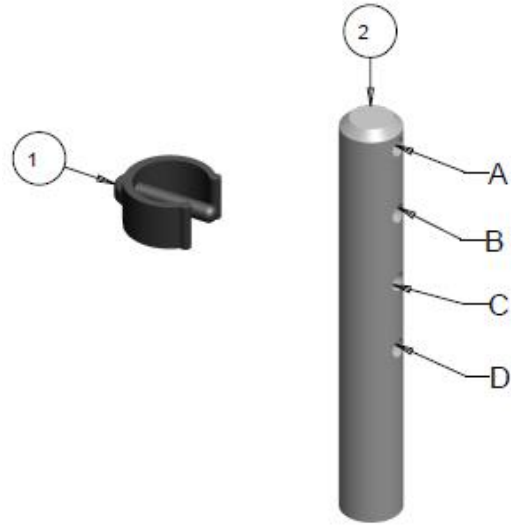
AQUA NT ANTI-TIPPER - TABLE

ITEM	QTY	NOTES	PART NO.	DESCRIPTION	PRICE/ PER UNIT
1	1		1000018	ROUND PLUG TUBE	\$2.50
2	1		1000194	NUT, HEX-NYLOCK #10-32, BLACK	\$2.50
3	2		1000408	WHEEL , ANTI TIP	\$4.17
4	1		1000972	SCREW, SOCKET HEAD BUTTON, 10-32X1.1/2 BLACK	\$3.00
5	1		1009140	ANTI TIP TUBE	N/A
		B19830- 19836			

NOTES:

CASTERS

AQUA NT – TENTE CASTERS POLYPROPLYENE



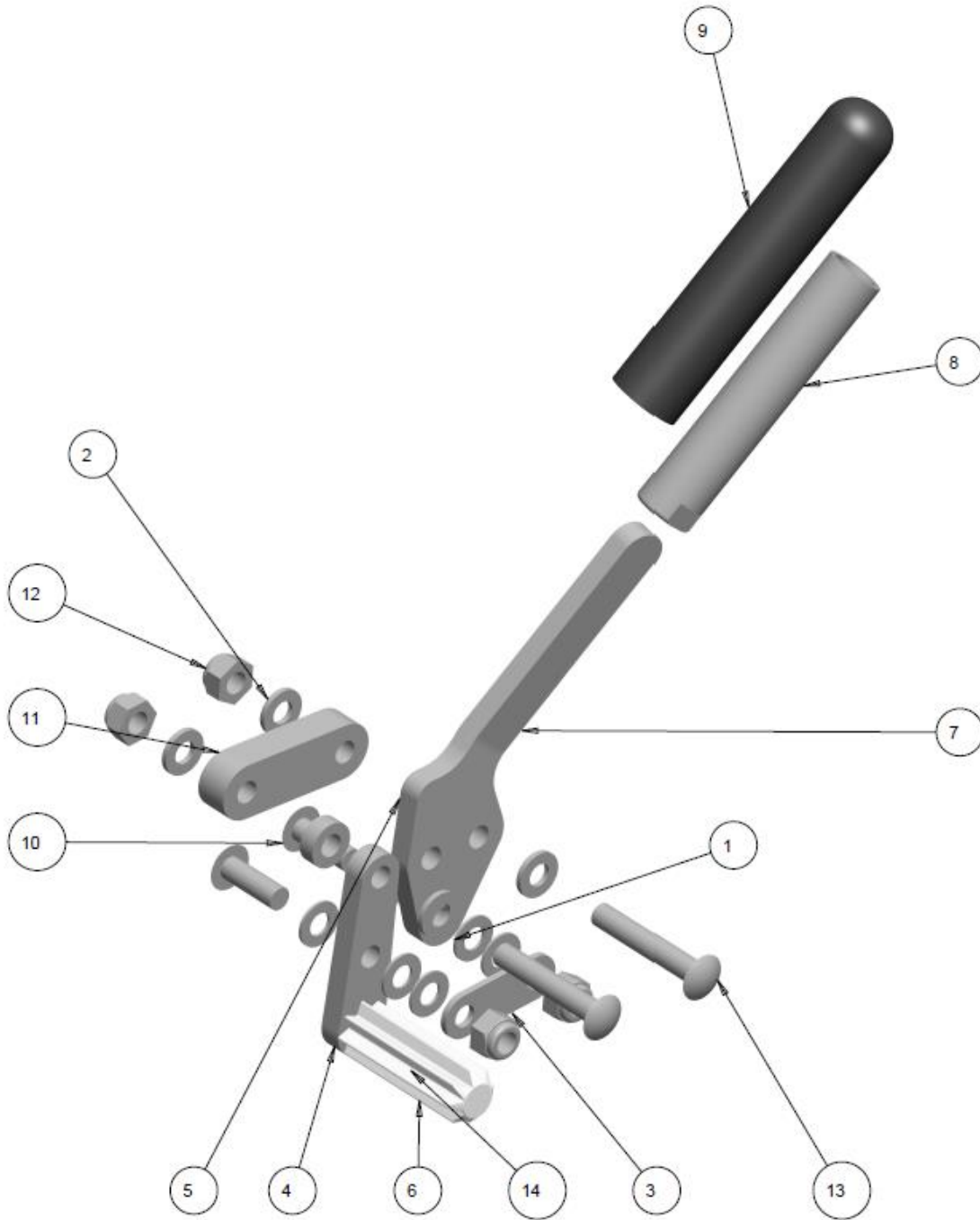
AQUA NT CASTERS - TABLE

ITEM	QTY	NOTES	PART NO.	DESCRIPTION	PRICE/ PER UNIT
1	1		1009125	SNAP CLIP 1.00 DIA	\$8.50
2	1		1009173	CASTER STEM	\$50.00
3	1		1009178	TENTE CASRTER	\$100.00
		B19865- 19869			

NOTES:

WHEEL LOCKS

AQUA NT – REAR WHEEL LOCKS



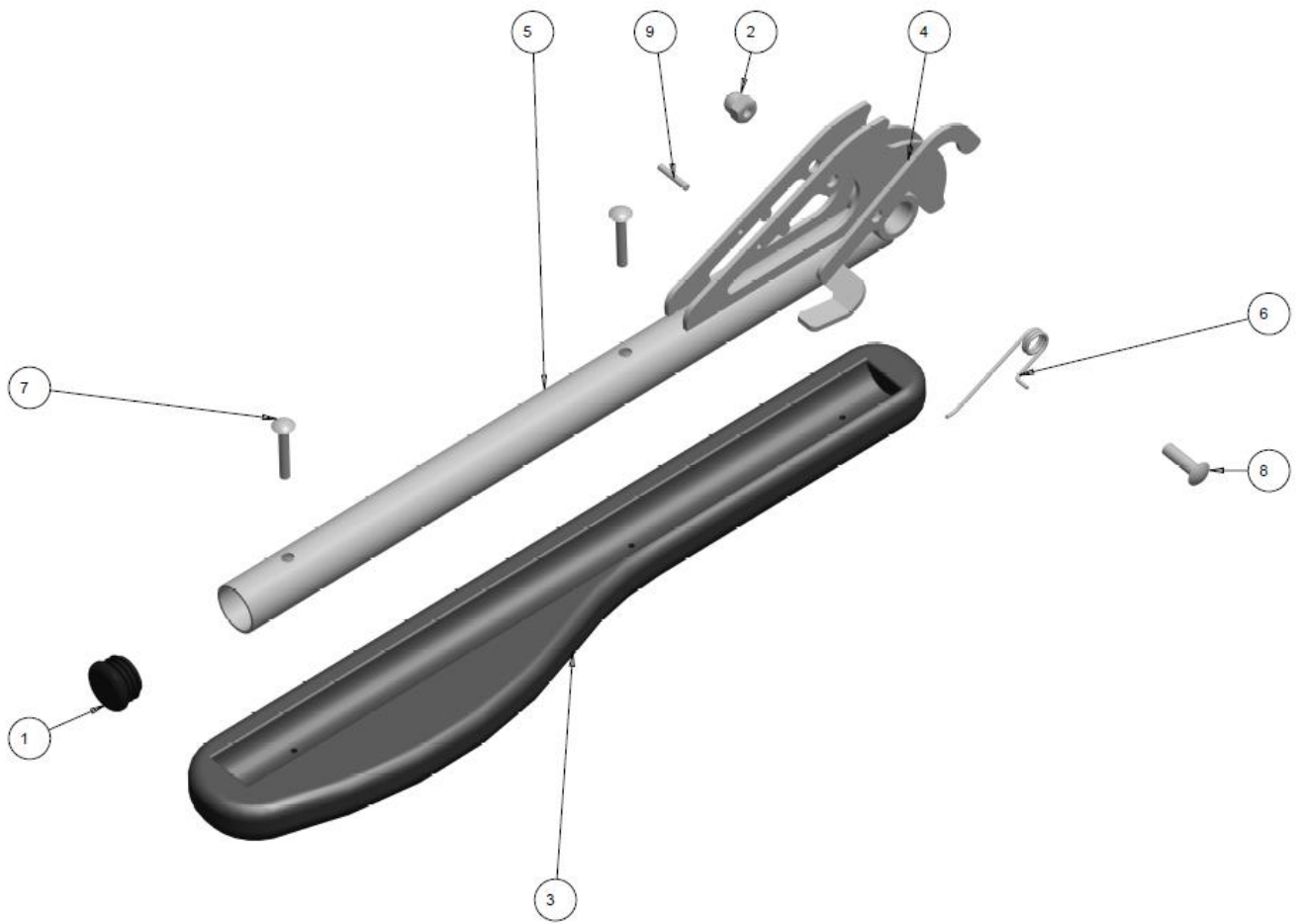
AQUA NT REAR WHEEL LOCKS - TABLE

ITEM	QTY	NOTES	PART NO.	DESCRIPTION	PRICE/ PER UNIT
1	6		1000027	WASHER FLAT 1/4", ID-.257, OD-0.50, THK .032	\$2.00
2	4		1001757	WASHER FLAT 1/4, ID .252, OD, .500, THK.060	\$1.50
3	1		1005333	WHEEL LOCK COUNTER LINK, PUSH	\$12.00
4	1		1005334	WHEEL LOCK HANDING LINK	\$21.00
5	2		1005339	SPACER-NYLON1/4 OD.50	\$2.00
6	1		1007232	STAR STYLE BRALE SHOE	\$12.00
7	1		1007263	PUSH TO LOCK HANDLE WELDMENT RIGHT	\$40.00
8	1		1008622	BRAKE EXTENSION WELDMENT ALUMINUM	\$48.00
9	1		1008623	FOAM GRIP .625X3"LG 0.065 THK	\$3.00
10	2		1009162	1/4-20X3/4" BUTTON SOC HEAD SS SCREW	\$3.00
11	1		1009171	BRAKE SPACER	\$10.00
12	4		1009180	NYLOCK THICK 1/4-20 SS	\$2.00
13	2		1009181	1/4-20X1-1/2" BUTTON SOC HEAD SS SCREW	\$3.00
14	1		1009182	1/4-20X1" BUTTON SOC HEAD SS SCREW	\$3.00
	1		1009183	RT BRAKE COMPLETE KIT (ITEMS 1 - 14)	\$95.00
	1		1009184	LT BRAKE COMPLETE KIT (ITEMS 1 - 14)	\$95.00
		B19900-19917			

NOTES:

ARM RESTS AND PUSHBAR

AQUA NT – CANTILEVER ARMRESTS

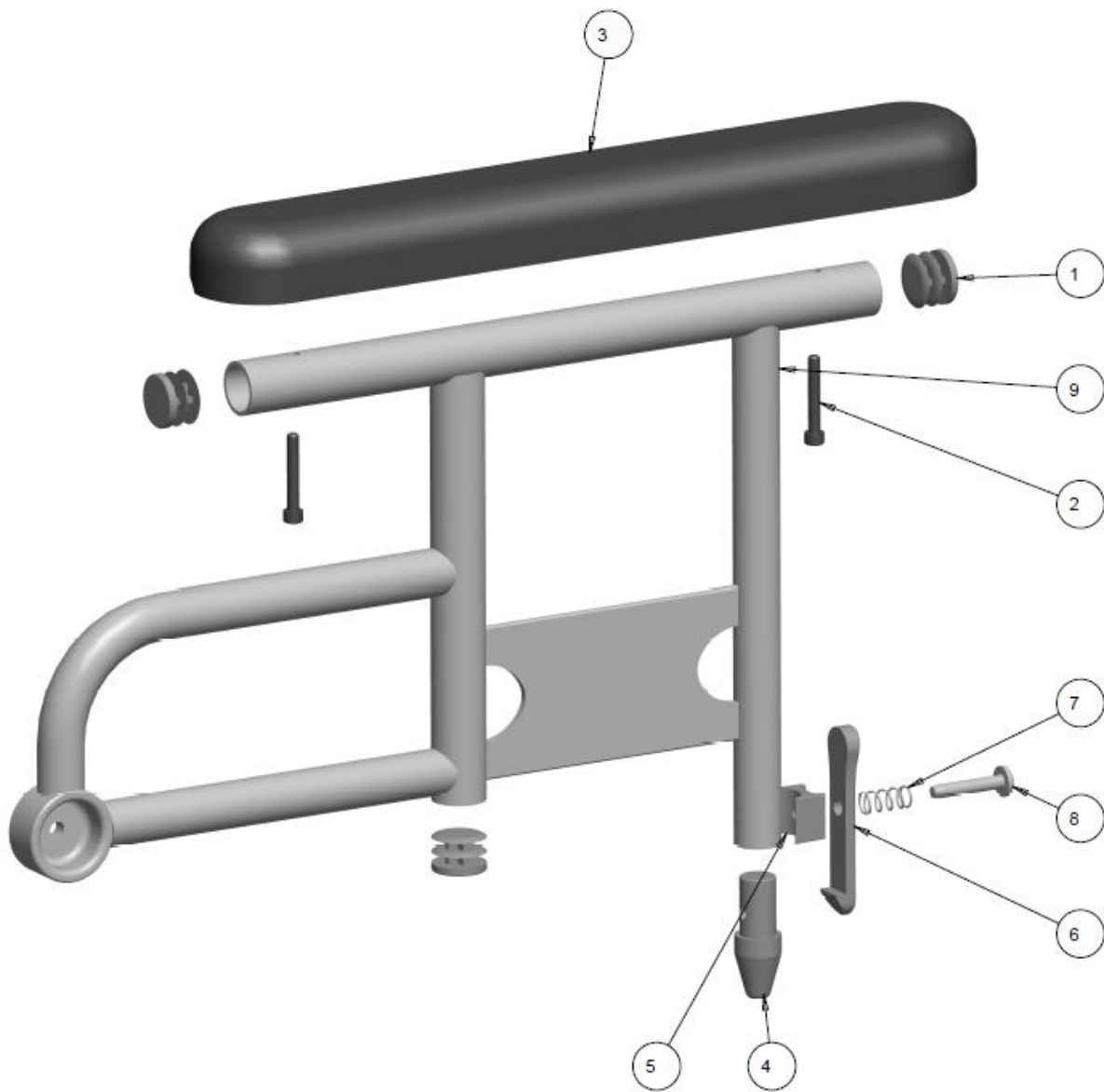


AQUA NT CANTILEVER ARMRESTS - TABLE

ITEM	QTY	NOTES	PART NO.	DESCRIPTION	PRICE/ PER UNIT
1	1		1000392	1 INCH TUBE PLUG	\$3.00
2	1		1000787	ACORN NUT 1 1/4-20 STAINLESS STEEL 0.51 HIGH	\$6.00
3	1		1002672	GEL ARM PAD RIGHT	\$75.00
4	1		1009113	COMMODE ARM LATCH RIGHT	\$26.80
5	1		1009116	RIGHT ARM WELDMENT	\$198.00
6	1		1009134	COMMODE ARM LATCH SPRING-RIGHT	\$3.00
7	2		1009143	10/32X 1-1/41 BUTTONSOC HEAD S.S. SCREW	\$3.00
8	1		1009144	1/4-250X7/81 BUTTONSOC HEAD S.S. SCREW	\$3.00
9	1		1009145	SPRING PIN S.S. 1/81 DIA X1 LG	\$3.00
	1		1009147	RIGHT SIDE COMPLETE ARM KIT (ITEMS 1 - 9)	\$292.00
	1		1009148	LEFT SIDE COMPLETE ARM KIT (ITEMS 1 - 9)	\$292.00
		B19935-19947			

NOTES:

AQUA NT –STAINLESS FLIPBACK ARMRESTS

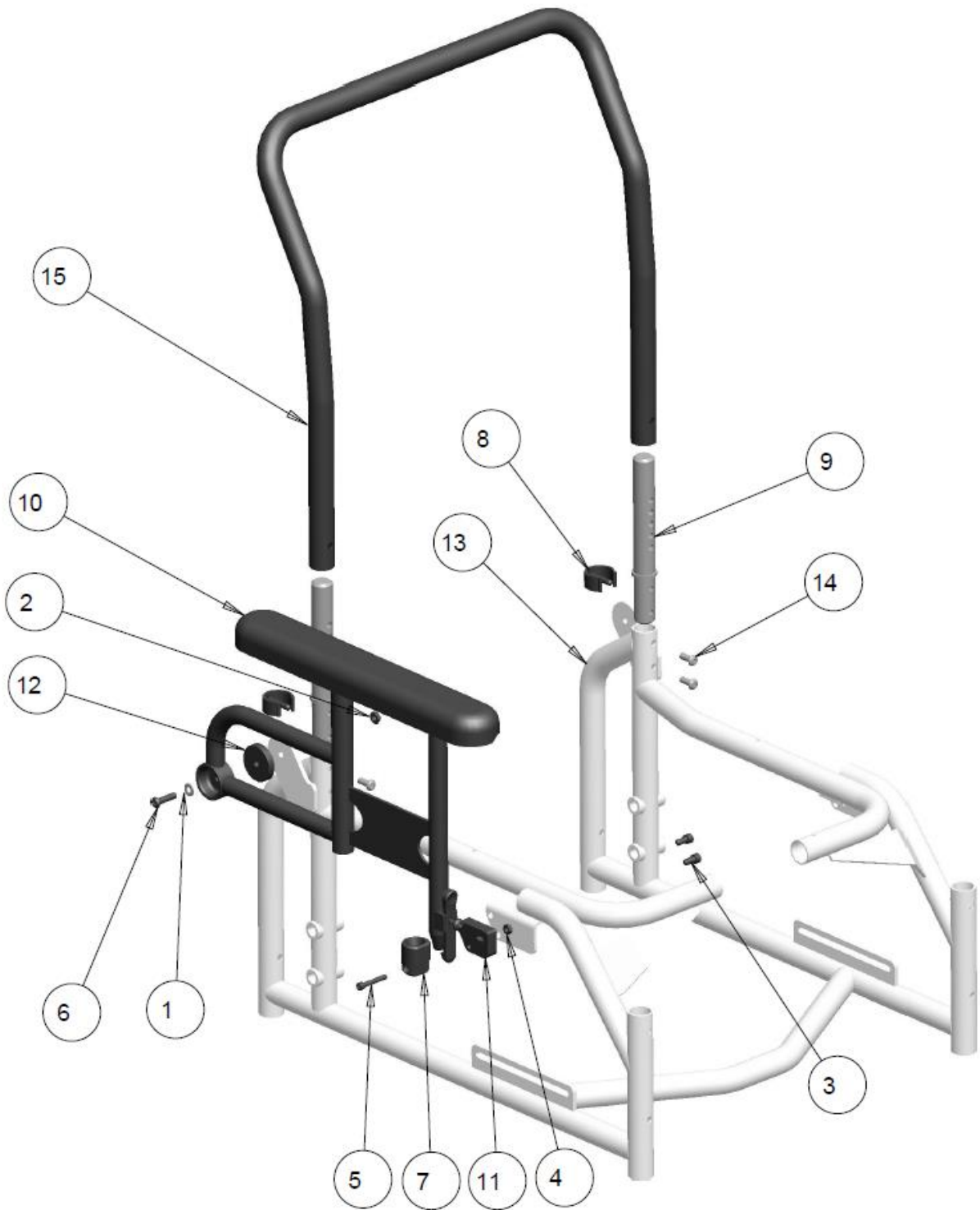


AQUA NT STAINLESS FLIPBACK ARM RESTS - TABLE

ITEM	QTY	NOTES	PART NO.	DESCRIPTION	PRICE/ PER UNIT
1	3		1000421	PLUG, UNIVERSAL BLACK 0.875 ROUND	\$2.50
2	2		1003348	SCREW, SOCKET HEAD CAP, 10-32NF X 1 1/8	\$5.00
3	1		1004179	ARMPAD FULL LENGTH VINYL	\$35.00
4	1		1001724	BULLET FLIP-BACK ARM	\$5.00
5	1		1001725	SPACER BLOCK, RELEASE LEVER	\$8.00
6	1		1001726	RELEASE LEVER	\$12.00
7	1		1001727	SPRING, COMP .36 OD X .75 LG .032 WIRE	\$3.00
8	1		1003413	TAPPING SCREW 1/4-20 X 1.25	\$3.00
9	1		1013417	FLIP-UP STAINLESS ARM-REST WELDMENT RT	\$215.00
	1		1013414	ARM FLIP BACK RIGHT COMPLETE KIT (ITEMS 1 - 9)	\$263.00
	1		1013415	ARM FLIP BACK LEFT COMPLETE KIT (ITEMS 1 - 9)	\$263.00
		B19970-19982			

NOTES:

AQUA NT –FLIPBACK ARMRESTS AND PUSHBAR



AQUA NT FLIPBACK ARMREST AND PUSHBAR – TABLE

ITEM	QTY	NOTES	PART NO.	DESCRIPTION	PRICE/ PER UNIT
1	1		1000027	WASHER FLAT 1/4", ID .257, OD 0.50, THK 0.032	\$2.00
2	1		1000397	NUT, HEX-NYLOCK THIN, 1/4-20NC	\$2.00
3	2		1000403	SCREW, SOC HD CAP, 1/4-20 X 0.5	\$3.00
4	1		1000410	NUT, HEX-NYLOCK THIN, #10-32NF	\$2.00
5	1		1001296	SCREW, SOCKET HEAD CAP, 10-32NF X 1 1/4	\$3.00
6	1		1001381	SOC HD SCREW 1/4-20 X 1.00	\$3.00
7	1		1001729	FRONT ARM RCVR RT	\$27.00
	1		1001730	FRONT ARM RCVR LT	\$27.00
8	2		1009125	SNAP CLIP 1.00 DIA	\$8.50
9	2		1009157	REAR TUBE HOLDER	\$75.00
10	1		1013414	FIXED FLIP-UP HEAVY ARM-REST ASSY RT SS	\$263.00
	1		1013415	FIXED FLIP-UP HEAVY ARM-REST ASSY LT SS	\$263.00
11	1		1012993	BRACKET MOUNT RCVR RT	\$40.00
	1		1013000	BRACKET MOUNT RCVR LT	\$40.00
12	1		1012996	SPACER DISK FLIP-UP ARM	\$9.00
13	1		REF	FIXED FRAME COMMODE GEN WIDTH	REF
14	4		1020549	SCREW, SOCKET HEAD BUTTON, 1/4-20NC X 5/8 S.STEEL	\$3.00
15	1	A	1030950	NT SIMPLE BACK 16" WIDE	\$255.00
	1	A	1030951	NT SIMPLE BACK 18" WIDE	\$255.00
	1	A	1030952	NT SIMPLE BACK 20" WIDE	\$255.00
	1	A	1030953	NT SIMPLE BACK 22" WIDE	\$255.00
	1	B	1018262	NT CANTILEVER MOUNT BACK 18" WIDE	\$404.00
	1	B	1022767	NT CANTILEVER MOUNT BACK 20" WIDE	\$404.00
	1	B	1022770	NT CANTILEVER MOUNT BACK 22" WIDE	\$404.00
		B20075			

NOTES:

A TO BE USED WITH FLIPBACK ARM STYLE

B TO BE USED WITH CANTILEVER ARM STYLE

RIGGINGS AND FOOTPLATES

AQUA NT – SWINGAWAY LEGRESTS 50 AND 70 DEGREES



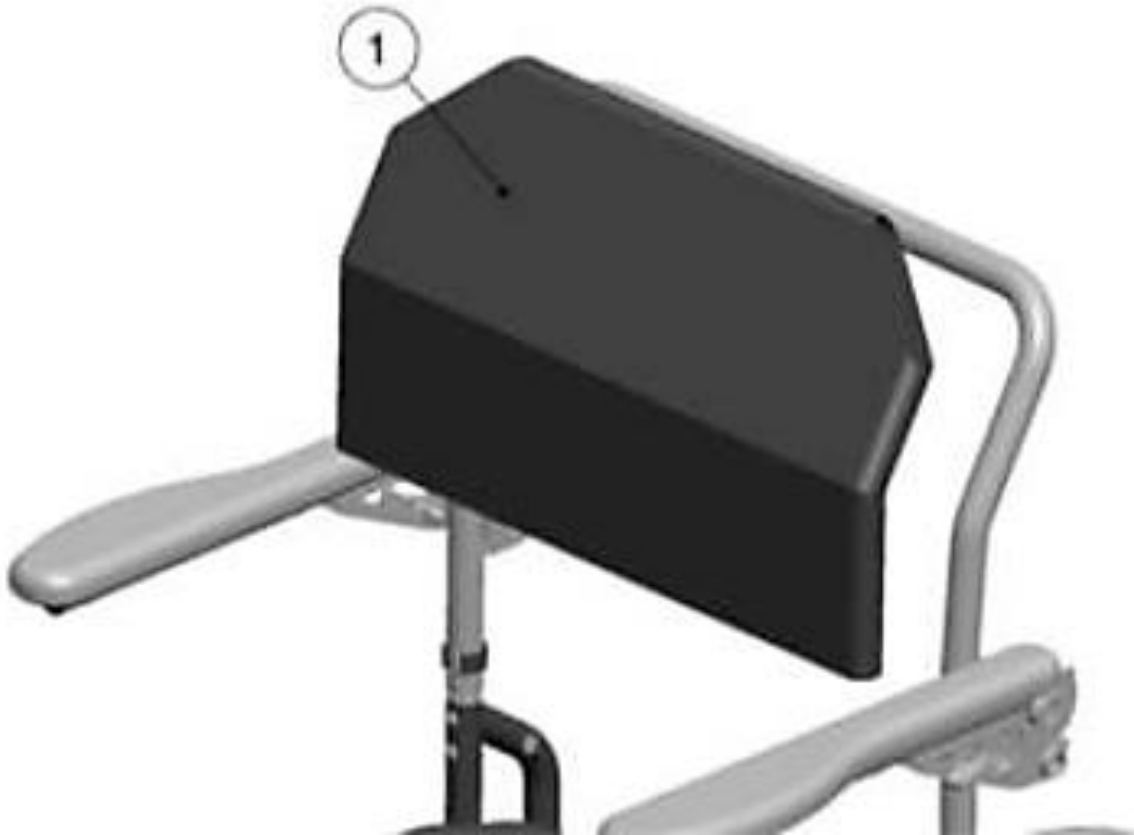
AQUA NT SWINGAWAY LEG RESTS - TABLE

ITEM	QTY	NOTES	PART NO.	DESCRIPTION	PRICE/ PER UNIT
1	1		1000014	NUT, HEX, NYLOCK 1/4-20 NC	\$2.00
2	1		1000018	ROUND PLUG TUBE	\$2.50
3	1		1000492	SCREW, SOCKET HEAD CAP, 1/4-20X2.1/2	\$3.00
4	2		1000904	DIA. 0.75 COVED SPACER , 0.251 BOLT	\$3.50
5	1		1001222	SLIDE BUSHING 0-875 TOO.75 SIMPLE	\$5.00
6	1		1001444	FOOTPLATE, FLIP-UP, COMPOSITE MEDIUM	\$50.00
7	1		1009126	FOOTREST HANGER 70 DEGREES	\$140.00
8	1		1009130	BRACE SADDLE	\$14.00
9	1		1009131	FOOTREST EXTENSION	\$35.70
10	1		1009132	LOCKING SLUG	\$10.00
11	1		1009141	# 6X1/21 SELF TAPPING SCREW	\$3.00
12	1		1009149	1/4-20X 1/21 BUTTON SOC HEAD S.S. SCREW	\$3.00
13	1		1022344	SCREW,SOC BUTTON HEAD 1/4-20 X 0.500 S.STEEL	\$3.00
14	1	A	1008115	FOOTREST HANGER 50 DEGREES	\$140.00
			1014122	COMPOSITE FLIPUP FOOTPLATE RIGHT KIT (ITEMS 1-4, 6, 9)	\$100.00
			1014123	COMPOSITE FLIPUP FOOTPLATE LEFT KIT (ITEMS 1-4, 6, 9)	\$100.00
			1014120	SWINGAWAY 70 DEGREES LEFT OR RIGHT KIT (ITEMS 5, 7, 8, 10 - 12)	\$145.00
			1014121	SWINGAWAY 50 DEGREES LEFT OR RIGHT KIT (ITEMS 5, 8, 10 - 12, 14)	\$145.00
		B20005-20024			

NOTES: A: NOT SHOWN IN THE ABOVE PICTURE

UPHOLSTERY

AQUA NT – BACK UPHOLSTERY



AQUA NT UPHOLSTERY - TABLE

ITEM	QTY	NOTES	PART NO.	DESCRIPTION	PRICE/ PER UNIT
1	1		1009172	COMMODE BACK UPHOLSTERY 181	\$125.00
	1		1012133	COMMODE BACK UPHOLSTERY 201	\$135.00
	1		1012134	COMMODE BACK UPHOLSTERY 221	\$145.00
		B20040-20044			

NOTES: