



**CANADA** | **USA**

6750 Professional Court, Mississauga,  
Ontario, L4V 1X6



11126 Greenstone Ave, Santa Fe Springs  
CA 90670

1-888-737-4011



1-888-342-3119

[www.futuremobility.ca](http://www.futuremobility.ca)



[www.futuremobility.com](http://www.futuremobility.com)

# PARTS MANUAL



REHAB COMMODE by FUTURE MOBILITY

# NT600

\* Part prices and configurations included in this Parts Manual are subject to change without prior notice.  
\* All prices are shown as per unit individual price.

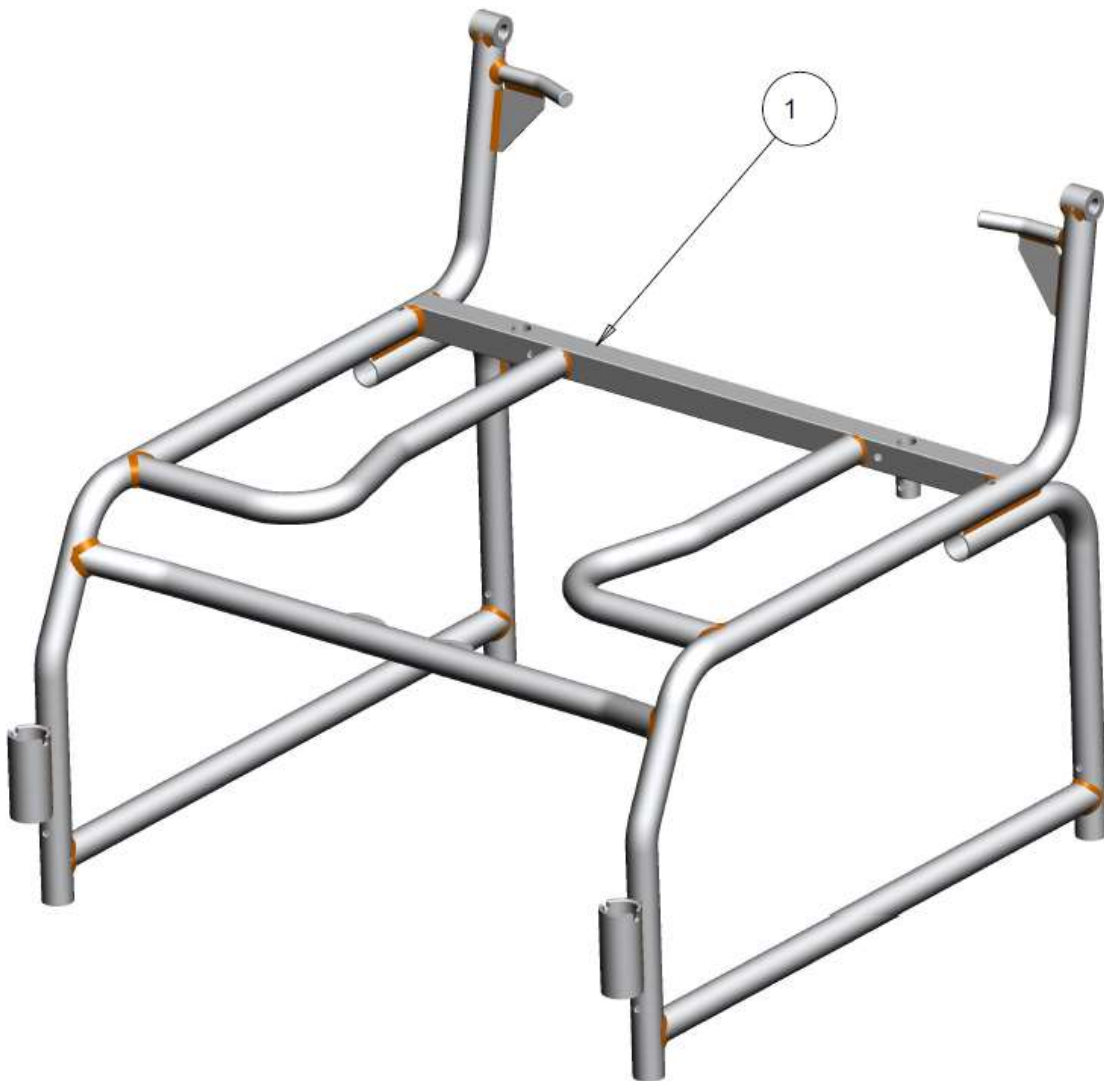
## Contents

FRAMES.....	5
<b>AQUA NT 600 SEAT FRAME.....</b>	<b>5</b>
<b>AQUA NT 600 BACK FRAME.....</b>	<b>7</b>
ARMS.....	9
<b>AQUA NT 600 ARM ASS'Y.....</b>	<b>9</b>
<b>AQUA NT 600 ARMREST TOP ASSEMBLY KIT.....</b>	<b>11</b>
LEGREST.....	13
<b>AQUA NT 600 U-TUBE ASS'Y.....</b>	<b>13</b>
BACKREST.....	15
<b>AQUA NT 600 BACKREST ASSEMBLY.....</b>	<b>15</b>
CASTERS.....	17
<b>AQUA NT 600 CASTER STEM ASSEMBLY.....</b>	<b>17</b>
SEAT AND POTTY.....	19
<b>AQUA NT 600 SEAT ASSEMBLY.....</b>	<b>19</b>
<b>AQUA NT 600 POTTY WIRE.....</b>	<b>21</b>
<b>AQUA NT 600 POTTY.....</b>	<b>23</b>
MISCELLANEOUS.....	25
<b>AQUA NT 600 MISCELLANEOUS PARTS.....</b>	<b>25</b>



## FRAMES

### AQUA NT 600 SEAT FRAME

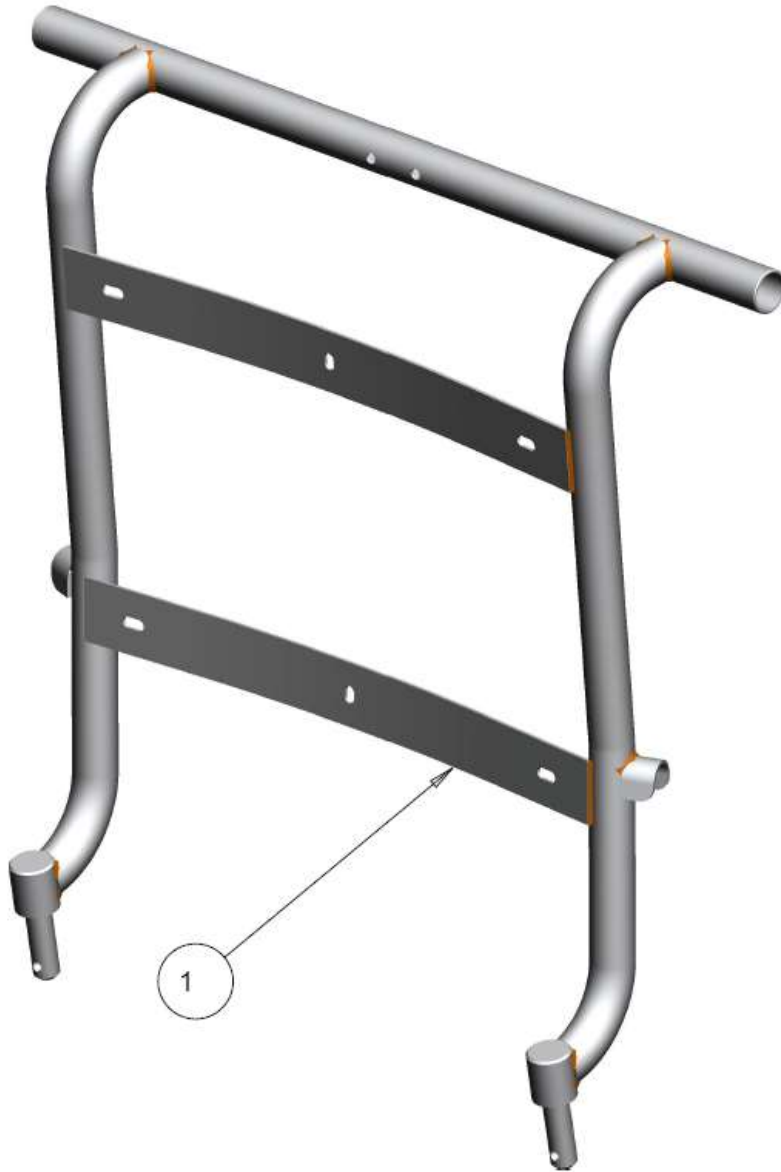


## AQUA NT 600 SEAT FRAME-TABLE

ITEM	QTY	NOTES	PART NO.	DESCRIPTION	PRICE/ PER UNIT
1	1	A	1018285	FRAME WELDMENT 24" (ELECTROPOLISHED)	\$1,147.00
1	1	A	1018285	FRAME WELDMENT 24" (WHITE)	\$1,147.00
1	1	A	1020581	FRAME WELDMENT 26" (ELECTROPOLISHED)	\$1,035.00
1	1	A	1020581	FRAME WELDMENT 26" (WHITE)	\$1,035.00
		B20635- 20640			

NOTES: A- COLOR TO BE SPECIFIED

## AQUA NT 600 BACK FRAME



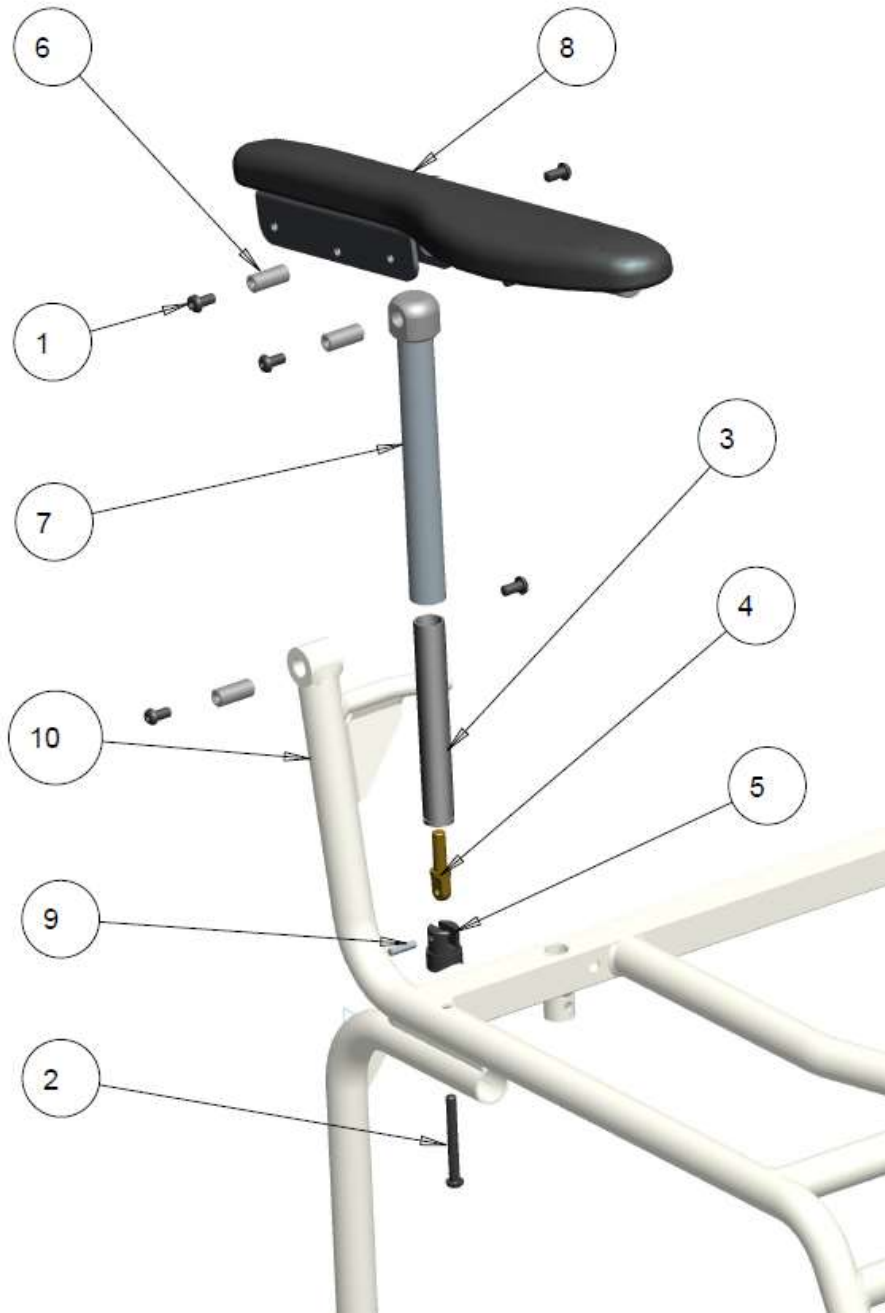
## AQUA NT 600 BACK FRAME - TABLE

ITEM	QTY	NOTES	PART NO.	DESCRIPTION	PRICE/ PER UNIT
1	1	A	1018603	BACK FRAME WELDMENT LOW (ELECTRO POLISHED)	\$439.00
1	1	A	1018603	BACK FRAME WELDMENT LOW (WHITE)	\$439.00
		B206070- 20673			

NOTES: A- COLOR TO BE SPECIFIED

# ARMS

## AQUA NT 600 ARM ASS'Y



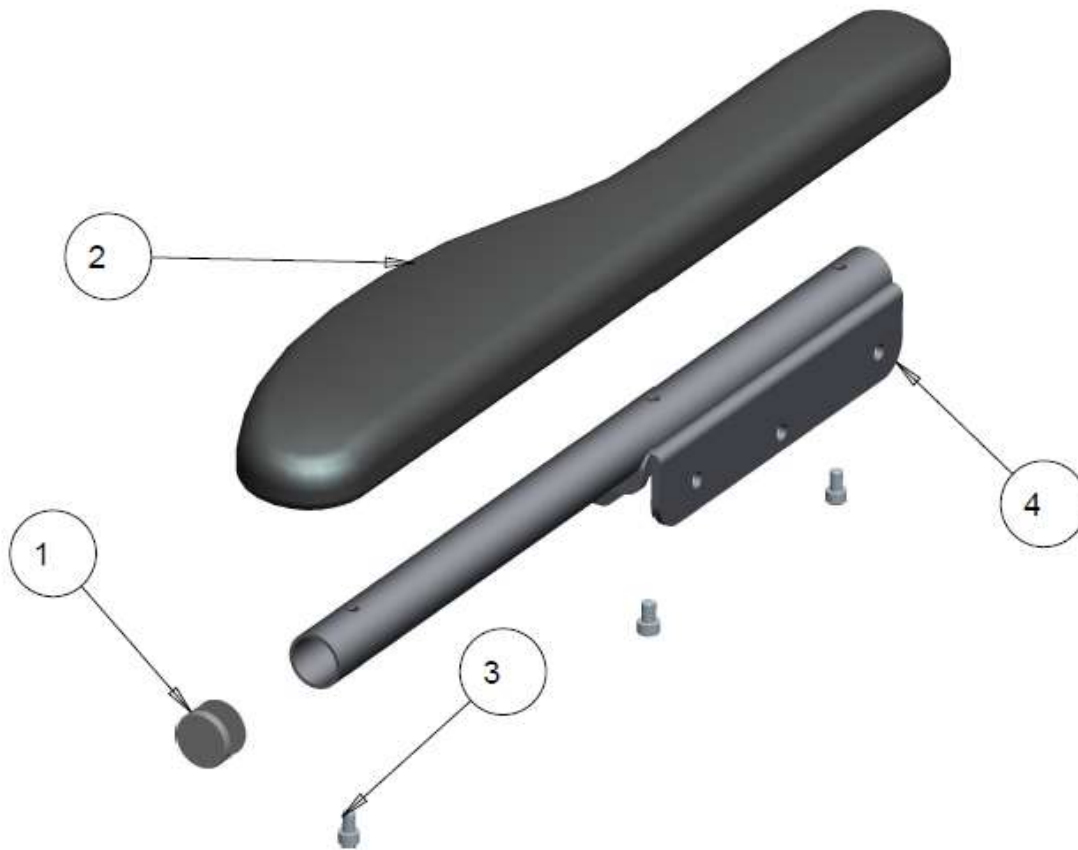


## AQUA NT 600 ARM ASSY - TABLE

ITEM	QTY	NOTES	PART NO.	DESCRIPTION	PRICE/ PER UNIT
1	6		1022344	SCREW,SOC BUTTON HEAD 1/4-20 X 0.500 S.STEEL	\$3.00
2	1		1022049	SCREW, SOCKET HEAD BUTTON 1/4-20 X 2.25S.STEEL	\$3.00
3	1		1011852	ARMREST INNER TUBE WITH INSERT	\$30.00
4	1		1011855	ARMREST THREADED INSERT STUD	\$24.00
5	1		1011856	ARMREST LOWER MOUNT PIVOT	\$12.00
6	3		1011858	ARMREST INSERT BRASS BUSHING TOP	\$10.00
7	1	A	1011863	ARMREST OUTER TUBE WITH INSERT	\$65.00
8	1	A	1011865	ARMREST TOP ASS'Y RT	\$150.00
	1	A	1011865	ARMREST TOP ASS'Y LT	\$150.00
9	1		1011909	SS PIN 3/16 DIA X .75	\$5.00
10	1		1018285	FRAME WELDMENT	\$1,147.00
	1	A	<b>1022020</b>	<b>KIT,COMPLETE ARM ASSY'RT (ITEMS 1-9)</b>	<b>\$202.00</b>
	1	A	<b>1022021</b>	<b>KIT,COMPLETE ARM ASSY'RT (ITEMS 1-9)</b>	<b>\$202.00</b>
		B20705-20719			

NOTES: A- COLOR TO BE SPECIFIED

## AQUA NT 600 ARMREST TOP ASSEMBLY KIT



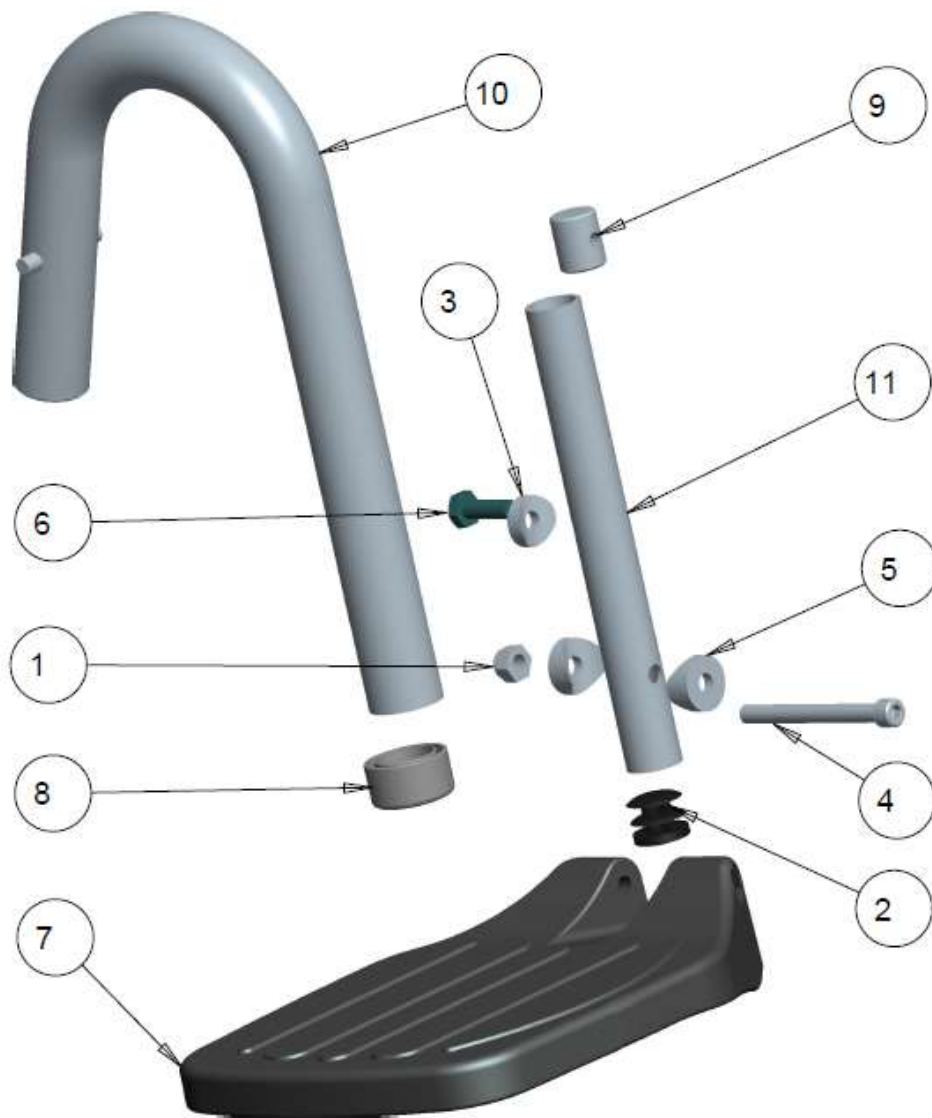
## AQUA NT 600 ARMREST TOP ASSEMBLY KIT - TABLE

ITEM	QTY	NOTES	PART NO.	DESCRIPTION	PRICE/ PER UNIT
1	1		1000421	PLUG, UNIVERSAL BLACK 0.875 ROUND	\$2.50
2	1		1002672	ARMPAD WITH INSERT RT	\$75.00
	1		1002673	ARMPAD WITH INSERT LT	\$75.00
3	3		1022050	SCREW, SOCKET HEAD CAP, 10-32NF X 5/16 S.STEEL	\$3.00
4	1	A	1011859	ARMTOP TUBE WELDMENT	\$78.00
	1		<b>1011865</b>	<b>ARMREST TOP ASSEMBLY KIT-RIGHT (ITEMS 1-4)</b>	<b>\$150.00</b>
	1		<b>1011864</b>	<b>ARMREST TOP ASSEMBLY KIT-LEFT (ITEMS 1-4)</b>	<b>\$150.00</b>
		B20740-20748			

NOTES: A- COLOR TO BE SPECIFIED

# LEGREST

## AQUA NT 600 U-TUBE ASSY



## AQUA NT 600 U-TUBE ASSY - TABLE

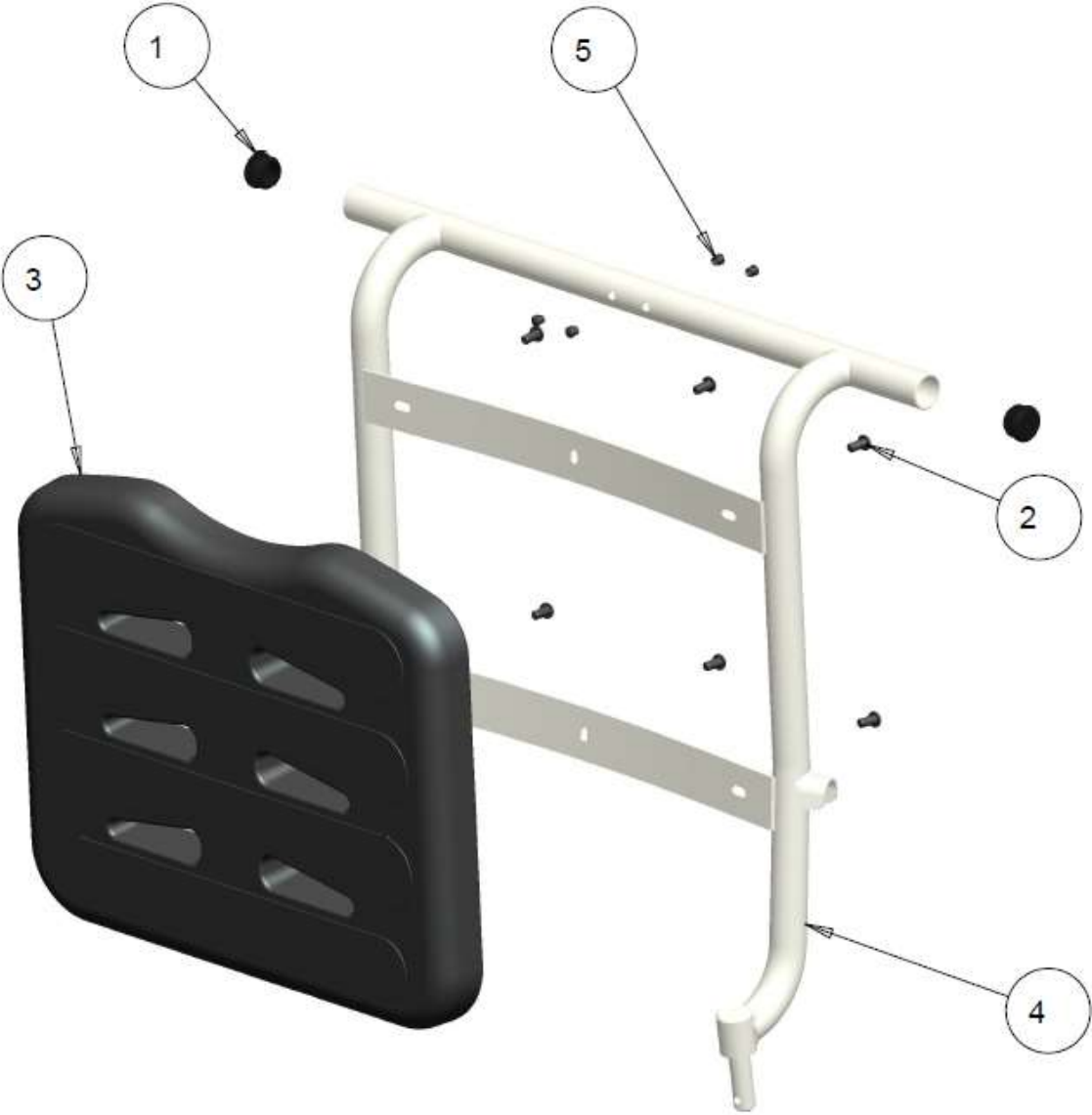
ITEM	QTY	NOTES	PART NO.	DESCRIPTION	PRICE/ PER UNIT
1	1		1018755	NUT, HEX, NYLOCK 1/4-20 NC S.STEEL	\$2.00
2	1		1000018	ROUND PLUG TUBE 3/41	\$2.50
3	1		1000113	SPACER, COVED 1/4 X 1.0 DIA	\$3.50
4	1		1022345	SCREW, SOCKET HEAD CAP, 1/4-20X2.1/2 S.STEEL	\$3.00
5	2		1000904	DIA. 0.75 COVED SPACER , 0.251 BOLT	\$3.50
6	1		1022051	BOLT HEX 1/4-20 X 0.75 S.STEEL	\$3.00
7	1		1001444	FOOTPLATE, FLIP-UP, COMPOSITE MEDIUM	\$50.00
8	1		1001869	GLIDE BUSHING, 1.00 TO 0.75 (.083) WALL	\$5.00
9	1		1009132	LOCKING SLUG	\$10.00
10	1	A	1011866	70° SWINGAWAY WELDMENT U-TUBE	\$120.00
	1	A	1018680	60° SWINGAWAY WELDMENT U-TUBE	\$120.00
11	1		1011870	FOOTREST ADJ. STEM	\$27.00
	1		<b>1011869</b>	<b>70° SWINGAWAY U-TUBE ASSEMBLY KIT LT (ITEMS 1-11)</b>	<b>\$200.00</b>
	1		<b>1013307</b>	<b>70° SWINGAWAY U-TUBE ASSEMBLY RT KIT(ITEMS 1-11)</b>	<b>\$200.00</b>
	1		<b>1018679</b>	<b>60° SWINGAWAY U-TUBE ASSEMBLY KIT LT (ITEMS 1-11)</b>	<b>\$200.00</b>
			<b>1018684</b>	<b>60° SWINGAWAY U-TUBE ASSEMBLY KIT RT (ITEMS 1-11)</b>	<b>\$200.00</b>
	1	B	1001247	FOOTPLATE HEEL LOOP WITH HARDWARE RIGHT	\$21.00
	1	B	1022205	FOOTPLATE HEEL LOOP WITH HARDWARE LEFT	\$21.00
		B20775-20795			

NOTES: A- COLOR TO BE SPECIFIED

B- HEEL LOOP COMES INSTALLED IF ORDERED WITH COMPLETE FOOTREST

**BACKREST**

**AQUA NT 600 BACKREST ASSEMBLY**

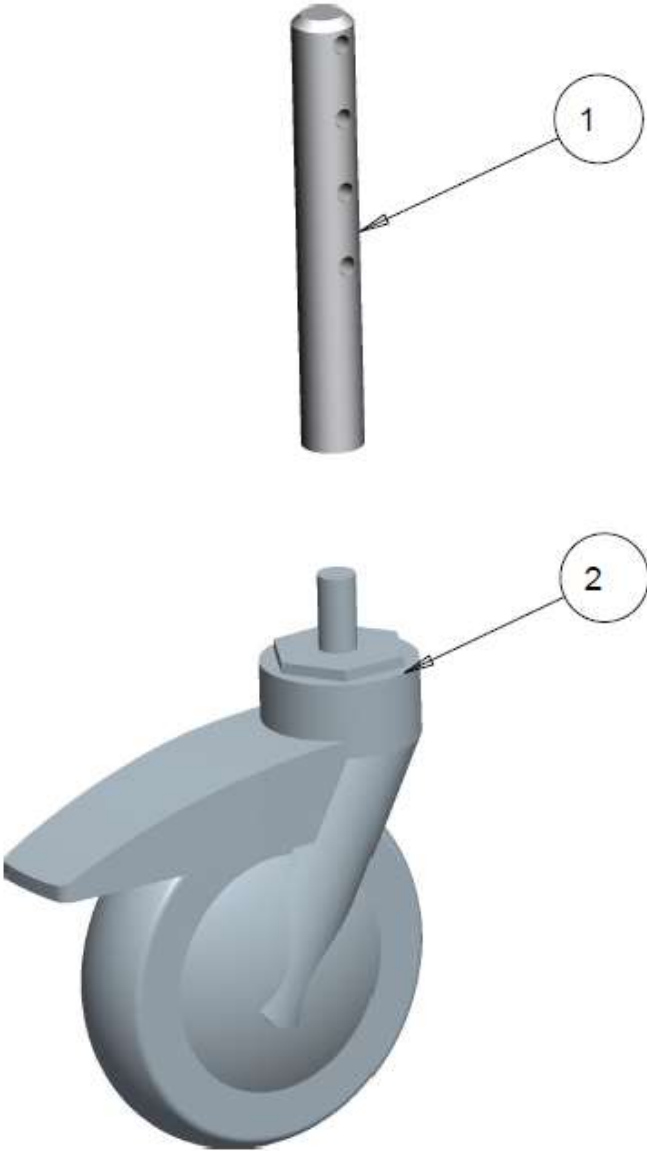


## AQUA NT 600 BACKREST ASSEMBLY - TABLE

ITEM	QTY	NOTES	PART NO.	DESCRIPTION	PRICE/ PER UNIT
1	2		1000392	1 INCH TUBE PLUG	\$3.00
2	6		1022344	SCREW,SOC BUTTON HEAD 1/4-20 X 0.500 S.STEEL	\$3.00
3	1		1011893	BACK SUPPORT MOLD	\$200.00
4	1		REF	BACK FRAME WELDMENT LOW	REF
5	4		1022022	MINI PLUG 1/4	\$0.50
			<b>1018617</b>	<b>BACKREST ASSEMBLY KIT (ITEMS 1-3,5)</b>	<b>\$190.00</b>
		B20810-20817			

**CASTERS**

**AQUA NT 600 CASTER STEM ASSEMBLY**



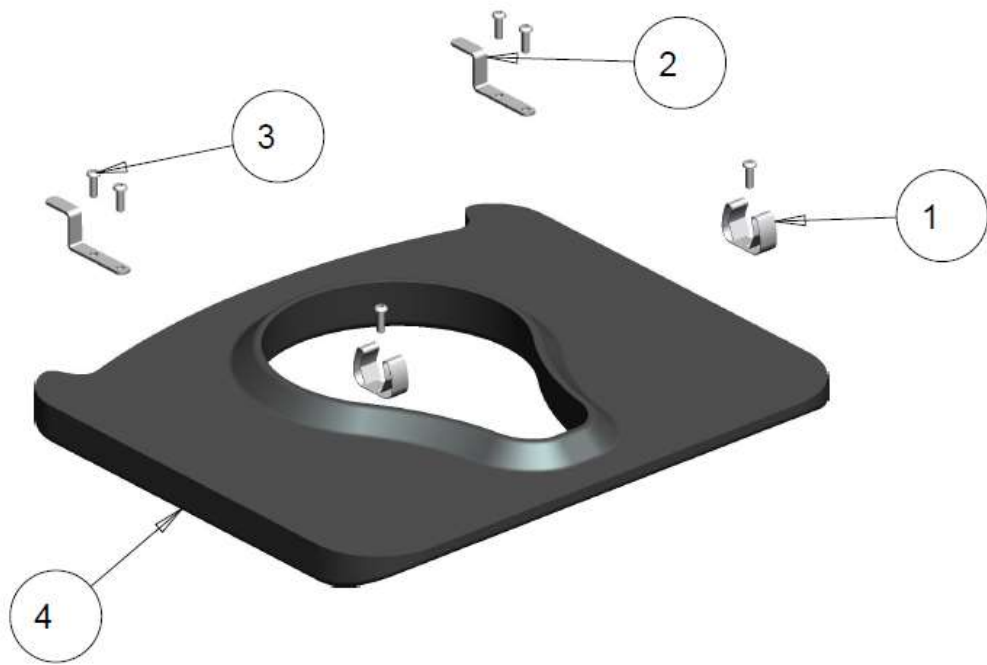


## AQUA NT 600 CASTER STEM ASSEMBLY - TABLE

ITEM	QTY	NOTES	PART NO.	DESCRIPTION	PRICE/ PER UNIT
1	1		1009173	CASTER STEM	\$50.00
2	1		1009167	TENTE CASTER 51	\$124.00
			<b>1009139</b>	<b>CASTER STEM ASSEMBLY KIT (ITEM 1-2)</b>	<b>\$124.00</b>
		B20845- 20849			

## SEAT AND POTTY

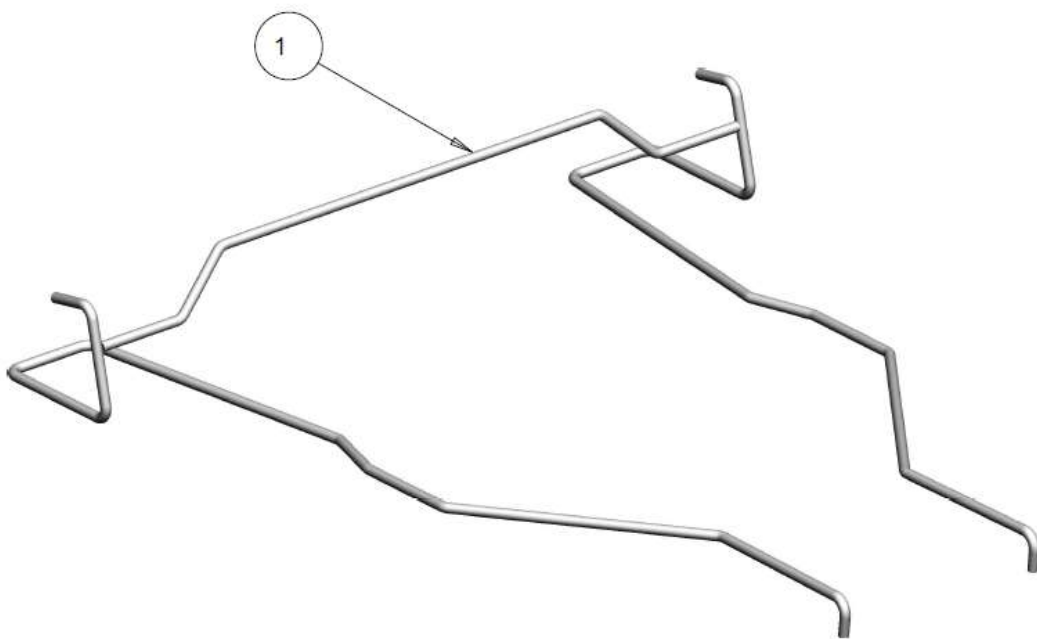
### AQUA NT 600 SEAT ASSEMBLY



## AQUA NT 600 SEAT ASSEMBLY - TABLE

ITEM	QTY	NOTES	PART NO.	DESCRIPTION	PRICE/ PER UNIT
1	2		1009174	SEAT LOCK	\$8.00
2	2		1020449	LOCKING BRACKET	\$15.00
3	6		1022017	SCREW, SOCKET HEAD BUTTON, 1/4-20NC X 3/4,S.S.	\$3.00
4	1		1022023	SEAT WITH REINFORCEMENT	\$250.00
			<b>1022024</b>	<b>SEAT ASSEMBLY KIT (ITEMS 1-4)</b>	<b>\$280.00</b>
		B20880- 20886			

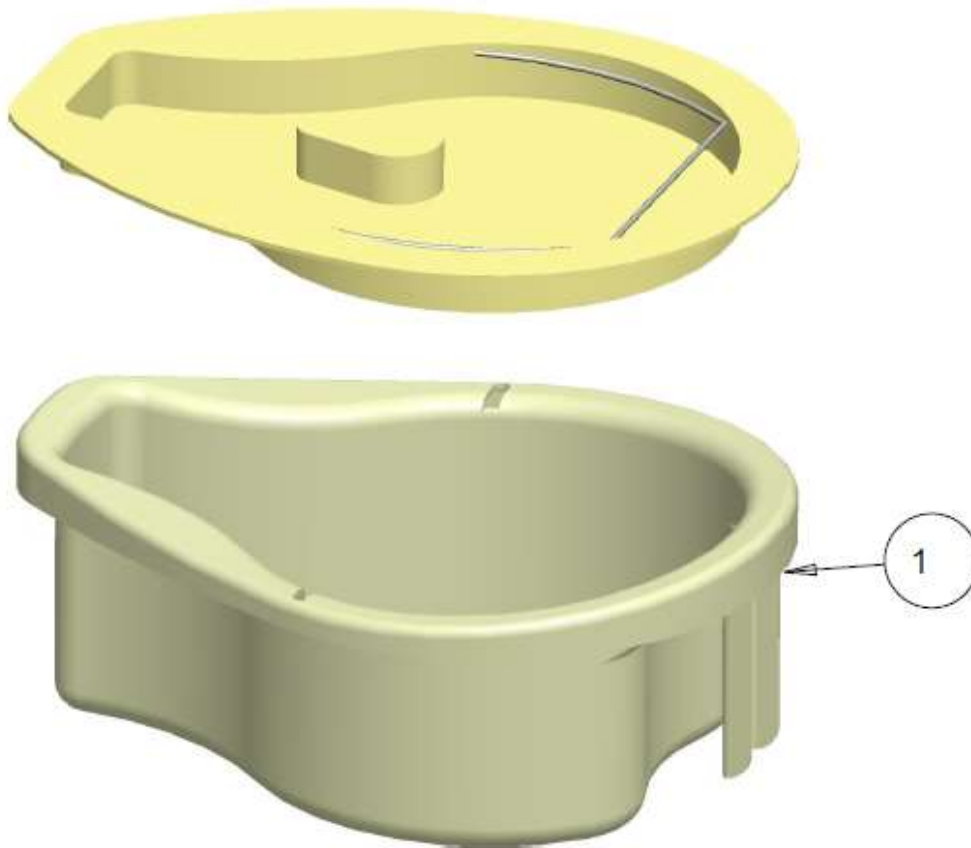
# AQUA NT 600 POTTY WIRE



## AQUA NT 600 POTTY WIRE - TABLE

ITEM	QTY	NOTES	PART NO.	DESCRIPTION	PRICE/ PER UNIT
1	1		1018607	POTTY WIRE	\$50.00
		B20915- 20917			

# AQUA NT 600 POTTY



## AQUA NT 600 POTTY - TABLE

ITEM	QTY	NOTES	PART NO.	DESCRIPTION	PRICE/ PER UNIT
1	1		1009168	POTTY WITH LID INCLUDED	\$175.00
		B20950-20952			

## MISCELLANEOUS

### AQUA NT 600 MISCELLANEOUS PARTS





## AQUA NT 600 MISCELLANEOUS PARTS - TABLE

	QTY	NOTES	PART NO.	DESCRIPTION	PRICE/ PER UNIT
1	2		1000392	1 INCH TUBE PLUG	\$3.00
2	4		1001869	GLIDE BUSHINGTUBE 11OD,WTHK 0.065	\$5.00
3	2		1002720	NYLINER BUSHING 1.00 ID 1.125 LG	\$10.00
4	4		1009125	SNAP CLIP 1.00 DIA	\$8.50
5	4		REF	COMMODE CASTER	REF
6	2		1011911	RUBBER GROMMET .187 ID .065	\$2.00
7	2		1011912	PVC HOSE ID 1/2 OD 3/4	\$1.00
8	2		1011914	SNAP CLIP 3/4 DIA	\$8.00
9	1		REF	FRAME WELDMENT	REF
		B20985-20995			

bngfb