



CANADA

USA

6750 Professional Court, Mississauga,
Ontario, L4V 1X6



11126 Greenstone Ave, Santa Fe Springs
CA 90670

1-888-737-4011



1-888-342-3119

www.futuremobility.ca



www.futuremobility.com

PARTS MANUAL



REHAB COMMODE by FUTURE MOBILITY

NTF

* Part prices and configurations included in this Parts Manual are subject to change without prior notice.
* All prices are shown as per unit individual price.

Contents

| | |
|--|-----------|
| FRAMES..... | 4 |
| AQUA NTF BASE FRAME..... | 4 |
| AQUA NTF BACK FRAME..... | 6 |
| ARMS..... | 8 |
| AQUA NTF BACK ASSY | 8 |
| BACKREST..... | 12 |
| AQUA NTF ARMREST ASSEMBLY | 12 |
| CASTERS | 18 |
| AQUA NTF CASTER STEM ASSEMBLY | 18 |
| SEAT AND POTTY..... | 20 |
| AQUA NTF WHEEL-LOCK ASSEMBLY | 20 |
| MISCELLANEOUS..... | 24 |
| AQUA NTF MISCELLANEOUS PARTS | 24 |

FRAMES

AQUA NTF BASE FRAME

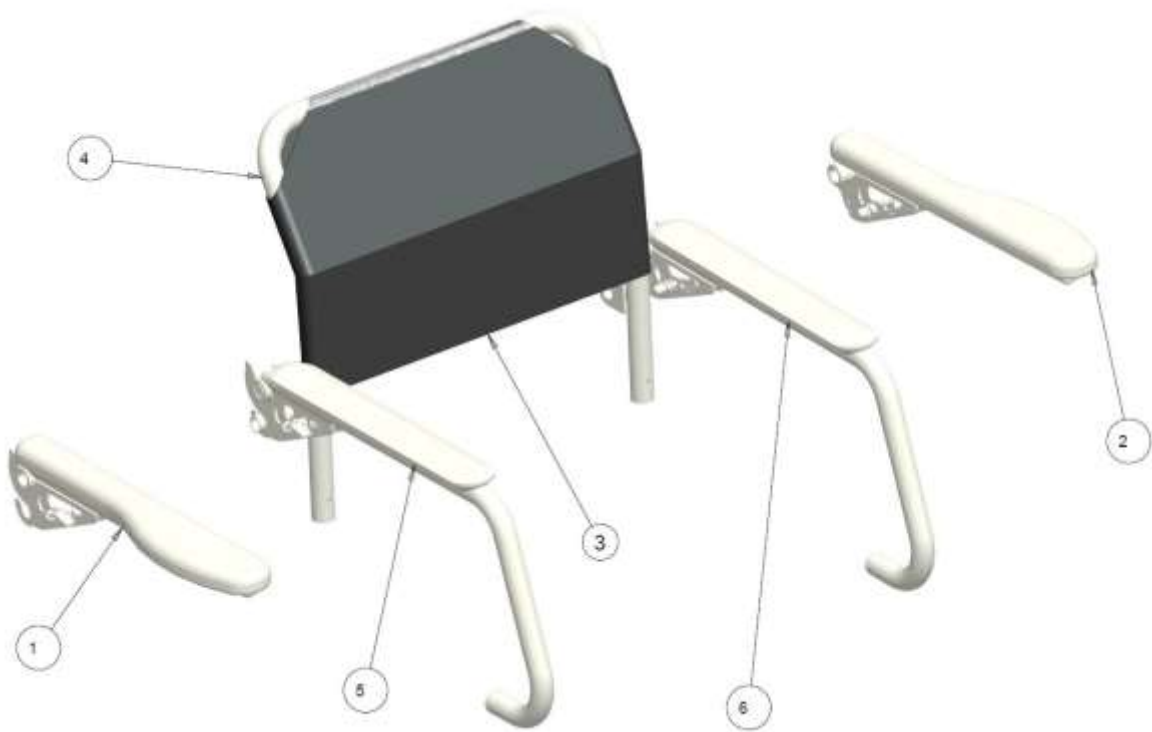


AQUA NTF SEAT FRAME-TABLE

| ITEM | QTY | NOTES | PART NO. | DESCRIPTION | PRICE/ PER UNIT |
|------|-----|------------------|----------|--------------------------------------|-----------------|
| 1 | 1 | A | 1018248 | FRAME WELDMENT 18" (ELECTROPOLISHED) | \$1,022.00 |
| 1 | 1 | A | 1018248 | FRAME WELDMENT 18" (WHITE) | \$1,022.00 |
| 1 | 1 | A | 1022686 | FRAME WELDMENT 20" (ELECTROPOLISHED) | \$1,035.00 |
| 1 | 1 | A | 1022686 | FRAME WELDMENT 20" (WHITE) | \$1,035.00 |
| 1 | 1 | A | 1022689 | FRAME WELDMENT 22" (ELECTROPOLISHED) | \$1,035.00 |
| 1 | 1 | A | 1022689 | FRAME WELDMENT 22" (WHITE) | \$1,035.00 |
| | | B20180- 20187 | | | |

NOTES: A- COLOR TO BE SPECIFIED

AQUA NTF BACK FRAME



AQUA NTF BACK FRAME - TABLE

| ITEM | QTY | NOTES | PART NO. | DESCRIPTION | PRICE/ PER UNIT |
|------|-----|--------------|----------|--------------------------------|-----------------|
| 1 | 1 | | REF | RIGHT ASSY. ARM | REF |
| 2 | 1 | | REF | LEFT ASSY. ARM | REF |
| 3 | 1 | | 1009172 | COMMODE BACK UPHOLSTERY 17" | \$125.00 |
| | 1 | | 1009172 | COMMODE BACK UPHOLSTERY 20" | \$125.00 |
| | 1 | | 1009172 | COMMODE BACK UPHOLSTERY 22" | \$125.00 |
| 4 | 1 | | REF | BACK WELDED FRAME | REF |
| 5 | 1 | | REF | FRONT SUPPORTED RIGHT ARM ASSY | REF |
| 6 | 1 | | REF | FRONT SUPPORTED LEFT ARM ASSY | REF |
| | | B20214-20224 | | | |

ARMS

AQUA NTF BACK ASS'Y

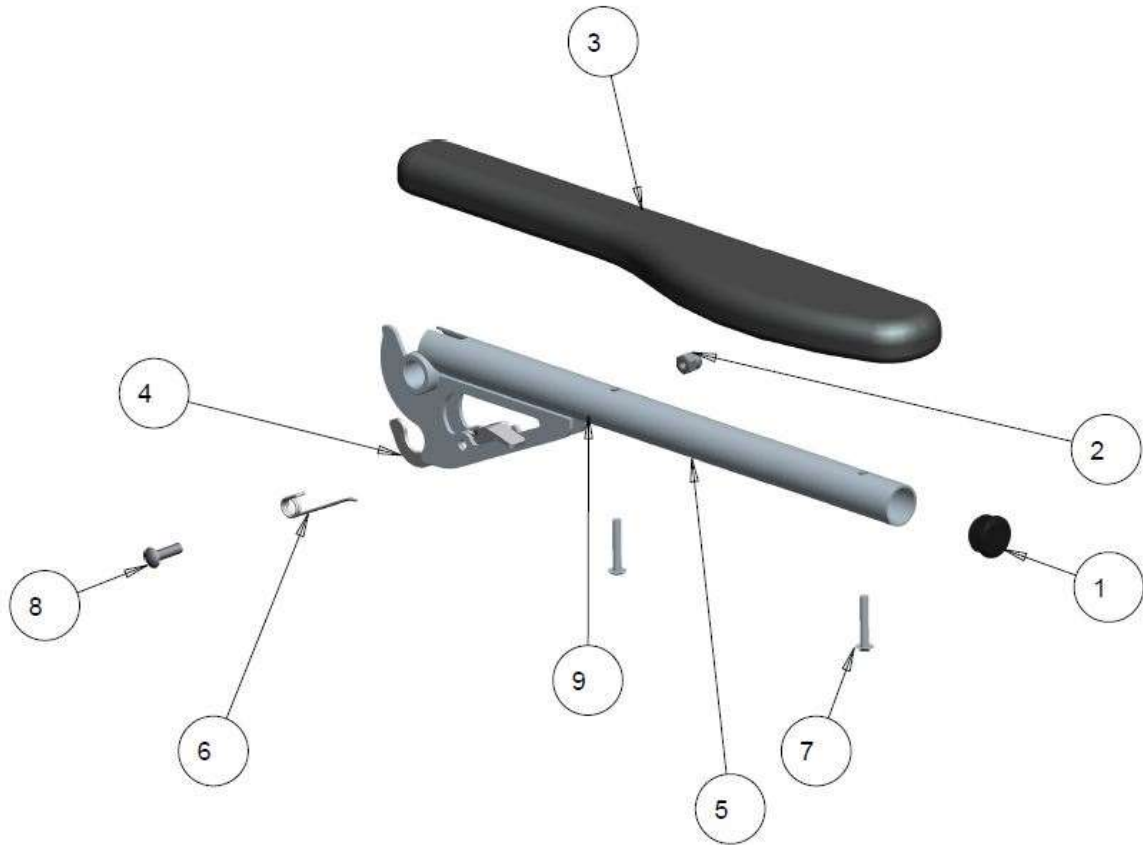


AQUA NTF BACK FRAME - TABLE

| ITEM | QTY | NOTES | PART NO. | DESCRIPTION | PRICE/ PER UNIT |
|------|-----|------------------|----------------|---|-----------------|
| 1 | 2 | | 1000018 | TUBE PLUG 3/4 DIA | \$2.50 |
| 2 | 2 | | 1001691 | SPACER,NYLON#10 OD .375 ID .194 THK .125 | \$2.50 |
| 3 | 2 | | 1001806 | POP-RIVET 3/16 DIA .440 STUB | \$3.00 |
| 4 | 1 | A | 1018262 | BACK WELDMENT 17" ELECTROPOLISHED | \$404.00 |
| | 1 | A | 1018262 | BACK WELDMENT 17" WHITE | \$404.00 |
| | 1 | A | 1022767 | BACK WELDMENT 20" ELECTROPOLISHED | \$404.00 |
| | 1 | A | 1022767 | BACK WELDMENT 20" WHITE | \$404.00 |
| | 1 | A | 1022770 | BACK WELDMENT 22" ELECTROPOLISHED | \$404.00 |
| | 1 | A | 1022770 | BACK WELDMENT 22" WHITE | \$404.00 |
| | 1 | A | 1018270 | BACK FRAME ASSY KIT 17" ELECTROPOLISHED (ITEM 1-4) | \$415.00 |
| | 1 | A | 1018270 | BACK FRAME ASSY KIT 17" WHITE (ITEM 1-4) | \$415.00 |
| | 1 | A | 1022768 | BACK FRAME ASSY KIT 20" ELECTROPOLISHED (ITEM 1-4) | \$415.00 |
| | 1 | A | 1022768 | BACK FRAME ASSY KIT 20" WHITE (ITEM 1-4) | \$415.00 |
| | 1 | A | 1022769 | BACK FRAME ASSY KIT 22" ELECTROPOLISHED (ITEM 1-4) | \$415.00 |
| | 1 | A | 1022769 | BACK FRAME ASSY KIT 22" WHITE (ITEM 1-4) | \$415.00 |
| | | B20250- 20266 | | | |

NOTES: A- COLOR TO BE SPECIFIED

AQUA NTF ARMREST TOP ASSEMBLY KIT LT



AQUA NTF ARMREST TOP ASSEMBLY KIT LT - TABLE

| ITEM | QTY | NOTES | PART NO. | DESCRIPTION | PRICE/ PER UNIT |
|------|-----|--------------|----------------|--|-----------------|
| 1 | 1 | | 1000392 | 1 INCH TUBE PLUG | \$3.00 |
| 2 | 1 | | 1000787 | ACORN NUT 1 1/4-20 STAINLESS STEEL 0.51 HIGH | \$6.00 |
| 3 | 1 | | 1002672 | GEL ARM PAD RIGHT | \$75.00 |
| 3 | 1 | | 1002673 | GEL ARM PAD LEFT | \$75.00 |
| 4 | 1 | | 1009113 | COMMODE ARM LATCH RIGHT | \$26.80 |
| | 1 | | 1009121 | COMMODE ARM LATCH LEFT | \$26.80 |
| 5 | 1 | A | 1009116 | RIGHT ARM WELDMENT ELECTROPOLISHED | \$198.00 |
| | 1 | A | 1009116 | RIGHT ARM WELDMENT WHITE | \$198.00 |
| | 1 | A | 1009115 | LEFT ARM WELDMENT ELECTROPOLISHED | \$198.00 |
| | 1 | A | 1009115 | LEFT ARM WELDMENT WHITE | \$198.00 |
| 6 | 1 | | 1009134 | COMMODE ARM LATCH SPRING-RIGHT | \$3.00 |
| | | | 1009133 | COMMODE ARM LATCH SPRING-LEFT | \$3.00 |
| 7 | 2 | | 1009143 | 10/32X 1-1/41 BUTTONSOC HEAD S.S. SCREW | \$3.00 |
| 8 | 1 | | 1009144 | 1/4-250X7/81 BUTTONSOC HEAD S.S. SCREW | \$3.00 |
| 9 | 1 | | 1009145 | SPRING PIN S.S. 1/81 DIAX1 LG | \$3.00 |
| | 1 | | 1009147 | ARMREST RIGHT ASSY KIT (ITEM 1-9) ELECTROPOLISHED | \$292.00 |
| | 1 | | 1009148 | ARMREST LEFT ASSY KIT (ITEM 1-9) ELECTROPOLISHED | \$292.00 |
| | 1 | | 1009147 | ARMREST RIGHT ASSY KIT (ITEM 1-9) WHITE | \$292.00 |
| | 1 | | 1009148 | ARMREST LEFT ASSY KIT (ITEM 1-9) WHITE | \$292.00 |
| | | B20285-20305 | | | |

NOTES: A- COLOR TO BE SPECIFIED

BACKREST

AQUA NTF ARMREST ASSEMBLY

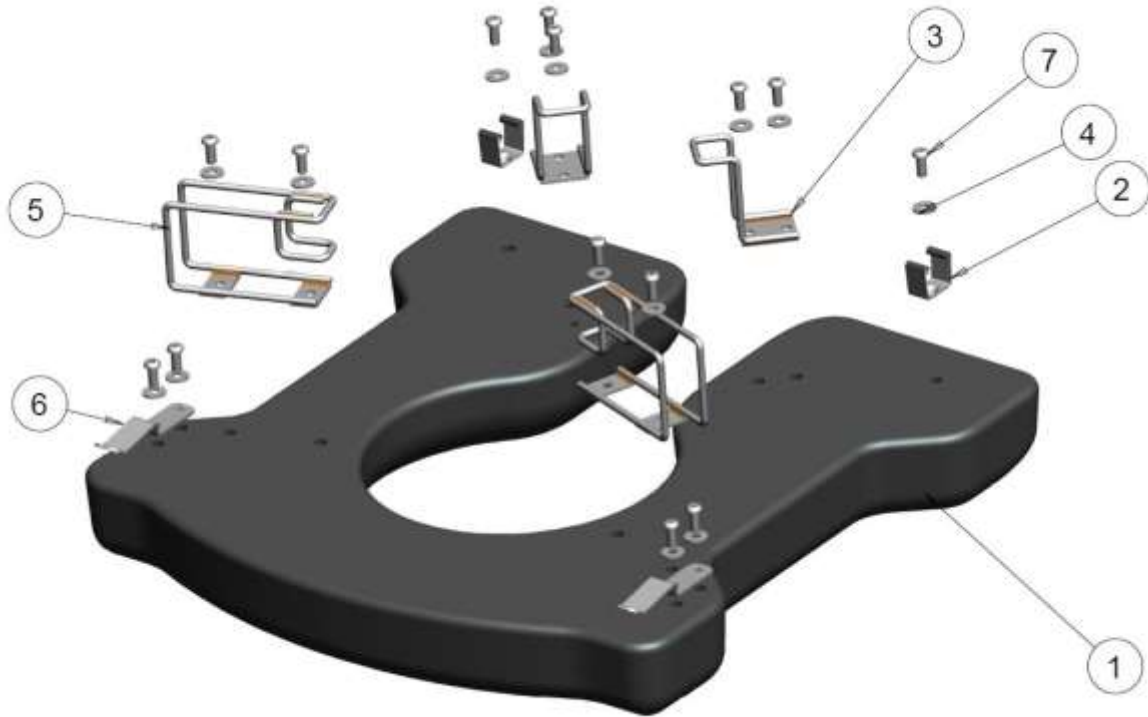


AQUA NTF ARMREST ASSEMBLY - TABLE

| ITEM | QTY | NOTES | PART NO. | DESCRIPTION | PRICE/ PER UNIT |
|------|-----|--------------|----------|--|-----------------|
| 1 | 1 | | 1000392 | 1 INCH TUBE PLUG | \$3.00 |
| 2 | 1 | | 1000787 | ACORN NUT 1 1/4-20 STAINLESS STEEL 0.51 HIGH | \$6.00 |
| 3 | 1 | | 1009113 | COMMODE ARM LATCH RIGHT | \$26.80 |
| | 1 | | 1009121 | COMMODE ARM LATCH LEFT | \$26.80 |
| 4 | 1 | A | 1009116 | RIGHT ARM WELDMENT ELECTROPOLISHED | \$198.00 |
| | 1 | A | 1009116 | RIGHT ARM WELDMENT WHITE | \$198.00 |
| | 1 | A | 1018277 | LEFT ARM WELDMENT ELECTROPOLISHED | \$198.00 |
| | 1 | A | 1018277 | LEFT ARM WELDMENT WHITE | \$198.00 |
| 5 | 1 | | 1009134 | COMMODE ARM LATCH SPRING-RIGHT | \$3.00 |
| | 1 | | 1009133 | COMMODE ARM LATCH SPRING-LEFT | \$3.00 |
| 6 | 2 | | 1009143 | 10/32X 1-1/41 BUTTON SOC HEAD S.S. SCREW | \$3.00 |
| 7 | 1 | | 1009144 | 1/4-250X7/81 BUTTON SOC HEAD S.S. SCREW | \$3.00 |
| 8 | 1 | | 1009145 | SPRING PIN S.S. 1/81 DIA X1 LG | \$3.00 |
| 9 | 1 | | 10 | ARM PAD | #N/A |
| | 1 | | 1018274 | ARM ASSY KIT RT ELECTROPOLISHED | \$292.00 |
| | 1 | | 1018275 | ARM ASSY KIT LT ELECTROPOLISHED | \$292.00 |
| | 1 | | 1018274 | ARM ASSY KIT RT WHITE | \$292.00 |
| | 1 | | 1018275 | ARM ASSY KIT LT WHITE | \$292.00 |
| | | B20320-20339 | | | |

NOTES: A- COLOR TO BE SPECIFIED

AQUA NTF SEAT ASSEMBLY



AQUA NTF ASSEMBLY - TABLE

| ITEM | QTY | NOTES | PART NO. | DESCRIPTION | PRICE/ PER UNIT |
|------|-----|--------------|----------|---|-----------------|
| 1 | 1 | | 1022682 | 181 COMMODE SEAT PAD WITH METAL INSERT | \$250.00 |
| 1 | 1 | | 1022762 | 201 COMMODE SEAT PAD WITH METAL INSERT | \$260.00 |
| 1 | 1 | | 1022763 | 221 COMMODE SEAT PAD WITH METAL INSERT | \$265.00 |
| 2 | 2 | | 1018267 | FRONT SEAT LOCK | \$8.00 |
| 3 | 2 | | 1020535 | POTTY WIRE INTEGRATED WITH SEAT FRONT | \$25.00 |
| 4 | 14 | | 1020550 | 1/4 X5/8 X 0.05 S.STEEL WASHER | \$1.50 |
| 5 | 2 | | 1020539 | POTTY WIRE INTEGRATED WITH SEAT BACK | \$25.00 |
| 6 | 2 | | 1018268 | BACK SEAT LOCK | \$15.00 |
| 7 | 14 | | 1020549 | SCREW, SOCKET HEAD BUTTON, 1/4-20NC X 5/8 S.STEEL | \$3.00 |
| | 1 | | 1022791 | 18" TOILETTE SEAT ASSY KIT (ITEMS 1-7) | \$300.00 |
| | 1 | | 1022792 | 20" TOILETTE SEAT ASSY KIT (ITEMS 1 -7) | \$310.00 |
| | 1 | | 1022793 | 22" TOILETTE SEAT ASSY KIT (ITEMS 1 -7) | \$315.00 |
| | | B20355-20368 | | | |

AQUA NTF LEGREST ASSEMBLY



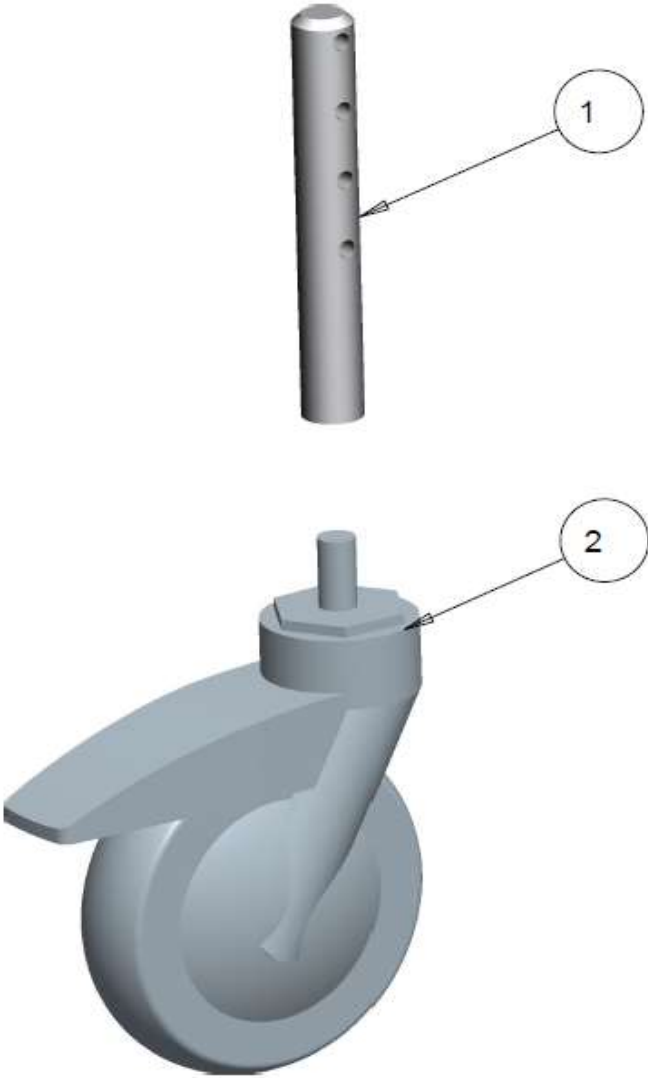
AQUA NTF LEGREST ASSEMBLY - TABLE

| ITEM | QTY | NOTES | PART NO. | DESCRIPTION | PRICE/ PER UNIT |
|------|-----|--------------|----------------|---|-----------------|
| 1 | 1 | | 1000014 | NUT, HEX, NYLOCK 1/4-20 NC | \$2.00 |
| 2 | 1 | | 1000018 | ROUND PLUG TUBE | \$2.50 |
| 3 | 1 | | 1000492 | SCREW, SOCKET HEAD CAP, 1/4-20X2.1/2 | \$3.00 |
| 4 | 2 | | 1000904 | DIA. 0.75 COVED SPACER, 0.251 BOLT | \$3.50 |
| 5 | 1 | | 1001222 | SLIDE BUSHING 0-875 TOO.75 SIMPLE | \$5.00 |
| 6 | 1 | | 1001444 | FOOTPLATE, FLIP-UP, COMPOSITE MEDIUM | \$50.00 |
| 7 | 1 | A | 1009126 | FOOTREST HANGER ELECTROPOLISHED | \$140.00 |
| 7 | 1 | A | 1009126 | FOOTREST HANGER WHITE | \$140.00 |
| 8 | 1 | | 1009130 | BRACE SADDLE | \$14.00 |
| 9 | 1 | | 1009131 | FOOTREST EXTENSION | \$35.70 |
| 10 | 1 | | 1009132 | LOCKING SLUG | \$10.00 |
| 11 | 1 | | 1009141 | #6X1/21 SELF TAPPING SCREW | \$3.00 |
| 12 | 1 | | 1009149 | 1/4-20X 1/21 BUTTON SOC HEAD S.S. SCREW | \$3.00 |
| | | A | 1009175 | RIFGT LEG ASSEMBLY KIT ELECTROPOLISHED (ITEM 1-12) | \$150.00 |
| | | A | 1009175 | RIFGT LEG ASSEMBLY KIT WHITE (ITEM 1-12) | \$150.00 |
| | | A | 1009176 | LEFT LEG ASSEMBLY KIT ELECTROPOLISHED (ITEM 1-12) | \$150.00 |
| | | A | 1009176 | LEFT LEG ASSEMBLY KIT WHITE (ITEM 1-12) | \$150.00 |
| | | B20390-20408 | | | |

NOTES: A- COLOR TO BE SPECIFIED

CASTERS

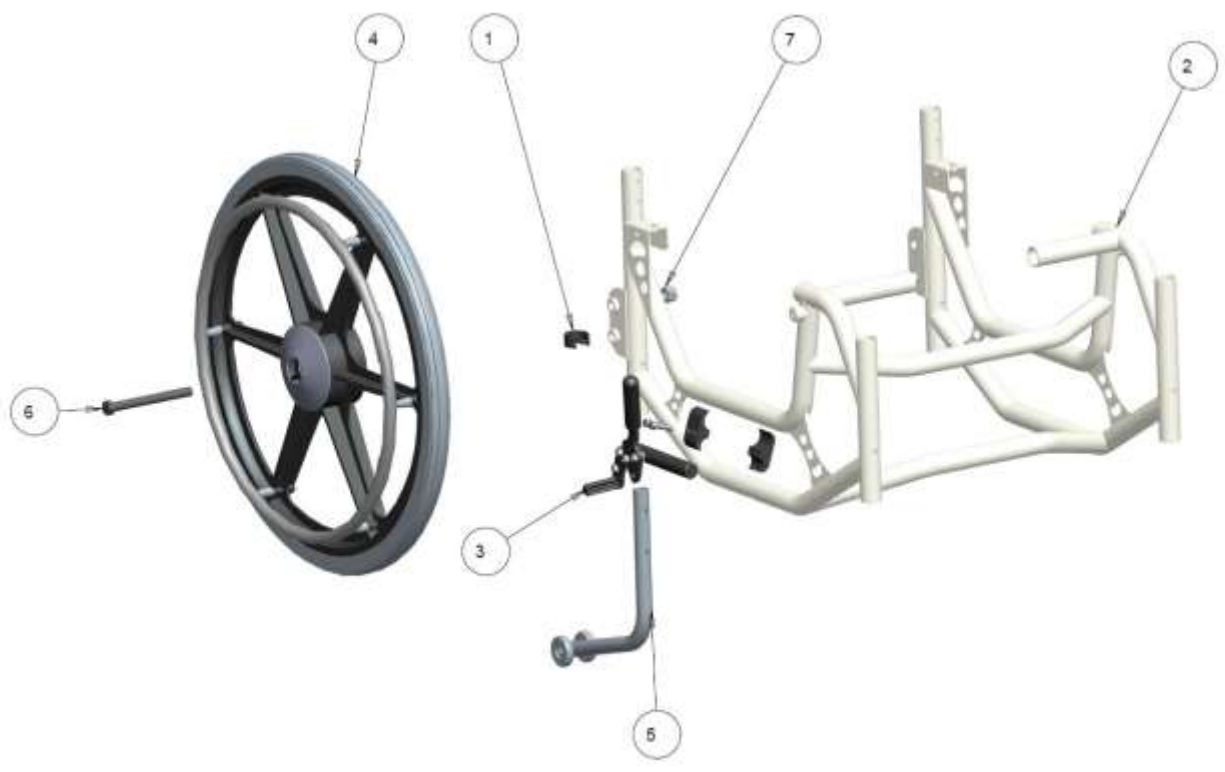
AQUA NTF CASTER STEM ASSEMBLY



AQUA NTF CASTER STEM ASSEMBLY - TABLE

| ITEM | QTY | NOTES | PART NO. | DESCRIPTION | PRICE/ PER UNIT |
|------|-----|------------------|----------------|--|-----------------|
| 1 | 1 | | 1009173 | CASTER STEM | \$50.00 |
| 2 | 1 | | 1009178 | TENTE CASTER 51 | \$100.00 |
| | | | 1009139 | CASTER STEM ASSEMBLY KIT (ITEM 1-2) | \$124.00 |
| | | B20425- 20429 | | | |

SEAT AND POTTY
AQUA NTF WHEEL-LOCK ASSEMBLY

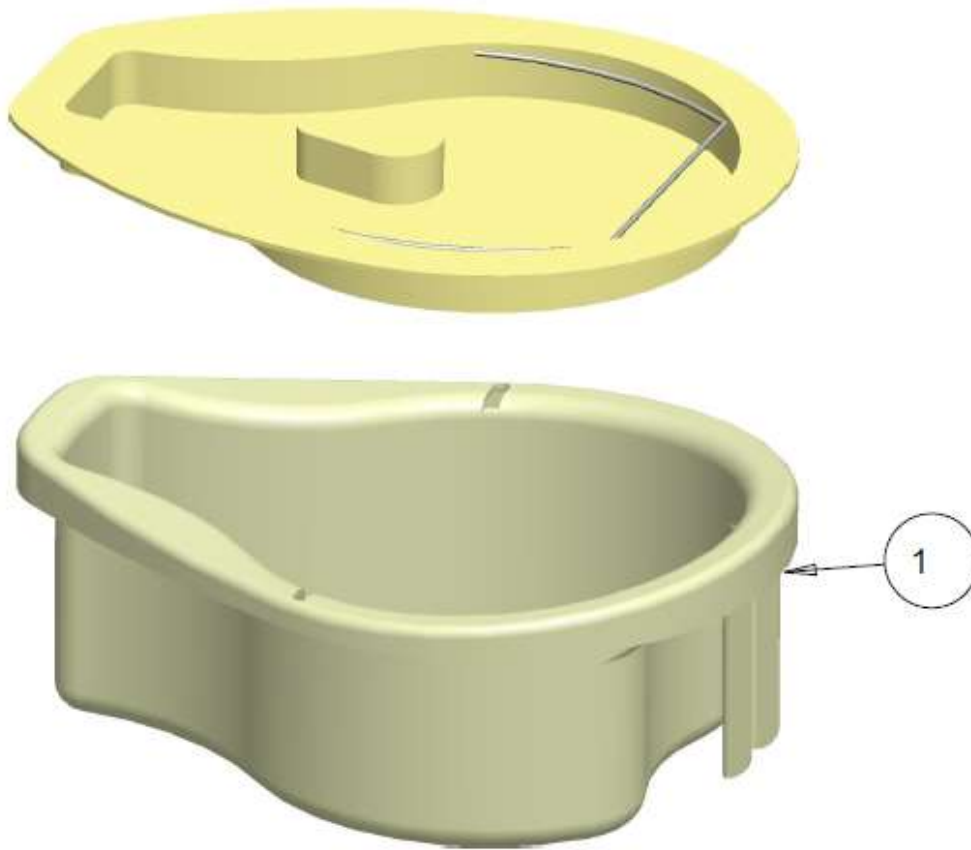


AQUA NTF WHEE-LOCK ASSEMBLY - TABLE

| ITEM | QTY | NOTES | PART NO. | DESCRIPTION | PRICE/ PER UNIT |
|------|-----|--------------|-----------|---------------------------------------|-----------------|
| 1 | 2 | | 1009125 | SNAP CLIP 1.00 DIA | \$8.50 |
| 2 | 1 | | 1018248 | BASE FRAME | \$1,022.00 |
| 3 | 1 | B | 1019371 | S.STEEL WHEEL LOCK ASS'Y, PULL TO ,RT | \$244.00 |
| 3 | 1 | B | 1022790 | S.STEEL WHEEL LOCK ASS'Y, PULL TO ,LT | \$4.00 |
| 4 | 2 | A | REFERENCE | COMPOSITE REAR WHEEL | REF |
| 5 | 2 | | 1022773 | NTF COMMODE ANTI TIP | \$40.00 |
| 6 | 2 | | 1022790 | S.STEEL HEX BOLT 7/16-14 X 4.5 | \$4.00 |
| 7 | 2 | | 1022791 | 7/16-14 S.S NUT | \$300.00 |
| | | B20460-20469 | | | |

NOTES: A- SEE REAR WHEEL PARTS BOOK
 B- SEE WHEEL LOCK PARTS BOOK

AQUA NTF POTTY

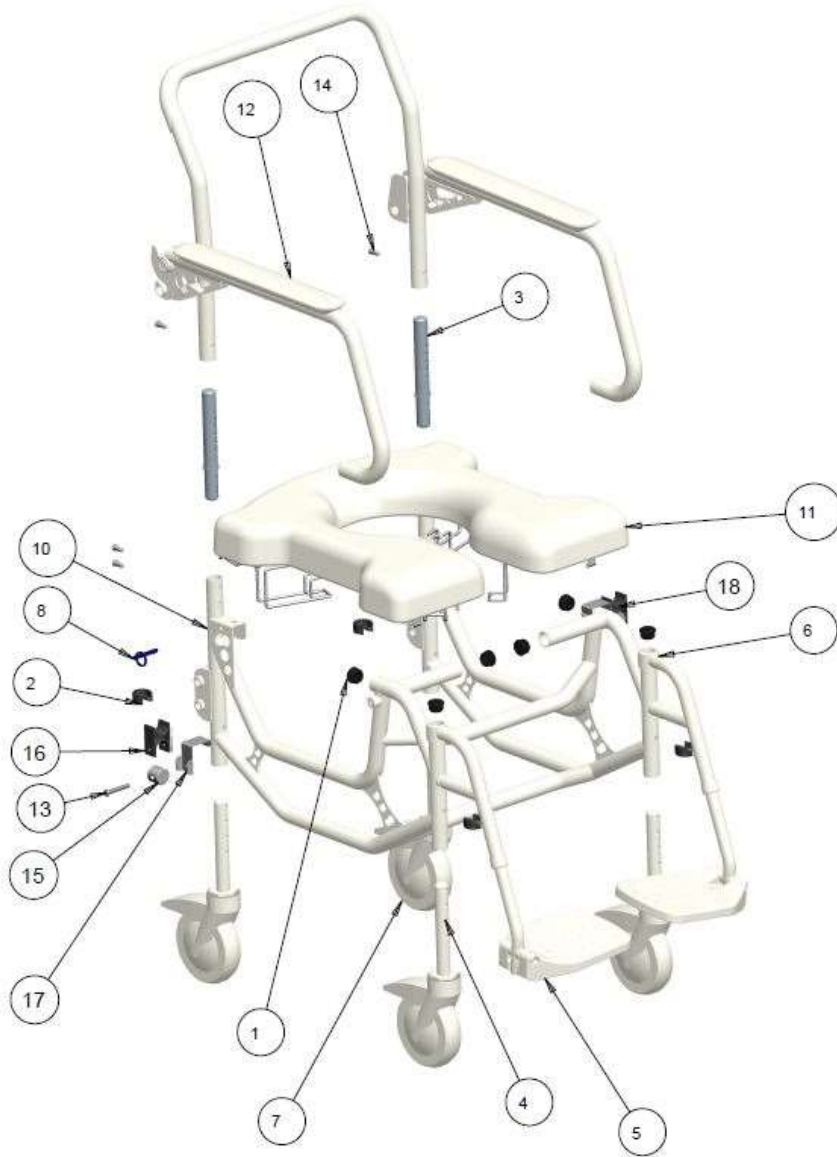


AQUA NTF POTTY - TABLE

| ITEM | QTY | NOTES | PART NO. | DESCRIPTION | PRICE/ PER UNIT |
|------|-----|------------------|----------|-------------------------|-----------------|
| 1 | 1 | | 1009168 | POTTY WITH LID INCLUDED | \$175.00 |
| | | B20495- 20497 | | | |

MISCELLANEOUS

AQUA NTF MISCELLANEOUS PARTS



AQUA NTF MISCELLANEOUS PARTS - TABLE

| ITEM | QTY | NOTES | PART NO. | DESCRIPTION | PRICE/ PER UNIT |
|------|-----|--------------|----------------|---|-----------------|
| 1 | 6 | | 1000392 | 1 INCH TUBE PLUG | \$3.00 |
| 2 | 4 | | 1009125 | SNAP CLIP 1.00 DIA | \$8.50 |
| 3 | 2 | | 1009157 | REAR TUBE HOLDER | \$75.00 |
| 4 | 4 | | 1009173 | CASTER STEM | \$50.00 |
| 5 | 1 | | REFERENCE | RIFGT LEG ASSEMBLY | REF |
| 6 | 1 | | REFERENCE | LEFT LEG ASSEMBLY | REF |
| 7 | 4 | | REFERENCE | TENTE CASRTER | REF |
| 8 | 2 | | 1016656 | S.S QUICK RELEASE PIN W/O SHOULDER | \$7.50 |
| 9 | 1 | | 1018246 | AX LINE | \$0.00 |
| 10 | 1 | | REFERENCE | BASE FRAME | REF |
| 11 | 1 | | REFERENCE | TOILETTE SEAT PAD | REF |
| 12 | 1 | | REFERENCE | BACK ASSY | REF |
| 13 | 1 | | 100783 | SCREW, SOCKET HEAD BUTTON 1/4-20 X 1.75 | \$3.00 |
| 14 | 6 | | 1020549 | SCREW, SOCKET HEAD BUTTON, 1/4-20NC X 5/8 S.STEEL | \$3.00 |
| 15 | 1 | | 1018669 | ARM REST ATTACHMENT | \$10.00 |
| 16 | 1 | | 1001624 | DUAL TUBE CLAMP SLIDER | \$5.00 |
| 17 | 1 | | 1018668 | ARM REST ATTACHMENT PLATE | \$10.00 |
| 18 | 2 | | 1018667 | ARMREST ATTACHMENT ASSY KIT (13,15,16,17) | \$35.00 |
| | | B20530-20549 | | | |