



**CANADA** | **USA**

6750 Professional Court, Mississauga,  
Ontario, L4V 1X6



1-888-737-4011



[www.futuremobility.ca](http://www.futuremobility.ca)



11126 Greenstone Ave, Santa Fe Springs  
CA 90670



1-888-342-3119



[www.futuremobility.com](http://www.futuremobility.com)

# PARTS MANUAL



REHAB COMMODE by FUTURE MOBILITY

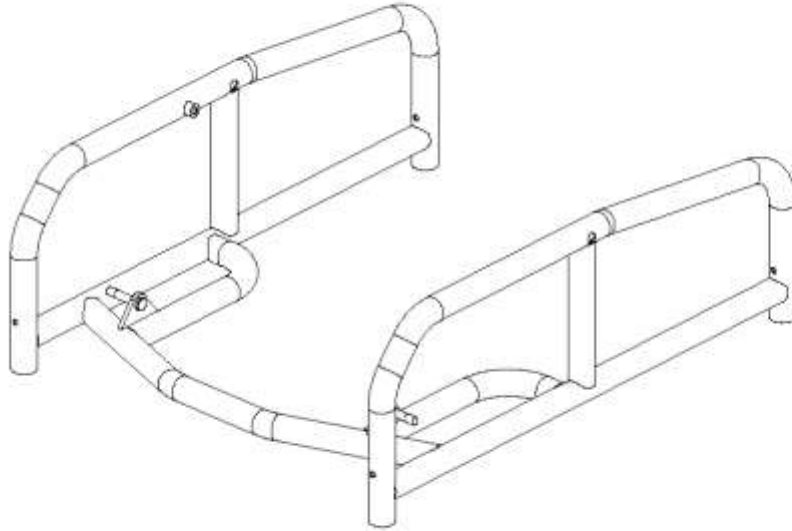
# TL

\* Part prices and configurations included in this Parts Manual are subject to change without prior notice.  
\* All prices are shown as per unit individual price.

# INDEX

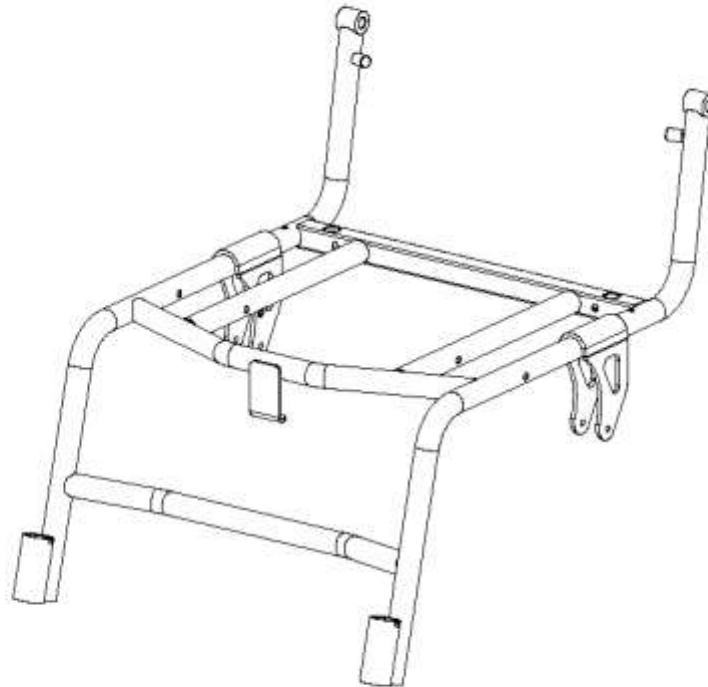
LOWER FRAME WELDMENT .....	3
SEAT WELDMENT .....	3
GAS CYLINDER ASSEMBLY .....	4
ARMREST FLIPUP ASSEMBLY .....	5
ARMREST TOP ASSEMBLY LT .....	6
ARMREST TOP ASSEMBLY RT .....	6
SWINGAWAY U-TUBE ASSEMBLY .....	7
CASTER STEM ASSEMBLY .....	8
BACK REST ASSEMBLY .....	8
ADJUSTABLE HEADREST ASSEMBLY .....	9
SEAT PAD ASSEMBLY – TILT COMMODE .....	10
POTTY .....	10
LASERCUT MAIN WIRE POTTY WELDMENT .....	11
TILT COMMODE ASSEMBLY .....	12

## LOWER FRAME WELDMENT



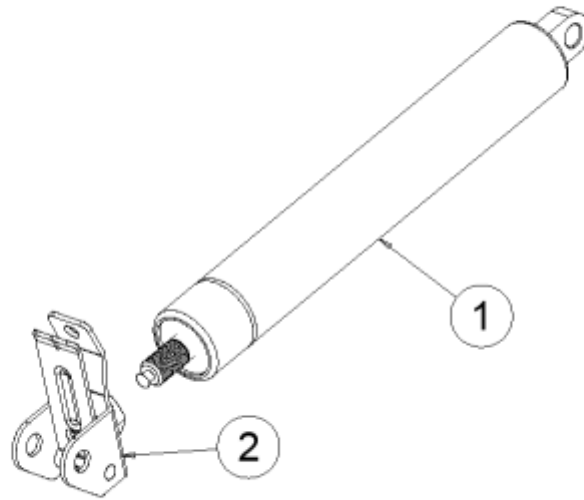
ITEM	QTY	NOTES	PART NO.	DESCRIPTION	PRICE/ PER UNIT
	1		1011827	LOWER FRAME WELDMENT	\$700.00
		B21125-21127			

## SEAT WELDMENT



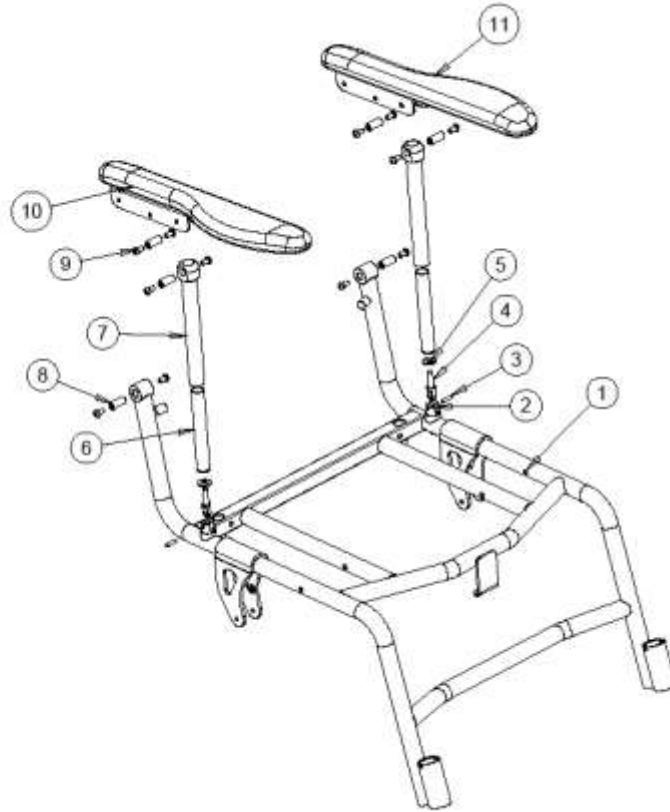
ITEM	QTY	NOTES	PART NO.	DESCRIPTION	PRICE/ PER UNIT
	1		1011835	SEAT WELDMENT	\$1,065.00
		B21140-21142			

# GAS CYLINDER ASSEMBLY



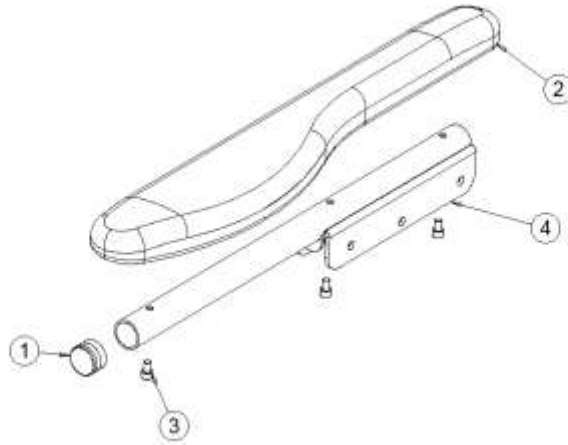
ITEM	QTY	NOTES	PART NO.	DESCRIPTION	PRICE/ PER UNIT
1	1		1013860	BLOC-O-LIFT 200N 80MM STROKE GAS CYLINDER	\$185.00
2	1		1001806	STABILIS ACTUATOR HEAVY	\$3.00
1-2	1		1011843	BLOC-O-LIFT 200N 80MM STROKE GAS CYLINDER ASSEMBLY	\$100.00
		B21160-21164			

## ARMREST FLIPUP ASSEMBLY



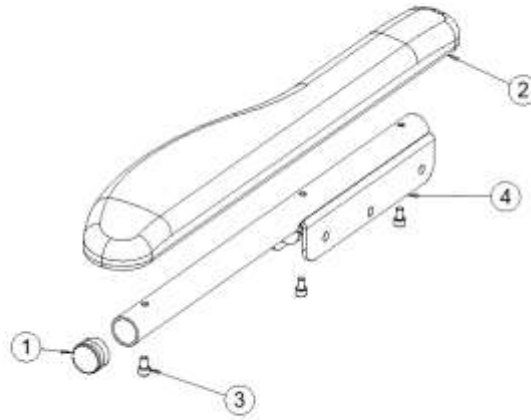
ITEM	QTY	NOTES	PART NO.	DESCRIPTION	PRICE/ PER UNIT
1	1		REF	SEAT WELDMENT	REF
2	2		1011856	ARMREST LOWER MOUNT PIVOT	\$12.00
3	2		1011909	SS PIN 3/16 DIA X .75	\$5.00
4	2		1011855	ARMREST THREADED INSERT STUD	\$24.00
5	2		1011862	SS WASHER .75 OD X .312 ID X 14 GAUGE	\$2.50
6	2		1011852	ARMREST INNER TUBE WITH INSERT	\$30.00
7	2		1011863	ARMREST OUTER TUBE WITH INSERT	\$65.00
8	6		1011858	ARMREST INSERT BRASS BUSHING TOP	\$10.00
9	12		1000411	SCREW,SOC BUTTON HEAD 1/4-20 X 1/2"	\$3.00
10	1		1011865	ARMREST TOP ASSEMBLY RT	\$150.00
11	1		1011864	ARMREST TOP ASSEMBLY LT	\$150.00
		B21195-21207			

## ARMREST TOP ASSEMBLY LT



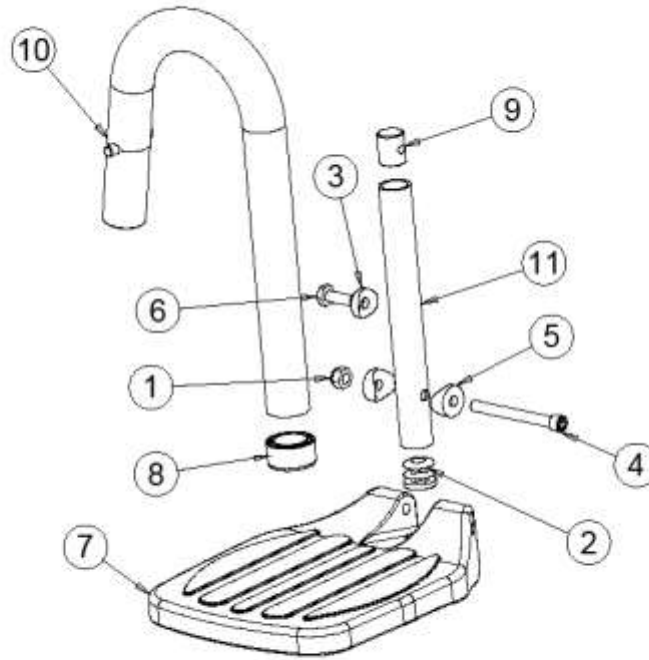
ITEM	QTY	NOTES	PART NO.	DESCRIPTION	PRICE/ PER UNIT
1	1		1000421	PLUG, UNIVERSAL BLACK 0.875 ROUND	\$2.50
2	1		1002539	ARMPAD WITH INSERT LT	\$75.00
3	3		1011298	SCREW, SOCKET HEAD CAP, 10-32NF X 5/16	\$3.00
4	1		1011859	ARMTOP TUBE WELDMENT	\$78.00
<b>1-4</b>	<b>1</b>		<b>1011864</b>	<b>ARMREST TOP ASSEMBLY LT</b>	<b>\$150.00</b>
		B21230-21236			

## ARMREST TOP ASSEMBLY RT



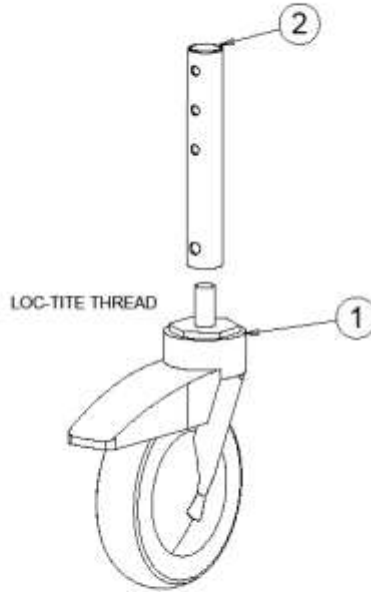
ITEM	QTY	NOTES	PART NO.	DESCRIPTION	PRICE/ PER UNIT
1	1		1000421	PLUG, UNIVERSAL BLACK 0.875 ROUND	\$2.50
2	1		1002538	ARMPAD WITH INSERT RT	\$75.00
3	3		1011298	SCREW, SOCKET HEAD CAP, 10-32NF X 5/16	\$3.00
4	1		1011859	ARMTOP TUBE WELDMENT	\$78.00
<b>1-4</b>	<b>1</b>		<b>1011865</b>	<b>ARMREST TOP ASSEMBLY RT</b>	<b>\$150.00</b>
		B21265-21271			

## SWINGAWAY U-TUBE ASSEMBLY



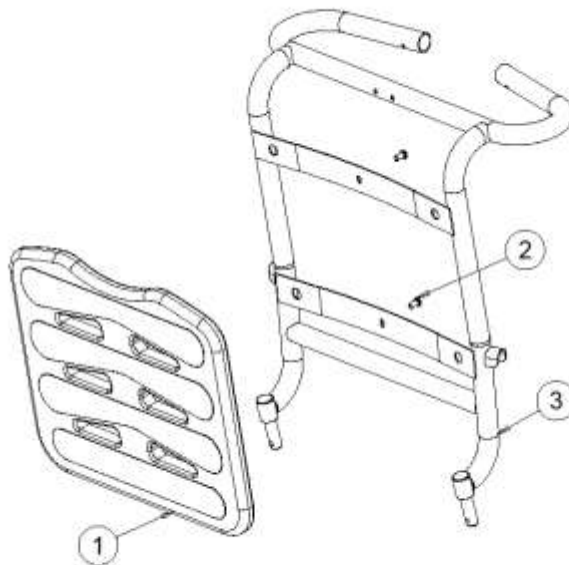
ITEM	QTY	NOTES	PART NO.	DESCRIPTION	PRICE/ PER UNIT
1	1		1000014	NUT, HEX, NYLOCK 1/4-20 NC	\$2.00
2	1		1000018	ROUND PLUG TUBE	\$2.50
3	1		1000113	SPACER, COVED 1/4 X 1.0 DIA	\$3.50
4	1		1000492	SCREW, SOCKET HEAD CAP, 1/4-20X2.1/2	\$3.00
5	2		1000904	DIA. 0.75 COVED SPACER , 0.25" BOLT	\$3.50
6	1		1000905	BOLT HEX 1/4-20 X 0.75	\$3.00
7	1		1001444	FOOTPLATE, FLIP-UP, COMPOSITE MEDIUM	\$50.00
8	1		1001869	GLIDE BUSHING, 1.00 TO 0.75 (.083) WALL	\$5.00
9	1		1009132	LOCKING SLUG	\$10.00
10	1		1011866	SWINGAWAY WELDMENT U-TUBE	\$120.00
11	1		1011870	FOOTREST ADJ. STEM	\$27.00
1-11	1		1011869	SWINGAWAY U-TUBE ASSEMBLY LT - SHOWN	\$200.00
1-11	1		1013307	SWINGAWAY U-TUBE ASSEMBLY RT - OPPOSITE	\$200.00
		B21300-21314			

## CASTER STEM ASSEMBLY



ITEM	QTY	NOTES	PART NO.	DESCRIPTION	PRICE/ PER UNIT
1	1		1009167	TOTAL LOCK SS CASTER	\$124.00
2	1		1011876	CASTER STEM WELDMENT	\$75.00
1-2	1		1011875	CASTER STEM ASSEMBLY	\$195.00
		B21335-21339			

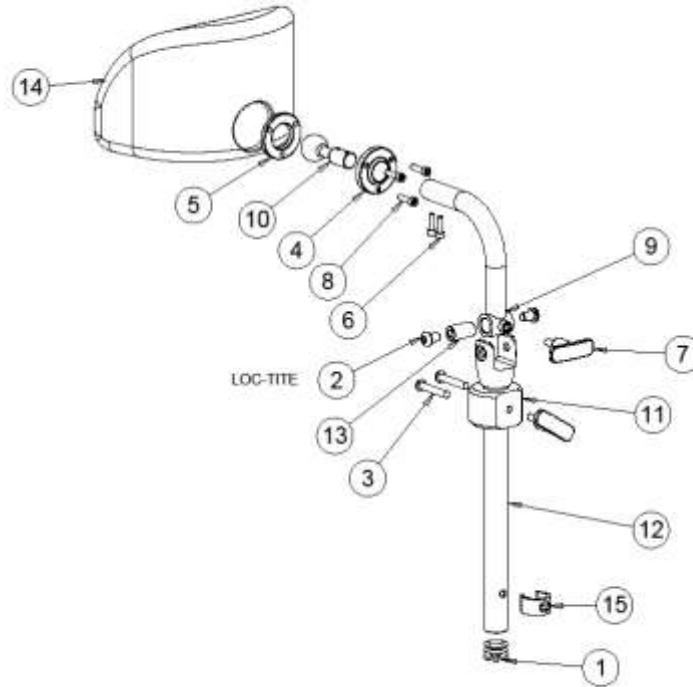
## BACK REST ASSEMBLY



ITEM	QTY	NOTES	PART NO.	DESCRIPTION	PRICE/ PER UNIT
1	1		1011893	BACK SUPPORT MOLD – FOAM SKINNED	\$200.00
2	1		1000411	SCREW,SOC BUTTON HEAD 1/4-20 X 1/2"	\$3.00
3	1		1011880	BACK FRAME WELDMENT	\$450.00
		B21370-21374			

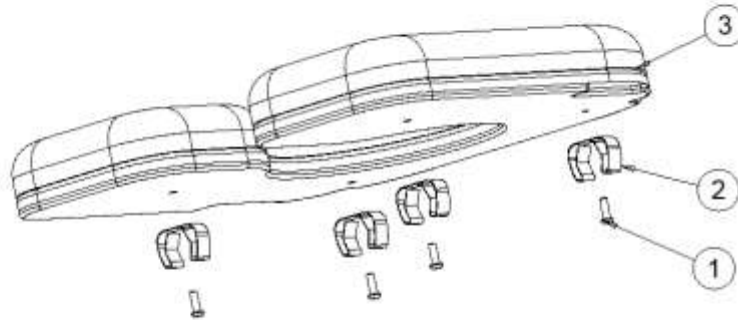


# ADJUSTABLE HEADREST ASSEMBLY



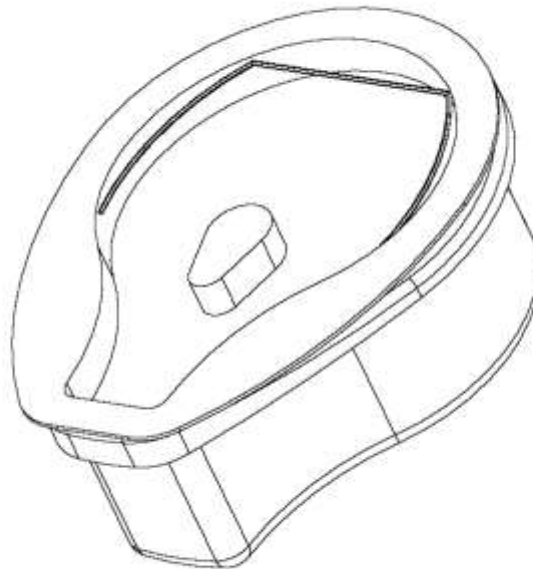
ITEM	QTY	NOTES	PART NO.	DESCRIPTION	PRICE/ PER UNIT
1	1		1000421	PLUG, UNIVERSAL BLACK 0.875 ROUND	\$2.50
2	2		1000413	SCREW, SOCKET HEAD BUTTON 5/16-18 X 0.5	\$3.75
3	2		1000493	SCREW, SOCKET HEAD BUTTON 1/4-20 X 1.50	\$3.00
4	1		1001198	FACE PLATE, BALL SOCKET CLAMP	\$20.10
5	1		1001200	SPACER PLATE, BALL SOCKET CLAMP	\$26.32
6	2		1001203	SCREW, SOCKET HEAD CAP, 10-32NF X 5/8	\$3.25
7	2		1005259	T-HANDLE ROUNDED	\$17.00
8	3		1006241	SCREW, SOCKET HEAD CAP, 10-32NFX 3/4	\$3.00
9	1		1011895	HEADREST CURVED STEM WELDMENT	\$13.30
10	1		1011897	SS BALL-JOINT, 1" DIA	\$5.30
11	1		1011898	MAIN LOCK COLLAR HOUSING	\$60.00
12	1		1011900	HEADREST STRAIGHT STEM WELDMENT	\$15.00
13	1		1011903	PIVOT BUSHING, UPPER CLAMP	\$4.00
14	1		1011906	FOAM SKINNED HEADREST HJ-03	\$150.00
15	1		1011908	SNAP CLIP .875 DIA	\$8.50
<b>1-15</b>	<b>1</b>		<b>1011894</b>	<b>ADJUSTABLE HEADREST ASSEMBLY</b>	<b>\$450.00</b>
		B21405-21422			

## SEAT PAD ASSEMBLY – TILT COMMODE



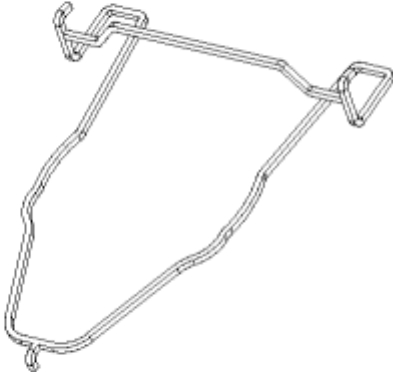
ITEM	QTY	NOTES	PART NO.	DESCRIPTION	PRICE/ PER UNIT
1	4		1001391	SCREW, SOCKET HEAD BUTTON, 1/4-20NC X 3/4	\$3.00
2	4		1009174	SEAT LOCK	\$8.00
3	1		1013309	SEAT PAD GLUED (WOOD, ABS & FOAM + COVER)	\$320.00
1-3	1		1011917	SEAT PAD ASSEMBLY – TILT COMMODE	\$325.00
		B21440-21445			

## POTTY



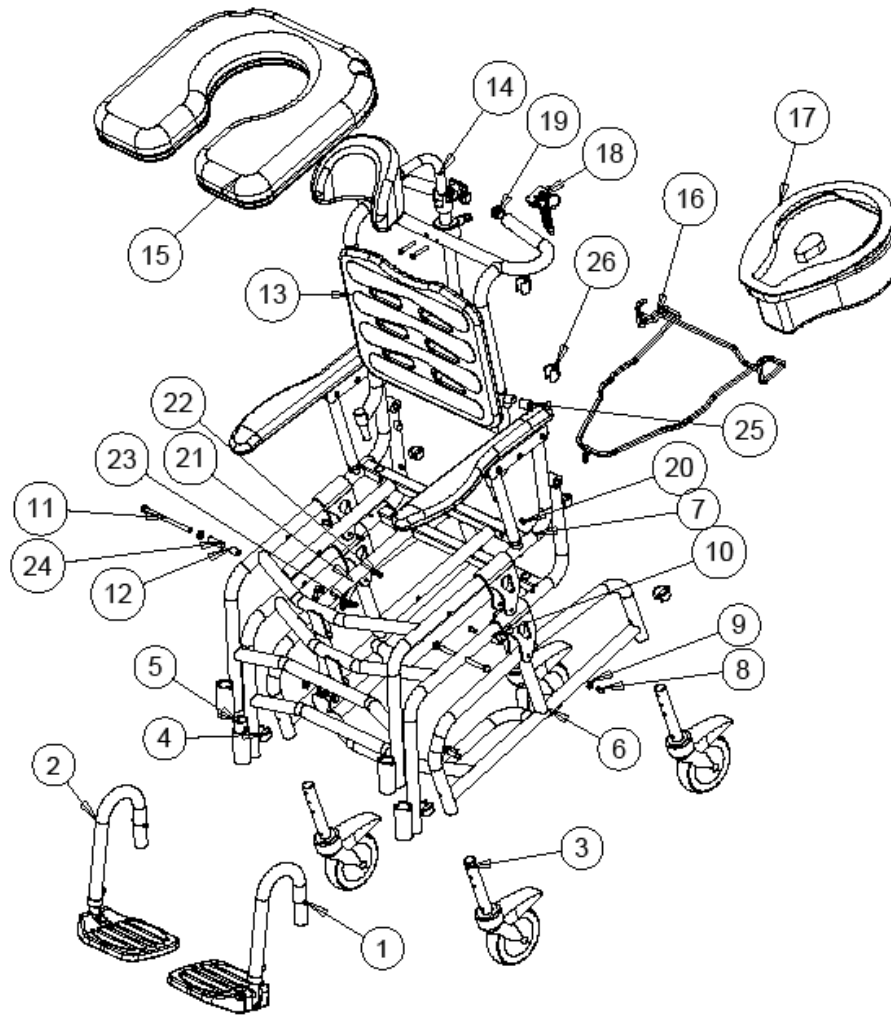
ITEM	QTY	NOTES	PART NO.	DESCRIPTION	PRICE/ PER UNIT
1	1		1009179	COMMODE POTTY	\$175.00
		B21460-21462			

# LASERCUT MAIN WIRE POTTY WELDMENT



ITEM	QTY	NOTES	PART NO.	DESCRIPTION	PRICE/ PER UNIT
1	1		1011926	LASERCUT MAIN WIRE POTTY WELDMENT	\$42.00
		B21470-21472			

# TILT COMMODE ASSEMBLY



ITEM	QTY	NOTES	PART NO.	DESCRIPTION	PRICE/ PER UNIT
1	1		REF	SWINGAWAY U-TUBE ASSEMBLY LT	REF
2	1		REF	SWINGAWAY U-TUBE ASSEMBLY RT	REF
3	4		REF	CASTER STEM ASSEMBLY	REF
4	6		1009125	SNAP CLIP	\$8.50
5	2		1002720	NYLINER BUSHING 1.00 ID 1.125 LG	\$10.00
6	1		REF	LOWER WELDMENT	REF
7	1		REF	SEAT WELDMENT	REF
8	4		1000411	SCREW,SOC BUTTON HEAD 1/4-20 X 1/2"	\$3.00
9	3		1011871	WASHER .625 OD X 11/32 ID X .063	\$1.50
10	1		1011910	MAIN PIVOT INSERT BRASS BUSHING	\$9.00
11	1		1011872	SS HEX BOLT 5/16 X 4.5	\$3.00
12	1		1011873	SPACER -5/16 BOLT .70 LG	\$2.00
13	1		REF	BACK REST ASSEMBLY	REF
14	1		REF	ADJUSTABLE HEADREST ASSEMBLY	REF
15	1		REF	SEAT PAD ASSEMBLY – TILT COMMODE	REF
16	1		REF	LASERCUT MAIN WIRE POTTY WELDMENT	REF
17	1		REF	COMMODE POTTY	REF
18	1		1010692	STROLLER TRIGGER HANDLE ASS'Y	\$43.00
19	2		1000392	1 INCH TUBE PLUG	\$3.00
20	2		1011911	RUBBER GROMMET .187 ID .065 ALLIANCE PLASTICS # GR-3081	\$2.00
21	1		1011849	TILT LIMITING BAR	\$18.00
22	2		1000403	SCREW, SOC HD CAP, 1/4-20 X 0.5	\$3.00
23	1		1000014	NUT, HEX, NYLOCK 1/4-20 NC	\$2.00
24	1		1011874	SPACER -5/16 BOLT 1.45 LG	\$3.00
25	2		1011912	PVC HOSE ID 1/2 OD 3/4	\$1.00
26	2		1011913	CABLE RETAINER .875-1.00 TUBE	\$6.00
		B21475-21502			