



CANADA | **USA**

6750 Professional Court, Mississauga,
Ontario, L4V 1X6



1126 Greenstone Ave, Santa Fe Springs
CA 90670

1-888-737-4011



1-888-342-3119

www.futuremobility.ca



www.futuremobility.com

PARTS MANUAL

NORTHERN LITE by FUTURE MOBILITY

* Part prices and configurations included in this Parts Manual are subject to change without prior notice.

* All prices are shown as per unit individual price.

Contents

FRAMES AND CROSSBRACE	5
NORTHERN-LITE SIDE FRAMES	5
NORTHERN-LITE CROSSBRACE MOUNTING HARDWARE ASS'Y	7
NORTHERN-LITE CROSSBRACE HARDWARE ASS'Y	9
SEAT SLING	11
NORTHERN-LITE SEAT SLING WITH RODS	11
BACK SLING	13
NORTHERN-LITE SLING BACK HARDWARE ASS'Y	13
NORTHERN-LITE ADJUSTABLE TENSION BACK HARDWARE ASS'Y	15
ARMS.....	17
NORTHERN-LITE T-STYLE PIN RELEASE ARMREST MOUNTING ASS'Y	17
CASTERS AND FORKS	19
NORTHERN-LITE CASTER HOUSING AND FORKS	19
REAR WHEELS AND MOUNTS	21
NORTHERN-LITE AXLE PLATE HARDWARE ASS'Y	21
NORTHERN-LITE REAR-WHEEL MOUNTING ASS'Y	23
NORTHERN LITE STF CHART	25
ANTI-TIPS	27
NORTHERN-LITE ANTI TIPPER HARDWARE ASS'Y	27
SWINGAWAY LEGREST	29
NORTHERN-LITE UPGRADED U-BOLT SWINGAWAY LEGREST	29
FOOTREST STEM AND PLATE	31
NORTHERN-LITE FOOTREST STEM AND PLATE	31
BACK CANES.....	31
NORTHERN-LITE FIXED CANE MOUNTING ASS'Y	31
WHEEL LOCKS	33
NORTHERN-LITE SLIDE-ON WHEEL LOCKS MOUNTING	33
LIGHT WHEEL LOCK HANDLE EXTENSION.....	35

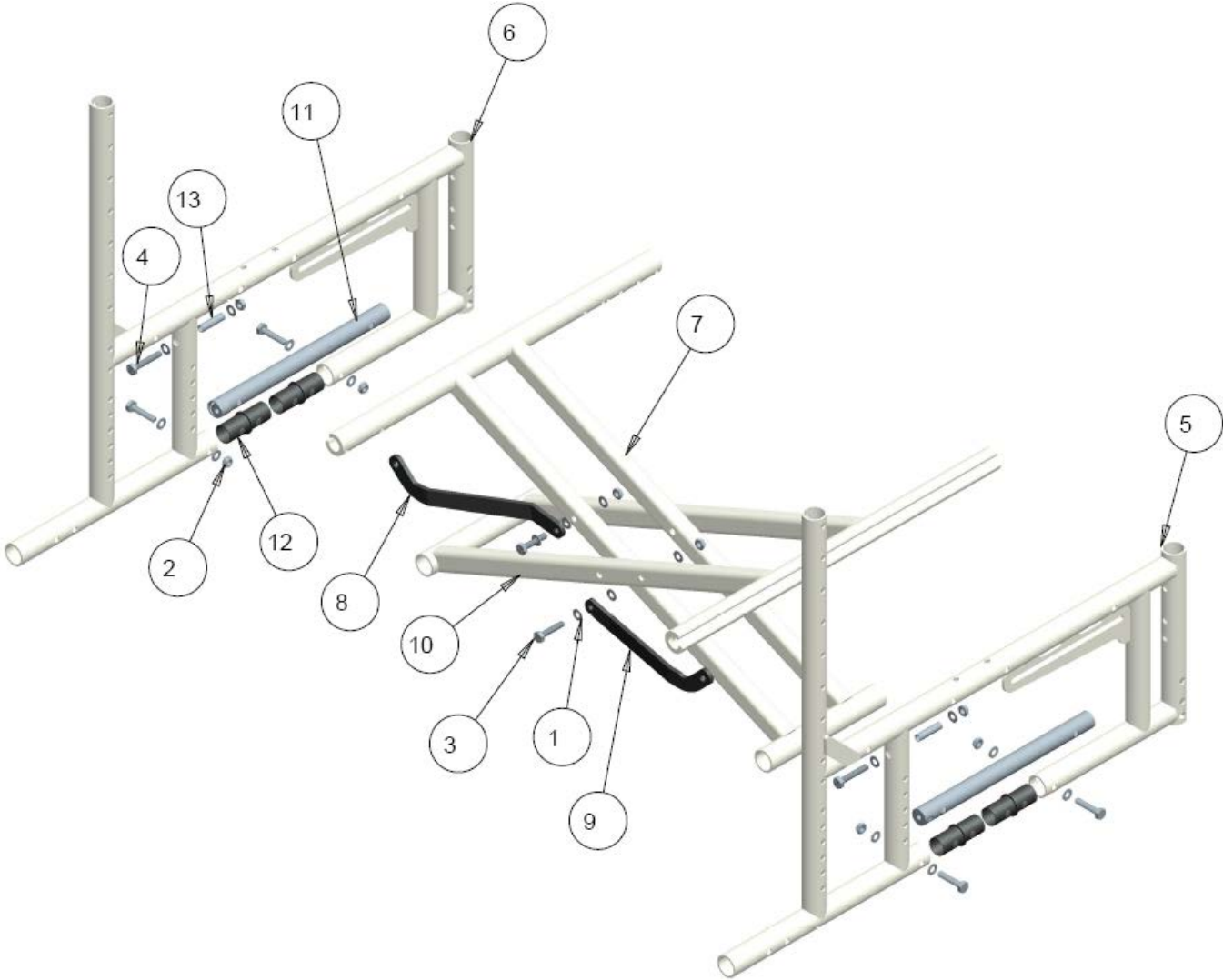
FRAMES AND CROSSBRACE
NORTHERN-LITE SIDE FRAMES

NORTHERN-LITE SIDE FRAMES – TABLE

ITEM	QTY	NOTES	PART NO.	DESCRIPTION	PRICE/ PER UNIT
1	2		1000397	NUT, HEX-NYLOCK THIN, 1/4-20NC	\$2.00
2	2		1000493	SCREW, SOCKET HEAD BUTTON 1/4-20 X 1.50	\$3.00
3	2		1001624	DUAL TUBE CLAMP SLIDER	\$5.00
4	1		1027994	SIDE FRAME WELDMENT 16" DEEP, RT	\$275.00
	1		1027996	SIDE FRAME WELDMENT 18" DEEP, RT	\$275.00
	1		1027998	SIDE FRAME WELDMENT 20" DEEP, RT	\$275.00
	1		1028000	SIDE FRAME WELDMENT 16" DEEP, LT	\$275.00
	1		1028002	SIDE FRAME WELDMENT 18" DEEP, LT	\$275.00
	1		1028004	SIDE FRAME WELDMENT 20" DEEP, LT	\$275.00
		B14105-14115			

NOTES:

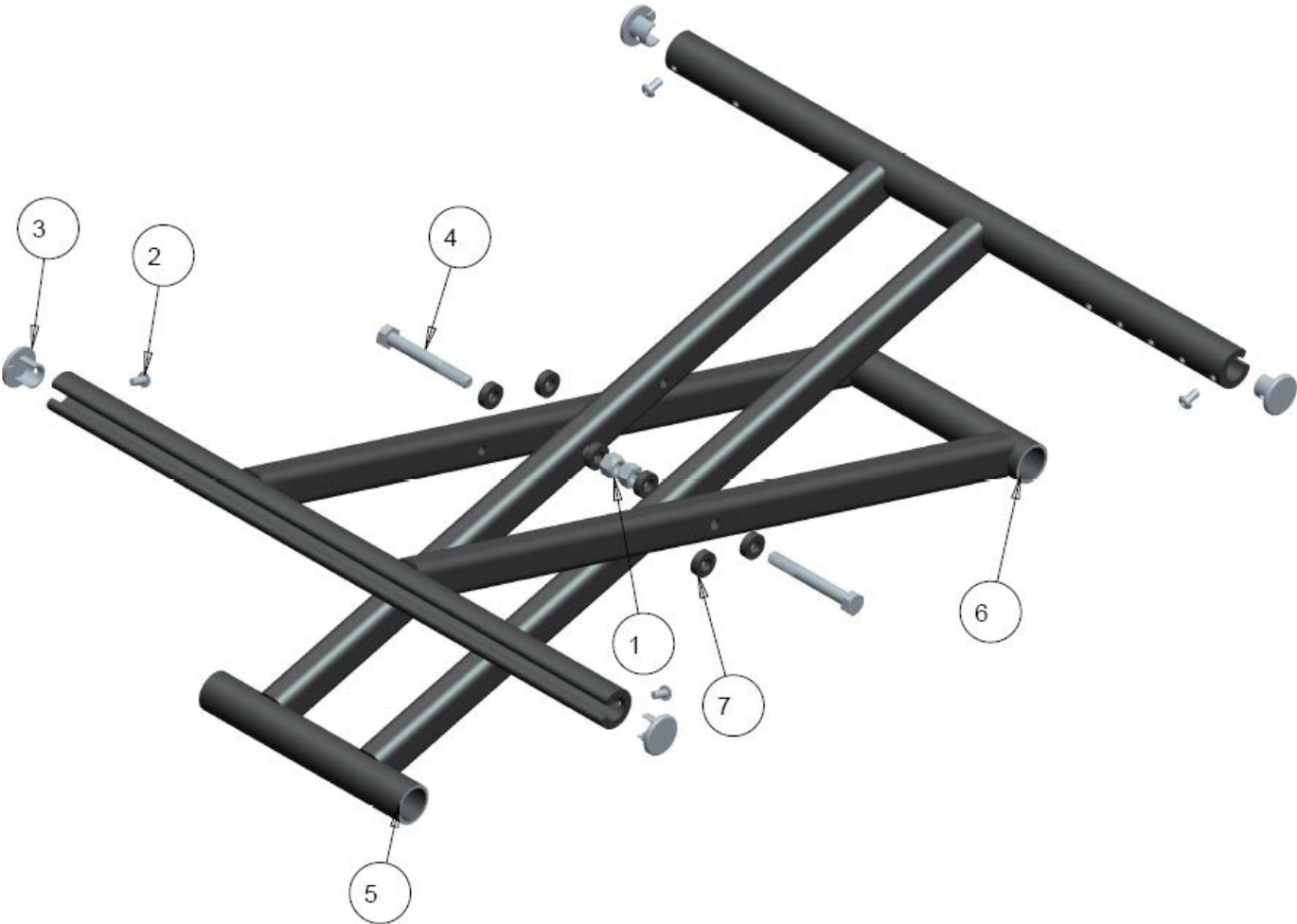
NORTHERN-LITE CROSSBRACE MOUNTING HARDWARE ASS'Y



NORTHERN-LITE CROSSBRACE MOUNTING ASSY – TABLE

ITEM	QTY	NOTES	PART NO.	DESCRIPTION	PRICE/ PER UNIT
2	8		1000397	NUT, HEX-NYLOCK THIN, 1/4-20NC	\$2.00
3	6		1018933	HEX BOLT 1/4-20NC, X1.25"	\$3.00
4	2		1018937	HEX BOLT 1/4-20NC, X 1.5"	\$3.00
5	1		REF	SIDE FRAME WELDMENT, RT	REF
6	1		REF	SIDE FRAME WELDMENT,LT	REF
7	1		REF	INSIDE CROSSBAR WELDMENT	REF
8	1		1028030	INSIDE CROSSBAR LOCK LINKAGE, 16" WIDE CHAIR	\$35.00
	1		1028032	INSIDE CROSSBAR LOCK LINKAGE, 18" WIDE CHAIR	\$35.00
	1		1028034	INSIDE CROSSBAR LOCK LINKAGE, 20" WIDE CHAIR	\$35.00
9	1		1028036	OUTSIDE CROSSBAR LOCK LINKAGE, 16" WIDE CHAIR	\$35.00
	1		1028038	OUTSIDE CROSSBAR LOCK LINKAGE, 18" WIDE CHAIR	\$35.00
	1		1028040	OUTSIDE CROSSBAR LOCK LINKAGE, 20" WIDE CHAIR	\$35.00
10	1		REF	OUTSIDE CROSSBAR WELDMENT	REF
11	2		1026409	PIVOT JOURNAL WELDMENT	\$35.00
12	8		1027986	CROSS BRACE INSERT BUSHING	\$9.00
13	2		1028141	BUSHING, X .25" ID, X.312 OD, X1.25 LONG	\$5.00
		B14140-14157			

NORTHERN-LITE CROSSBRACE HARDWARE ASS'Y



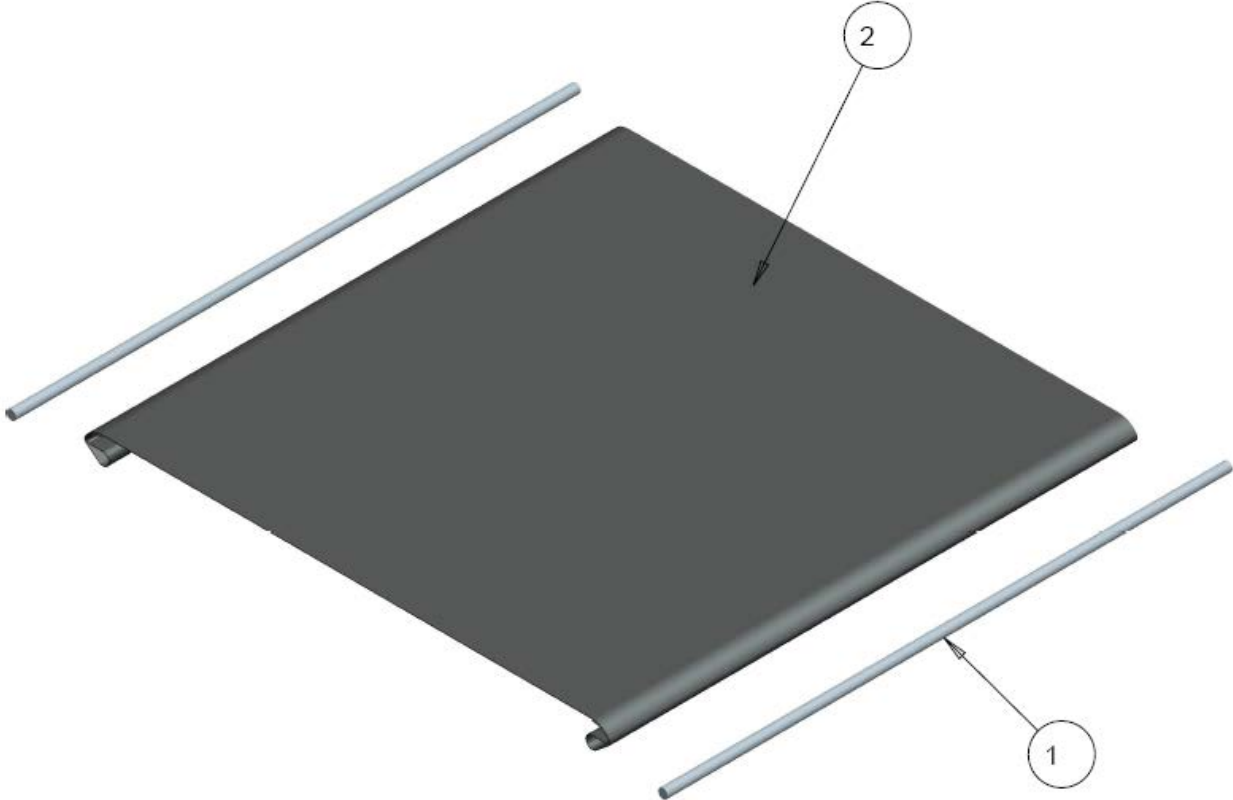
NORTHERN-LITE CROSSBRACE HARDWARE – TABLE

ITEM	QTY	NOTES	PART NO.	DESCRIPTION	PRICE/ PER UNIT
1	2		1000034	NUT, HEX, NYLOCK 5/16-18NC	\$2.00
2	4		1000226	SCREW SOC BUTTON HEAD #10-32 X 0.375	\$3.00
3	4		1004213	END PLUG SEAT RAIL	\$15.00
4	2		1018939	HEX BOLT 1/4-20NC, X 2.5"	\$3.00
5	1		1028006	INNER CROSSBAR WELDMENT, 16" WIDE CHAIR	\$135.00
	1		1028008	INNER CROSSBAR WELDMENT, 18" WIDE CHAIR	\$135.00
	1		1028010	INNER CROSSBAR WELDMENT, 20" WIDE CHAIR	\$135.00
6	1		1028012	OUTER CROSSBAR WELDMENT, 16" WIDE CHAIR	\$135.00
	1		1028014	OUTER CROSSBAR WELDMENT, 18" WIDE CHAIR	\$135.00
	1		1028016	OUTER CROSSBAR WELDMENT, 20" WIDE CHAIR	\$135.00
7	6		1026376	.20" THK SPACER	\$2.00
		B14175-14187			

NOTES:

SEAT SLING

NORTHERN-LITE SEAT SLING WITH RODS



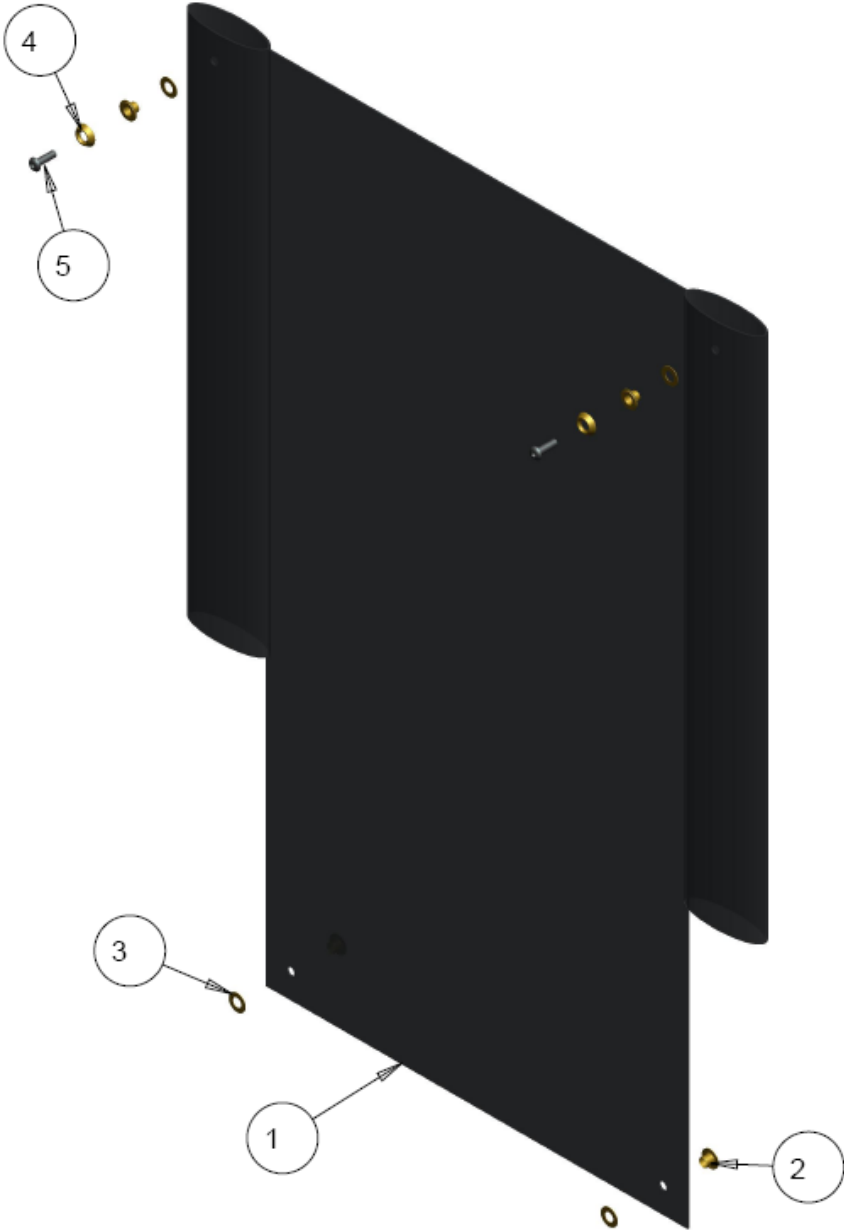
NORTHERN-LITE SEAT SLING WITH RODS – TABLE

ITEM	QTY	NOTES	PART NO.	DESCRIPTION	PRICE/ PER UNIT
1	2		1004208	INSERT ROD, SEAT SLING, 16"	\$13.00
	2		1004210	INSERT ROD, SEAT SLING, 18"	\$13.00
	2		1004212	INSERT ROD, SEAT SLING, 20"	\$13.00
2	1		1004615	SEAT UPHOLSTERY WITH VELCRO (WXD) 16X16	\$90.00
	1		1004617	SEAT UPHOLSTERY WITH VELCRO (WXD) 16X18	\$90.00
	1		1004619	SEAT UPHOLSTERY WITH VELCRO (WXD) 16X20	\$90.00
	1		1004627	SEAT UPHOLSTERY WITH VELCRO (WXD) 18X16	\$90.00
	1		1004629	SEAT UPHOLSTERY WITH VELCRO (WXD) 18X18	\$90.00
	1		1004631	SEAT UPHOLSTERY WITH VELCRO (WXD) 18X20	\$90.00
	1		1004641	SEAT UPHOLSTERY WITH VELCRO (WXD) 20X18	\$90.00
	1		1004643	SEAT UPHOLSTERY WITH VELCRO (WXD) 20X20	\$90.00
	1		1024775	KIT, SLING SEAT WITH RODS, 16X16 (ITEMS 1-2)	\$104.00
	1		1024785	KIT, SLING SEAT WITH RODS, 16X18 (ITEMS 1-2)	\$104.00
	1		1024799	KIT, SLING SEAT WITH RODS, 16X20 (ITEMS 1-2)	\$104.00
	1		1024777	KIT, SLING SEAT WITH RODS, 18X16 (ITEMS 1-2)	\$104.00
	1		1024787	KIT, SLING SEAT WITH RODS, 18X18 (ITEMS 1-2)	\$104.00
	1		1025301	KIT, SLING SEAT WITH RODS, 18X20 (ITEMS 1-2)	\$104.00
	1		1024789	KIT, SLING SEAT WITH RODS, 20X18 (ITEMS 1-2)	\$104.00
	1		1025303	KIT, SLING SEAT WITH RODS, 20X20 (ITEMS 1-2)	\$104.00
		B14210-14230			

NOTES:

BACK SLING

NORTHERN-LITE SLING BACK HARDWARE ASS'Y



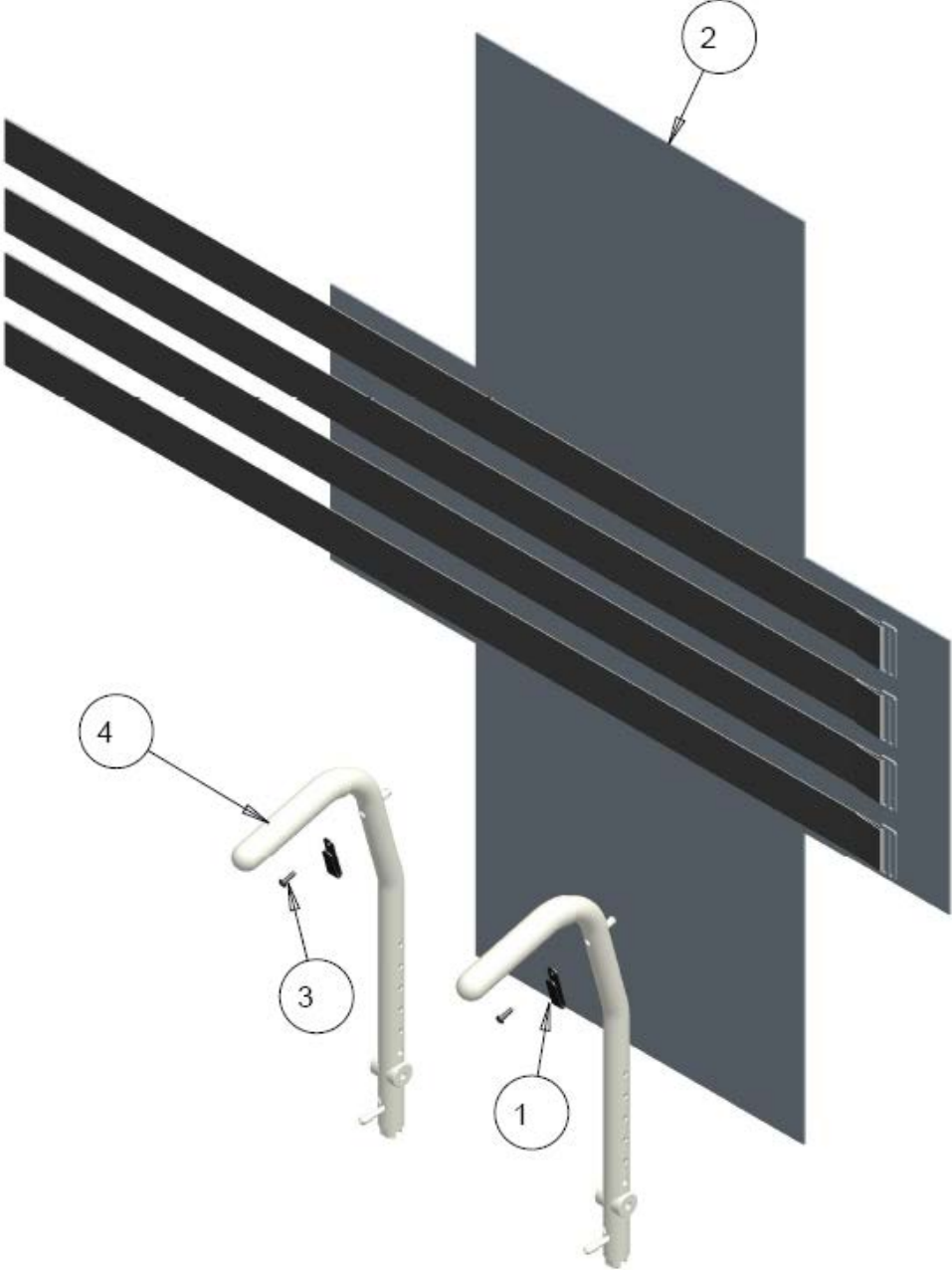
NO

ITEM	QTY	NOTES	PART NO.	DESCRIPTION	PRICE/ PER UNIT
1	1		1004415	SLING BACK UPHOLSTERY - LOW, 16" WIDTH	\$85.00
	1		1004417	SLING BACK UPHOLSTERY - LOW, 18" WIDTH	\$85.00
	1		1004419	SLING BACK UPHOLSTERY - LOW, 20" WIDTH	\$85.00
	1		1004421	SLING BACK UPHOLSTERY - HI, 16" WIDTH	\$85.00
	1		1004423	SLING BACK UPHOLSTERY - HI, 18" WIDTH	\$85.00
	1		1004425	SLING BACK UPHOLSTERY - HI, 20" WIDTH	\$85.00
2	4		1004467	GROMMET HOUSING ID .253 X OD .546	\$3.00
3	4		1004468	GROMMET WASHER .285 ID X .545 OD	\$1.50
4	2		1005240	GROMMET HOUSING PROTECTOR	\$1.50
5	2		1000193	SCREW, SOCKET HEAD BUTTON, #10-32NF X 5/8	\$4.00
	1		1019002	KIT, SLING BACK - LOW ASS'Y, 16" WIDTH (ITEMS 1-5)	\$102.00
	1		1019004	KIT, SLING BACK - LOW ASS'Y, 18" WIDTH (ITEMS 1-5)	\$102.00
	1		1019006	KIT, SLING BACK - LOW ASS'Y, 20" WIDTH (ITEMS 1-5)	\$102.00
	1		1019009	KIT, SLING BACK - HI ASS'Y, 16" WIDTH (ITEMS 1-5)	\$102.00
	1		1019011	KIT, SLING BACK - HI ASS'Y, 18" WIDTH (ITEMS 1-5)	\$102.00
	1		1019013	KIT, SLING BACK - HI ASS'Y, 20" WIDTH (ITEMS 1-5)	\$102.00
		B14245-14262			

RATHERN-LITE SLING BACK HARDWARE – TABLE

NOTES:

NORTHERN-LITE ADJUSTABLE TENSION BACK HARDWARE ASS'Y



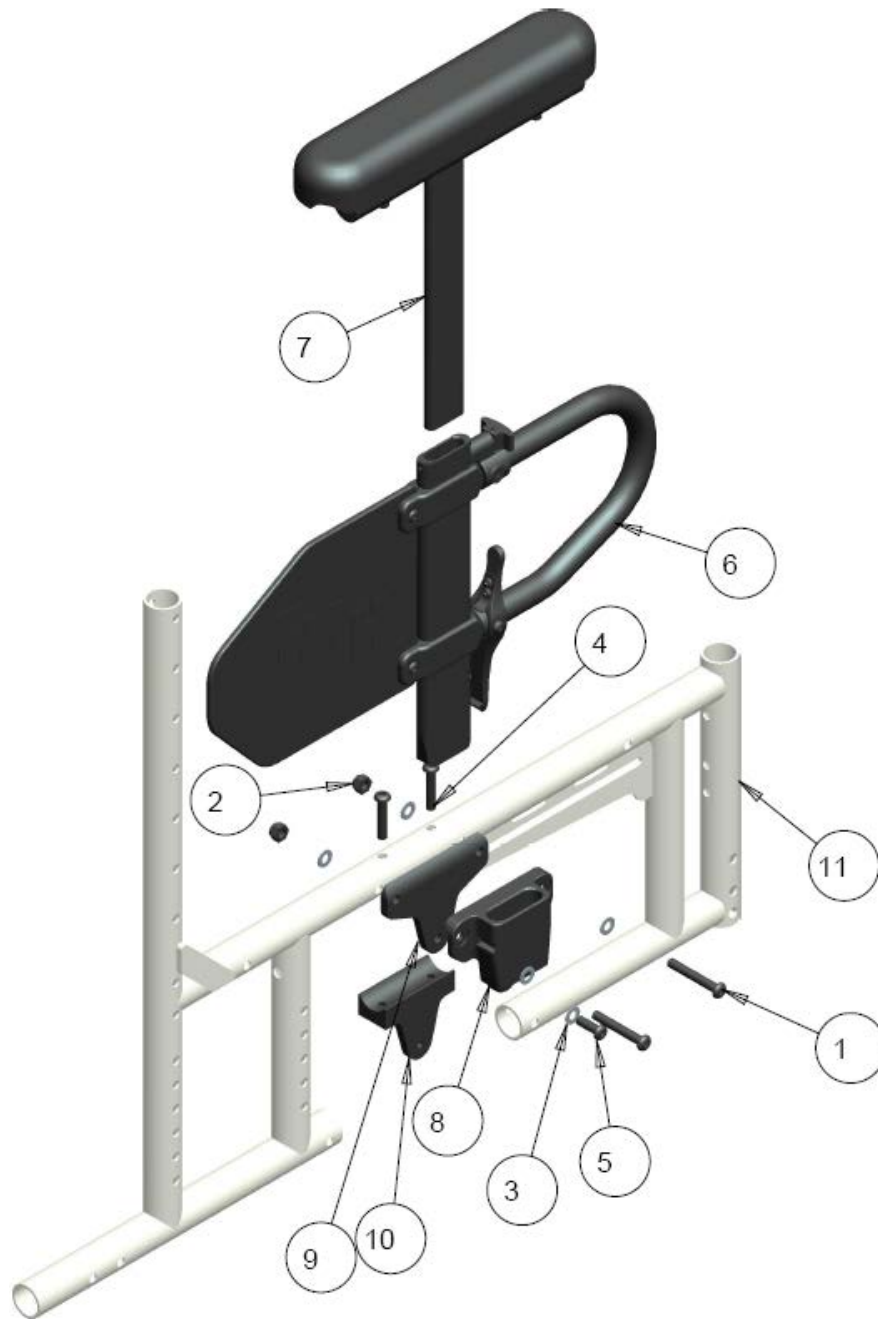
NORTHERN-LITE ADJUSTABLE TENSION BACK HARDWARE ASS'Y – TABLE

ITEM	QTY	NOTES	PART NO.	DESCRIPTION	PRICE/ PER UNIT
1	2		1004970	TENSION BACK HOOK	\$9.00
2	1		1004963	TENSION BACK LOW	\$115.00
	1		1004966	TENSION BACK HIGH	\$115.00
3	2		1000193	SCREW, SOCKET HEAD BUTTON, #10-32NF X 5/8	\$4.00
4	2		REF	BACKPOST ASS'Y, GENERAL	REF
	1		1025306	KIT, TENSION BACK LOW ASS'Y (ITEMS 1-3)	\$281.00
	1		1025307	KIT, TENSION BACK LOW ASS'Y (ITEMS 1-3)	\$127.00
		B14280-14288			

NOTES:

ARMS

NORTHERN-LITE T-STYLE PIN RELEASE ARMREST MOUNTING ASS'Y



NORTHERN-LITE T-STYLE PIN RELEASE ARMREST MOUNTING – TABLE

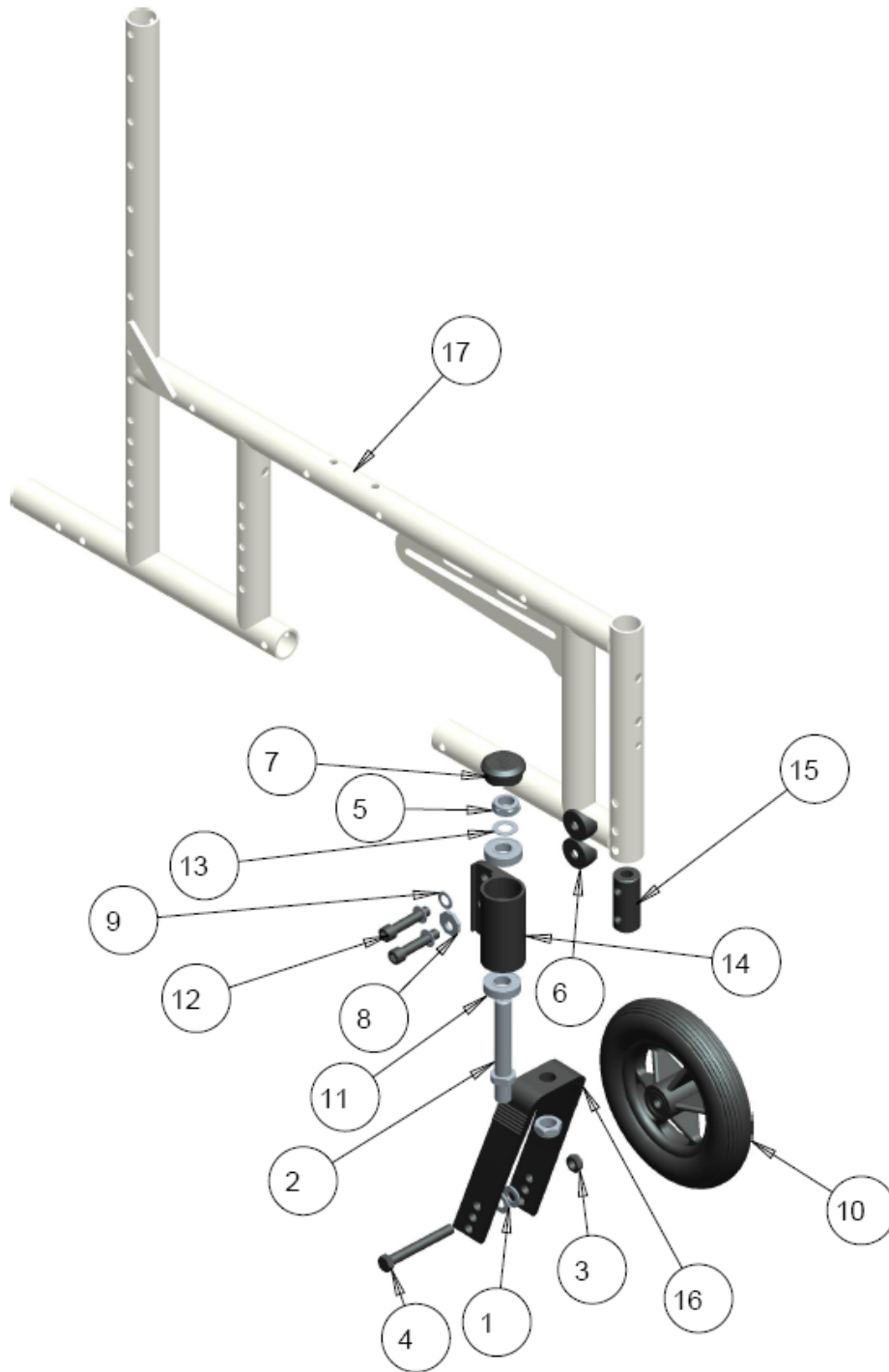
ITEM	QTY	NOTES	PART NO.	DESCRIPTION	PRICE/ PER UNIT
1	2		1000783	SCREW, SOCKET HEAD BUTTON 1/4-20 X 1.75	\$4.00
2	2		1000014	NUT, HEX, NYLOCK 1/4-20NC	\$2.00
3	5		1000027	WASHER FLAT 1/4", ID .257, OD 0.50, THK .032	\$2.00
4	2		1000416	SCREW SOCKET HEAD BUTTON, 1/4-20 X 1.25	\$3.00
5	1		1001391	SCREW, SOCKET HEAD BUTTON, 1/4-20NC X 3/4	\$3.00
6	1		1010902	KIT, ARM-REST MID (ADULT SIZE) ASS'Y	\$233.00
7	1		1010524	KIT, ARM-REST TOP DESK LENGTH, RT	\$104.00
	1		1010525	KIT, ARM-REST TOP DESK LENGTH, LT	\$104.00
	1		1010526	KIT, ARM-REST TOP FULL LENGTH, RT	\$110.00
	1		1010527	KIT, ARM-REST TOP FULL LENGTH, LT	\$110.00
8	1		1011236	ARM-REST BASE 3-HOLE	\$44.00
9	1		1015358	3-POINT 1/4" RISER BLOCK	\$14.00
10	1		1017986	BACK STOP- ARM BASE 3-POINT TAPPED	\$40.00
11	1		REF	SIDE FRAME WELDMENT, RT	REF
		B1431514330			

NOTES:

NOTE: PLEASE SEE PARTS LIBRARY – [ARMRESTS](#) FOR BREAKDOWN OF PARTS FOR [PIN RELEASE T-STYLE ARMS](#)

CASTERS AND FORKS

NORTHERN-LITE CASTER HOUSING AND FORKS



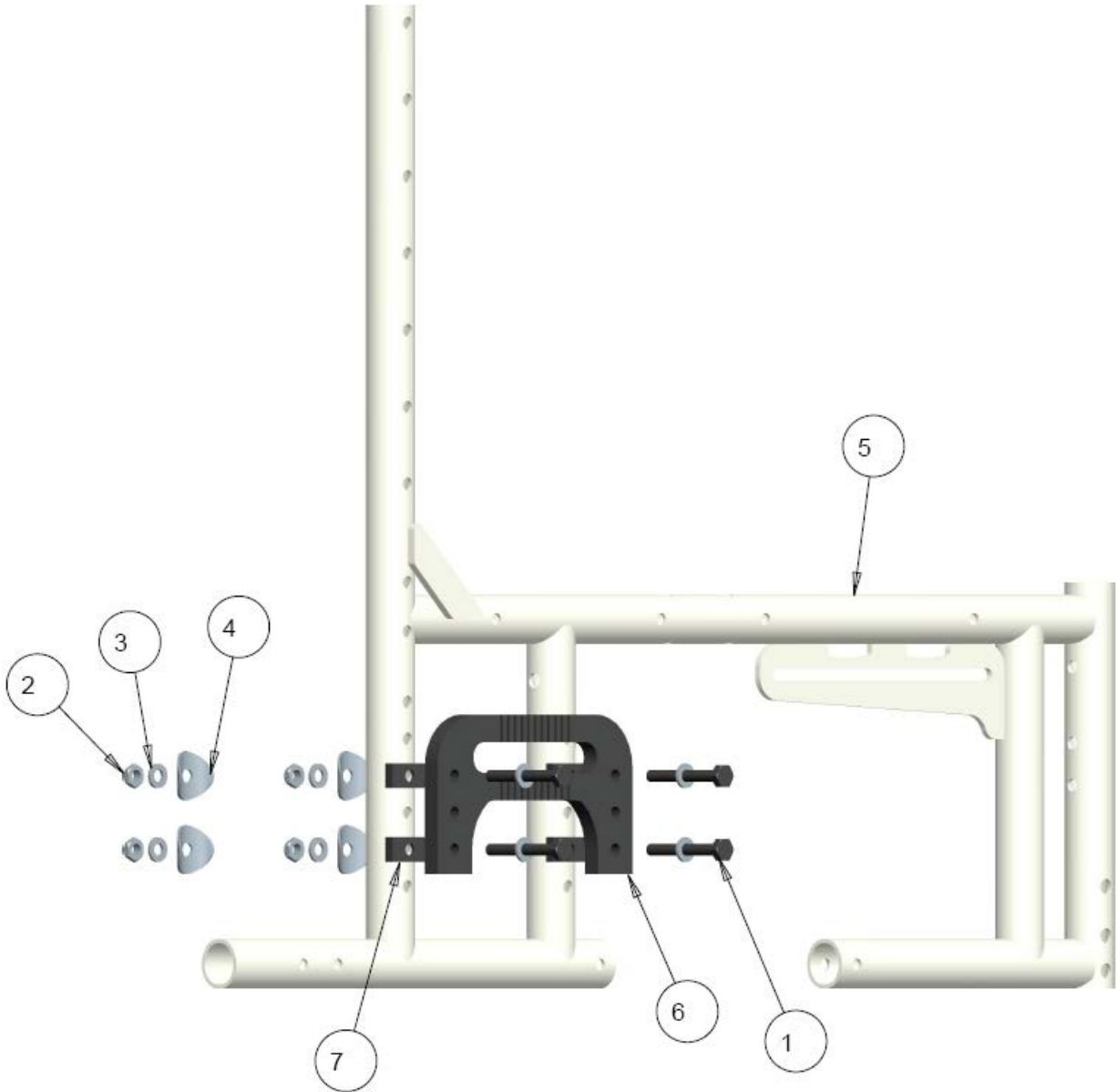
NORTHERN-LITE CASTER HOUSING AND FORKS – TABLE

ITEM	QTY	NOTES	PART NO.	DESCRIPTION	PRICE/ PER UNIT
1	2		1000008	WASHER_FLAT_11/16_OD_11/32_ID_11/16_THK_BLK	\$1.50
2	1		1000144	STEM, CASTER JOURNAL	\$43.00
3	1		1000396	NUT, HEX-NYLOCK THIN, 5/16-18NC	\$2.00
4	1		1000422	BOLT, HEX HEAD, 5/16-18NC X 2 1/2	\$3.00
5	2		1000976	NUT. HEX-NYLOCK THIN, 1/2-20NF	\$2.50
6	2		1003831	SPACER, COVERED 0.312x1.0 DIA. HALF	\$3.00
7	1		1005363	CASTER MOUNT CAP, PLASTIC	\$8.00
8	1		1006083	CASTER HOUSING ANGLE LOCK PLATE	\$5.00
9	3		1006325	WASHER_FLAT_5/16_OD_9/16_THK_.031	\$1.50
10	1		1004117	CASTER WHEEL ASS'Y 4" URETHANE 1.00" WIDE	\$54.00
	1		1013178	CASTER WHEEL ASS'Y 6" URETHANE 1.25" WIDE	\$79.00
	1		1004120	CASTER WHEEL ASS'Y 8" URETHANE 1.25" WIDE	\$84.00
11	2		1013407	BEARING ID 0.5" X 1.125 OD X .312	\$10.00
12	2		1013692	SCREW, SOCKET HEAD CAP, 5/16-18NC X 1.5	\$3.00
13	1		1021330	WASHER FLAT ID.512 OD.755 THK.030	\$1.50
14	1		1024997	ADJUSTABLE CASTE HOUSING, LT	\$52.00
15	1		1025000	CASTER INSERT PLUG	\$14.00
16	1		1025105	NARROW FORK SHORT - WITH RIBS	\$58.00
	1		1025110	NARROW FORK MEDIUM - WITH RIBS	\$52.00
	1		1025015	NARROW FORK LONG - WITH RIBS	\$56.00
17	1		REF	SIDE FRAME WELDMENT, RT	REF
		B14350-14372			

NOTES:

REAR WHEELS AND MOUNTS

NORTHERN-LITE AXLE PLATE HARDWARE ASS'Y

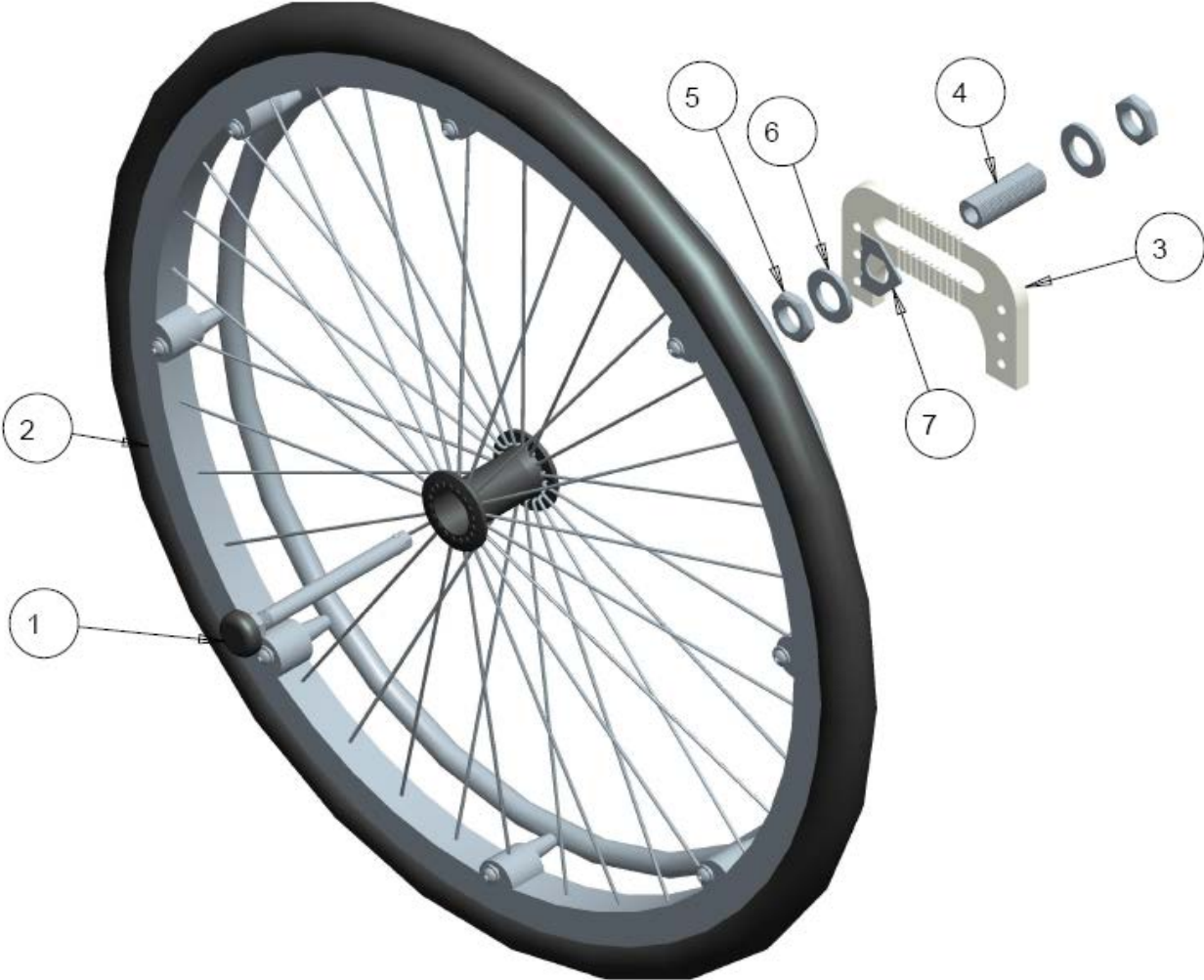


NORTHERN-LITE AXLE PLATE HARDWARE – TABLE

ITEM	QTY	NOTES	PART NO.	DESCRIPTION	PRICE/ PER UNIT
1	4		1000372	BOLT, HEX HEAD, 1/4-20NC X 2	\$4.00
2	4		1000397	NUT, HEX-NYLOCK THIN, 1/4-20NC	\$2.00
3	8		1000401	WASHER FLAT 1/4", ID .257, OD 0.50, THK 0.062	\$1.50
4	4		1018955	CURVED WASHER, X.25" ID, X1.00" TUBE	\$1.50
5	1		REF	SIDE FRAME WELDMENT, RT	REF
6	1		1026380	AXLE PLATE	\$98.00
7	4		1026385	AXLE PLAE SP CER	\$11.00
		B14385- 14393			

NOTES:

NORTHERN-LITE REAR-WHEEL MOUNTING ASSY



NORTHERN-LITE REAR WHEEL MOUNTING – TABLE

ITEM	QTY	NOTES	PART NO.	DESCRIPTION	PRICE/ PER UNIT
1	1		1008937	MUSHROOM QUICK RELEASE AXEL	\$95.00
2	1		1021956	24" WHEEL SPOKE COMPLETE SOLID TIRE SS HANDRIM	\$405.00
	1		1021960	22" WHEEL SPOKE COMPLETE SOLID TIRE SS HANDRIM	\$405.00
	1		1021964	20" WHEEL SPOKE COMPLETE SOLID TIRE SS HANDRIM	\$405.00
3	1		REF	AXLE PLATE	REF
4	1		1026381	AXLE BOLT	\$19.00
5	2		1026382	HEX NUT 3/4-16	\$2.50
6	2		1026383	WASHER FLAT, 1.31 OD .75 ID	\$1.50
7	1		1026384	AXLE PLATE LOCK PLATE	\$9.00
		B14420-14430			

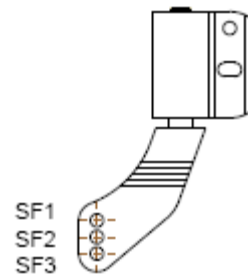
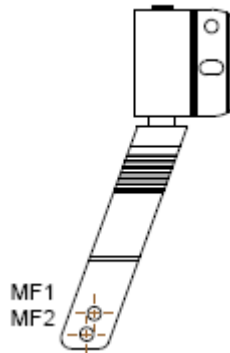
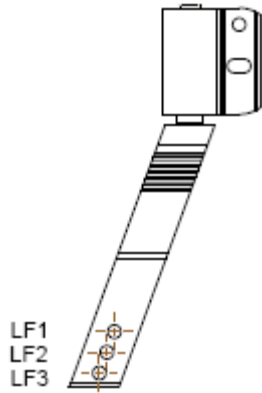
NOTES:

NOTE: PLEASE SEE PARTS LIBRARY – [REAR WHEELS](#) FOR BREAKDOWN OF PARTS FOR [REAR WHEEL](#)

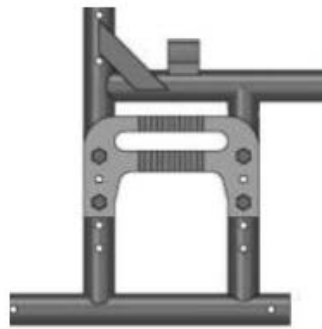
NORTHERN LITE STF CHART

NORTHERN-LITE FRONT STF HEIGHT AVAILABILITY						
Fork Position & Caster Wheel Size & Fork Size						
Front STF	4"		6"		8"	
	POSITION	FORK SIZE	POSITION	FORK SIZE	POSITION	FORK SIZE
13.75" STF	SF1	SHORT				
14.25" STF	SF2	SHORT				
14.75" STF	SF3	SHORT	SF1	SHORT		
15.25" STF			SF2	SHORT		
15.75" STF	MF1	MEDIUM	SF3	SHORT	SF1	SHORT
16.25" STF	MF2	MEDIUM			SF2	SHORT
16.75" STF	LF1	LONG	MF1	MEDIUM	SF3	SHORT
17.25" STF	LF2	LONG	MF2	MEDIUM		
17.75" STF	LF3	LONG	LF1	LONG	MF1	MEDIUM
18.25" STF			LF2	LONG	MF2	MEDIUM
18.75" STF			LF3	LONG	LF1	LONG
19.25" STF					LF2	LONG
19.75" STF					LF3	LONG

NORTHERN-LITE REAR STF HEIGHT AVAILABILITY			
Wheel Size and Axle Position			
Rear STF	20"	22"	24"
	AXLE POSITION	AXLE POSITION	AXLE POSITION
13.25" STF	POSITION 1		
14.00" STF	POSITION 2		
15.00" STF		POSITION 2	
15.50" STF	POSITION 4		
16.00" STF			POSITION 2
16.50" STF		POSITION 4	
17.00" STF	POSITION 5 (REVERSED)		
17.50" STF			POSITION 4
18.00" STF		POSITION 5 (REVERSED)	
18.75" STF		POSITION 6 (REVERSED)	
19.00" STF			POSITION 5 (REVERSED)
19.75" STF			POSITION 6 (REVERSED)



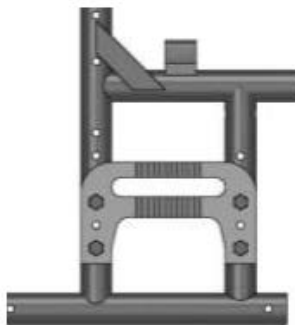
POSITION 1



POSITION 2



POSITION 3



POSITION 4



**POSITION 5
MOUNT PLATE
REVERSED**



**POSITION 6
MOUNT PLATE
REVERSED**

ANTI-TIPS

NORTHERN-LITE ANTI TIPPER HARDWARE ASS'Y



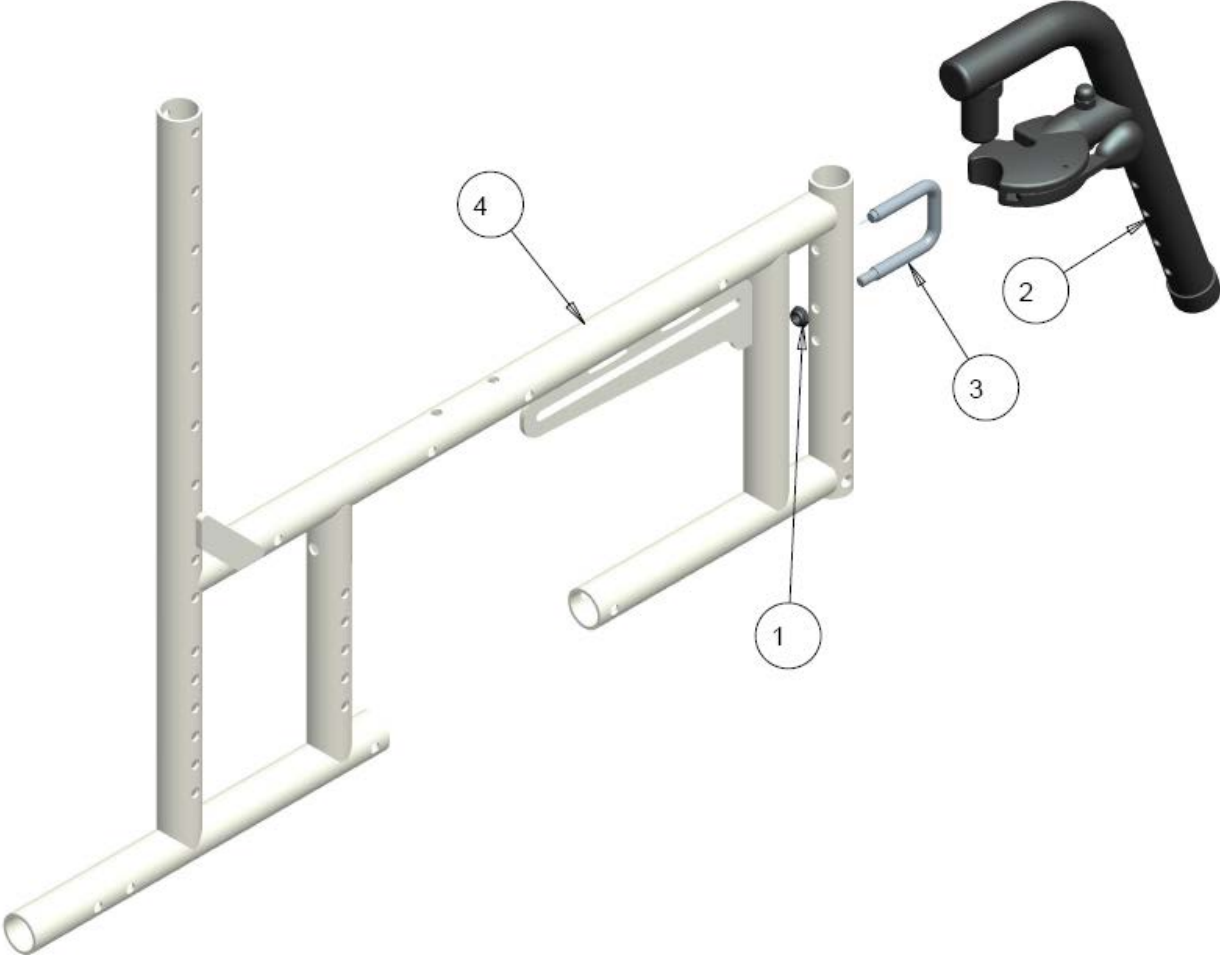
NORTHERN-LITE ANTI-TIPPER HARDWARE – TABLE

ITEM	QTY	NOTES	PART NO.	DESCRIPTION	PRICE/ PER UNIT
1	1		1000194	NUT, HEX-NYLOCK, #10-32NF, BLK	\$2.50
2	2		1000408	ANTI-TIP WHEEL	\$4.17
3	1		1001316	SCREW, SOCKET HEAD BUTTON #10/32X 1.75	\$3.00
4	1		REF	SIDE FRAME WELDMENT, RT	REF
5	1		1026388	TUBE ANTI TIP	\$30.00
6	1		1026389	TUBE ANTI TIP SLIDE	\$18.00
7	1		1026390	BUTTON SPRING, SINGLE	\$3.00
8	1		1026391	BUTTON SPRING, DOUBLE	\$3.50
		B14455-14464			

NOTES:

SWINGAWAY LEGREST

NORTHERN-LITE UPGRADED U-BOLT SWINGAWAY LEGREST



NORTHERN-LITE UPGRADED U-BOLT SWINGAWAY LEGREST – TABLE

1	1		1000397	NUT, HEX-NYLOCK THIN, 1/4-20NC	\$2.00
2	1		1001179	KIT 60 DEG UPGRADED SWINGAWAY ASS'Y RT	\$132.00
	1		1001180	KIT 60 DEG UPGRADED SWINGAWAY ASS'Y LT	\$132.00
	1		1000754	KIT 70 DEG UPGRADED SWINGAWAY ASS'Y RT	\$132.00
	1		1000780	KIT 70 DEG UPGRADED SWINGAWAY ASS'Y LT	\$132.00
	1		1004064	KIT 90 DEG UPGRADED SWINGAWAY ASS'Y RT	\$135.00
	1		1004065	KIT 90 DEG UPGRADED SWINGAWAY ASS'Y LT	\$135.00
3	1		1000757	LATCH U-BOLT	\$20.00
4	1		REF	SIDE FRAME WELDMENT, RT	REF
		B14490-14500			

NOTES:

NOTE: PLEASE SEE PARTS LIBRARY – [SWINGAWAY LEGREST](#) FOR BREAKDOWN OF PARTS FOR [UPGRADED SWINGAWAY](#)

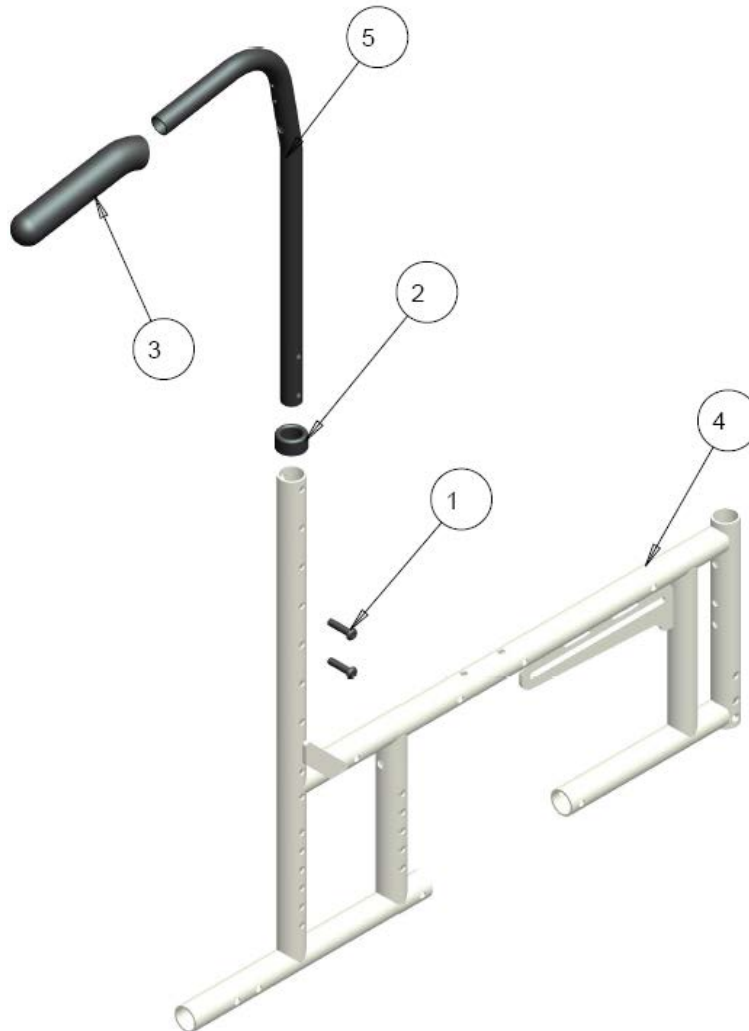
FOOTREST STEM AND PLATE

NORTHERN-LITE FOOTREST STEM AND PLATE

NOTE: PLEASE SEE PARTS LIBRARY – [SWINGAWAY LEGREST](#) FOR PARTS ON FOOTREST STEM AND PLATE

BACK CANES

NORTHERN-LITE FIXED CANE MOUNTING ASS'Y



NORTHERN-LITE FIXED CANE MOUNTING – TABLE

ITEM	QTY	NOTES	PART NO.	DESCRIPTION	PRICE/ PER UNIT
1	2		1001381	SOC HD SCREW 1/4-20 X 1.00	\$3.00
2	1		1001869	GLIDE BUSHING	\$5.00
3	1		1006117	FOAM GRIP, 1X 5.25 LG .08 THK	\$5.00
4	1		REF	SIDE FRAME WELDMENT, RT	REF
5	1		1026412	3/4" BACKCANE PRESSED	\$65.00
		B14525- 14531			

NOTES:

WHEEL LOCKS

NORTHERN-LITE SLIDE-ON WHEEL LOCKS MOUNTING



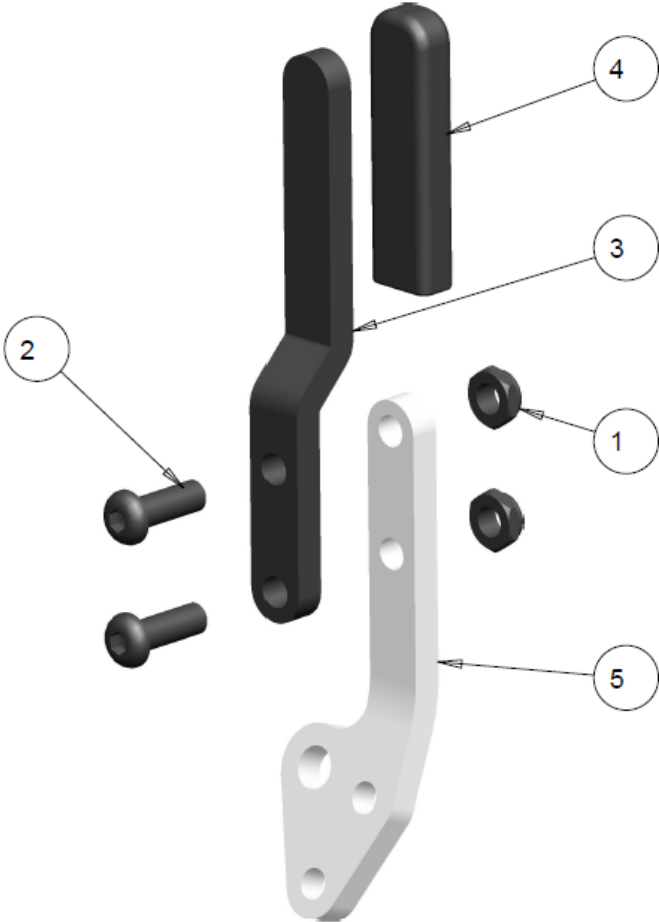
NORTHERN-LITE SLIDE-ON WHEEL LOCKS MOUNTING – TABLE

ITEM	QTY	NOTES	PART NO.	DESCRIPTION	PRICE/ PER UNIT
1	1		1026795	EXTENDED SLIDE-ON PUSH TO LOCK, RT	\$112.00
	1		1026796	EXTENDED SLIDE-ON PUSH TO LOCK, LT	\$112.00
	1		1026797	EXTENDED SLIDE-ON PULL TO LOCK, RT	\$112.00
	1		1026798	EXTENDED SLIDE-ON PULL TO LOCK, LT	\$112.00
2	1		REF	SIDE FRAME WELDMENT, RT	REF
		B14560-14566			

NOTES:

NOTE: PLEASE SEE PARTS LIBRARY – [WHEEL LOCKS](#) FOR BREAKDOWN OF PARTS FOR [EXTENDED SLIDE-ON WHEEL LOCK](#)

LIGHT WHEEL LOCK HANDLE EXTENSION



LIGHT WHEEL LOCK HANDLE EXTENSION – TABLE

ITEM	QTY	NOTES	PART NO.	DESCRIPTION	PRICE/ PER UNIT
1	2		1000397	NUT, HEX-NYLOCK THIN, 1/4-20NC	\$2.00
2	2		1001391	SCREW, SOCKET HEAD BUTTON, 1/4-20NC X 3/4	\$3.00
3	1		1021883	LIGHT EXTENSION HANDLE LINK	\$21.00
4	1		1021884	RECTANGULAR ROUND END CAP	\$3.50
5	1		REF	LIGHT WHEEL LOCK HANDLE	REF
	1		1024950	KIT, COMPLETE BRAKE EXTENSION HANDLE (ITEMS 1-4)	\$29.00
	1		1024958	KIT, COMPLETE PAIR BRAKE EXTENSION HANDLES	\$48.00
		B14595-14604			

NOTES: