



CANADA | **USA**

6750 Professional Court, Mississauga,
Ontario, L4V 1X6



11126 Greenstone Ave, Santa Fe Springs
CA 90670

1-888-737-4011



1-888-342-3119

www.futuremobility.ca



www.futuremobility.com

PARTS MANUAL



P R I S M
by FUTURE MOBILITY

BASIC



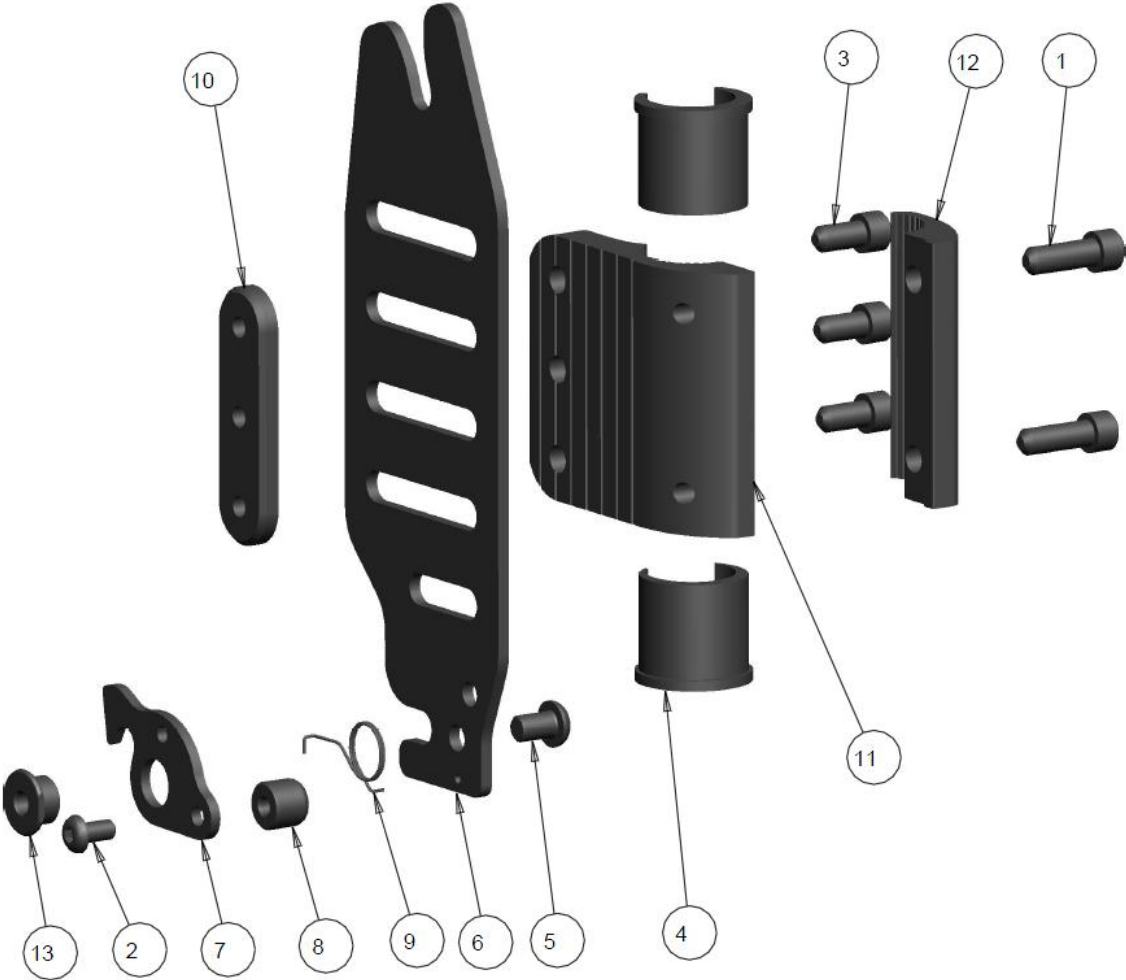
by FUTURE MOBILITY

* Part prices and configurations included in this Parts Manual are subject to change without prior notice.
* All prices are shown as per unit individual price.

Contents

PRISM MOUNTING BRACKETS	5
STANDARD MOUNTING BRACKET RT	5
STANDARD MOUNTING BRACKET LT	7
PRISM BACK MOUNTING PINS	9
PRISM MOUNTING ACCESSORIES	11
SIDE SHOULDER LATERAL PADS	11
PRISM AIRBACK.....	13
AIRBACK HARDWARE	13

PRISM MOUNTING BRACKETS
STANDARD MOUNTING BRACKET RT

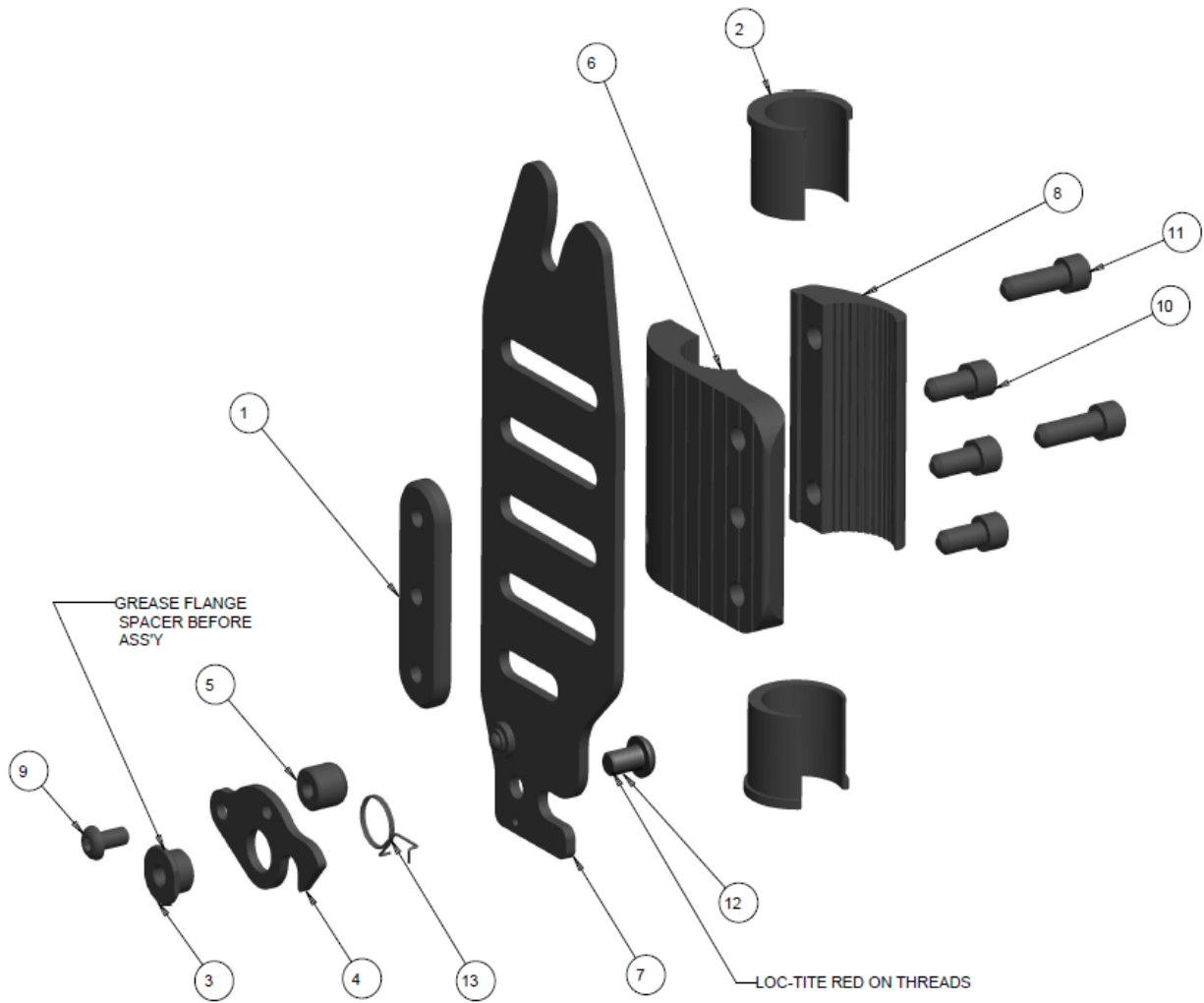


STANDARD MOUNTING BRACKET RT - TABLE

ITEM	QTY	NOTES	PART NO.	DESCRIPTION	PRICE/ UNIT
1	2		1000025	SCREW, SOC HD CAP, 1/4-20 X 0.75	\$3.00
2	1		1000226	SCREW SOC BUTTON HEAD #10-32 X 0.375	\$3.00
3	3		1000403	SCREW, SOC HD CAP, 1/4-20 X 0.5	\$3.00
4	2		1002377	CLAMP INSERT 1" STEPDOWN 7/8"	\$2.50
5	1		1004069	SCREW,SOC BUTTON HEAD 1/4-20 X 0.375	\$3.00
6	1		1004830	MOUNTING PLATE, BACKSHELL	\$33.00
7	1		1004832	LATCH BACK SHELL	\$7.00
8	1		1004837	MACHINED KNOB	\$8.00
9	1		1004839	TORSION SPRING-RT	\$2.50
10	1		1004840	BACKING PLATE	\$12.00
11	1		1004841	MAIN CLAMP- MACHINED	\$44.00
12	1		1004842	OUTER CLAMP-MACHINED	\$44.00
13	1		1005795	FLANGE SPACER	\$10.00
	1		1021422	KIT, BACK MOUNTING HARDWARE RT (ITEMS 1-13)	\$158.00

NOTES:

STANDARD MOUNTING BRACKET LT

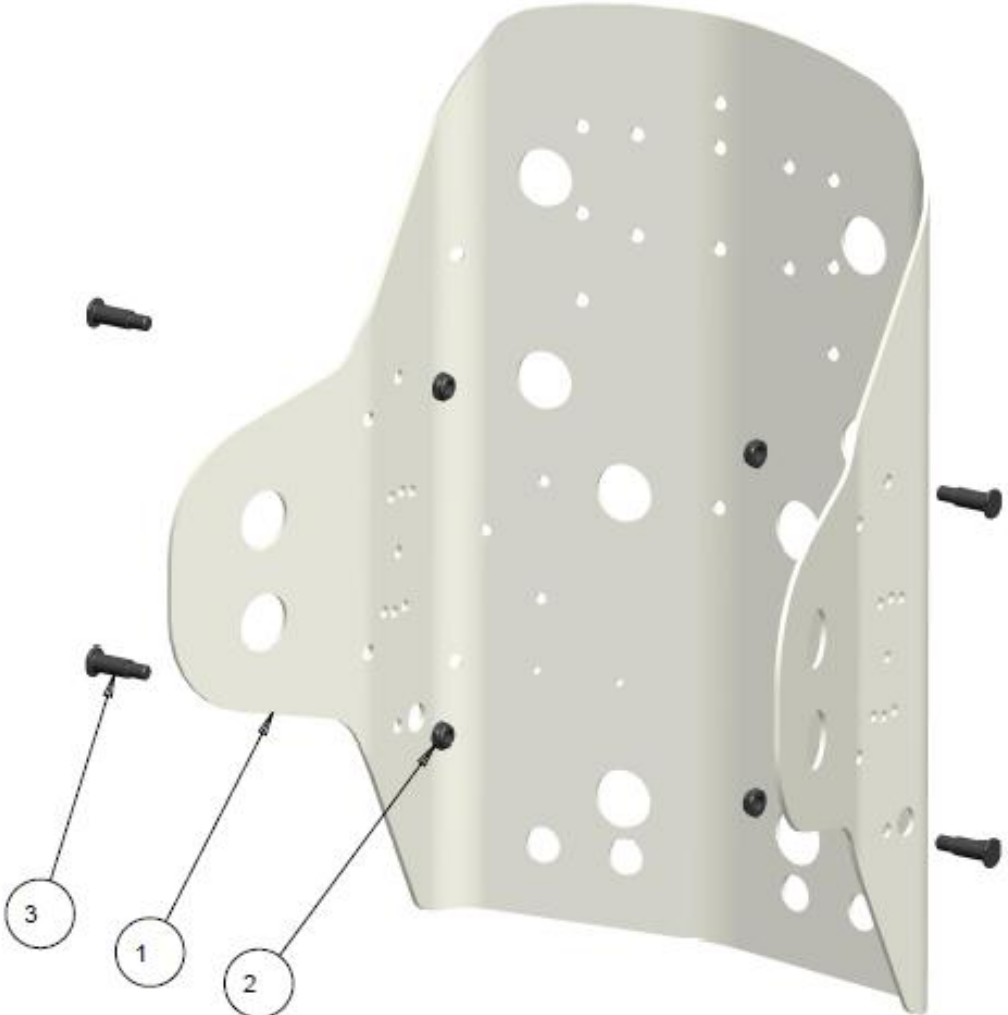


STANDARD MOUNTING BRACKET LT - TABLE

ITEM	QTY	NOTES	PART NO.	DESCRIPTION	PRICE/ UNIT
1	1		1004840	BACKING PLATE	\$12.00
2	2		1002377	CLAMP INSERT 1" STEPDOWN 7/8"	\$2.50
3	1		1005795	FLANGE SPACER	\$10.00
4	1		1004832	LATCH BACK SHELL	\$7.00
5	1		1004837	MACHINED KNOB	\$8.00
6	1		1004841	MAIN CLAMP- MACHINED	\$44.00
7	1		1005798	MOUNTING PLATE ASSY LEFT SIDE	\$45.00
8	1		1004842	OUTER CLAMP-MACHINED	\$44.00
9	1		1000226	SCREW SOC BUTTON HEAD #10-32 X 0.375	\$3.00
10	3		1000403	SCREW, SOC HD CAP, 1/4-20 X 0.5	\$3.00
11	2		1000025	SCREW, SOC HD CAP, 1/4-20 X 0.75	\$3.00
12	1		1004069	SCREW,SOC BUTTON HEAD 1/4-20 X 0.375	\$3.00
13	1		1004838	TORSION SPRING-LT	\$2.50
	1		1021423	KIT, BACK MOUNTING HARDWARE LT (ITEMS 1-13)	\$170.00

NOTES:

PRISM BACK MOUNTING PINS



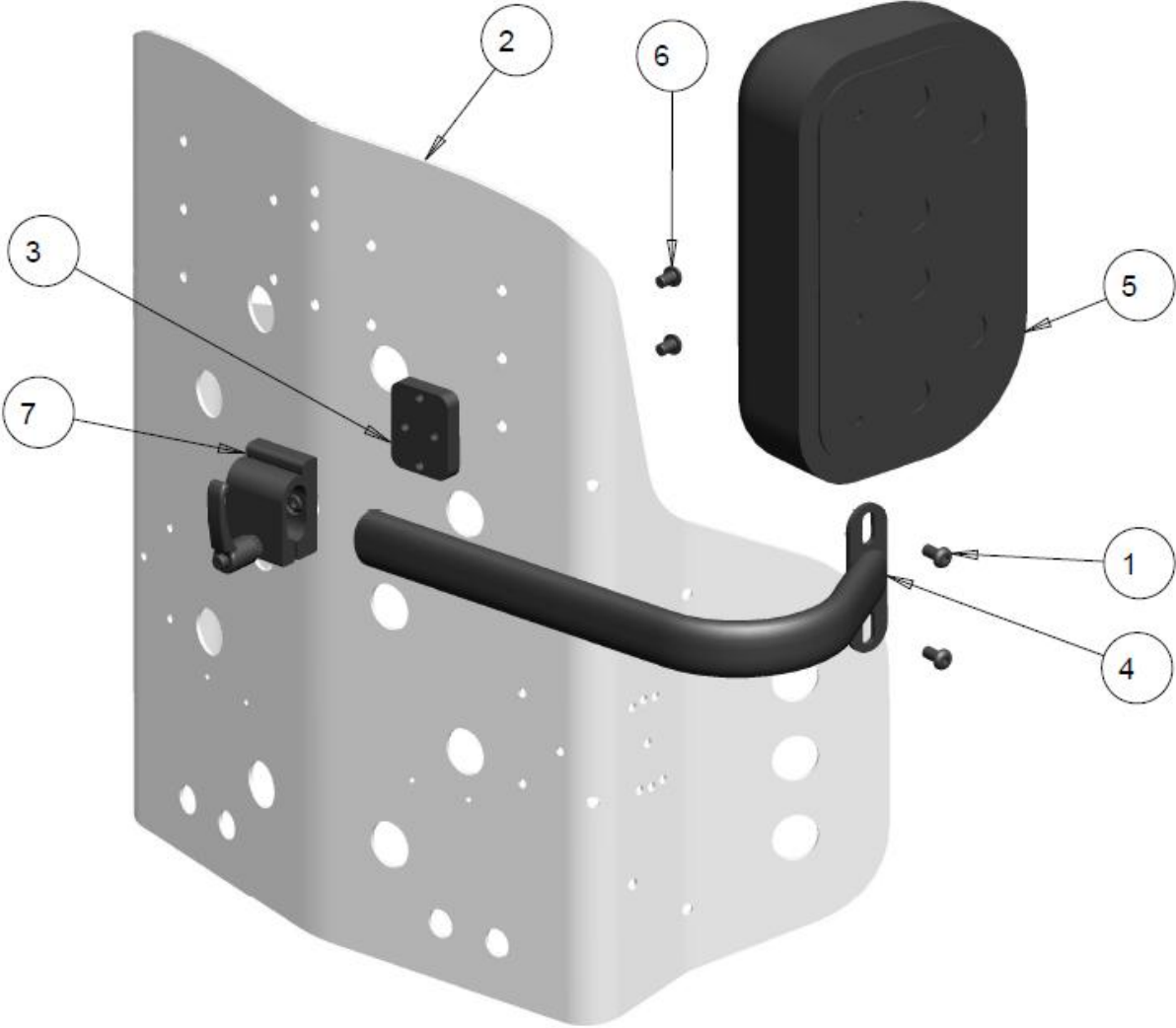
PRISM BACK MOUNTING PINS - TABLE

ITEM	QTY	NOTES	PART NO.	DESCRIPTION	PRICE/ UNIT
1	1		REF	BACK SHELL	
2	4		1001531	NUT, HEX-NYLOCK THIN, 1/4-28	\$2.00
3	4		REF	SHELL BRACKET PIN	
	4		1004858	SHELL BRACKET PIN REGULAR	\$20.00
	4		1006453	SHELL BRACKET PIN 1/2" LONGER	\$20.00
	4		1006454	SHELL BRACKET PIN 1" LONGER	\$20.00
	1	A	1021501	KIT, REGULAR BRACKET PIN SET (4 PINS)	\$75.00
	1	B	1021502	KIT, 1/2" LONGER BRACKET PIN SET (4 PINS)	\$75.00
	1	C	1021503	KIT, 1" LONGER BRACKET PIN SET (4 PINS)	\$75.00

NOTES: A PINS TO BE USED FOR MOUNTING BACK REGULAR . (EXAMPLE 18" BACK ON 18" CHAIR)
 B PINS TO BE USED FOR MOUNTING BACK ON 1" WIDER. (EXAMPLE 18" BACK ON 19" CHAIR)
 C PINS TO BE USED FOR MOUNTING BACK ON 2" WIDER. (EXAMPLE 18" BACK ON 20" CHAIR)

PRISM MOUNTING ACCESSORIES

SIDE SHOULDER LATERAL PADS



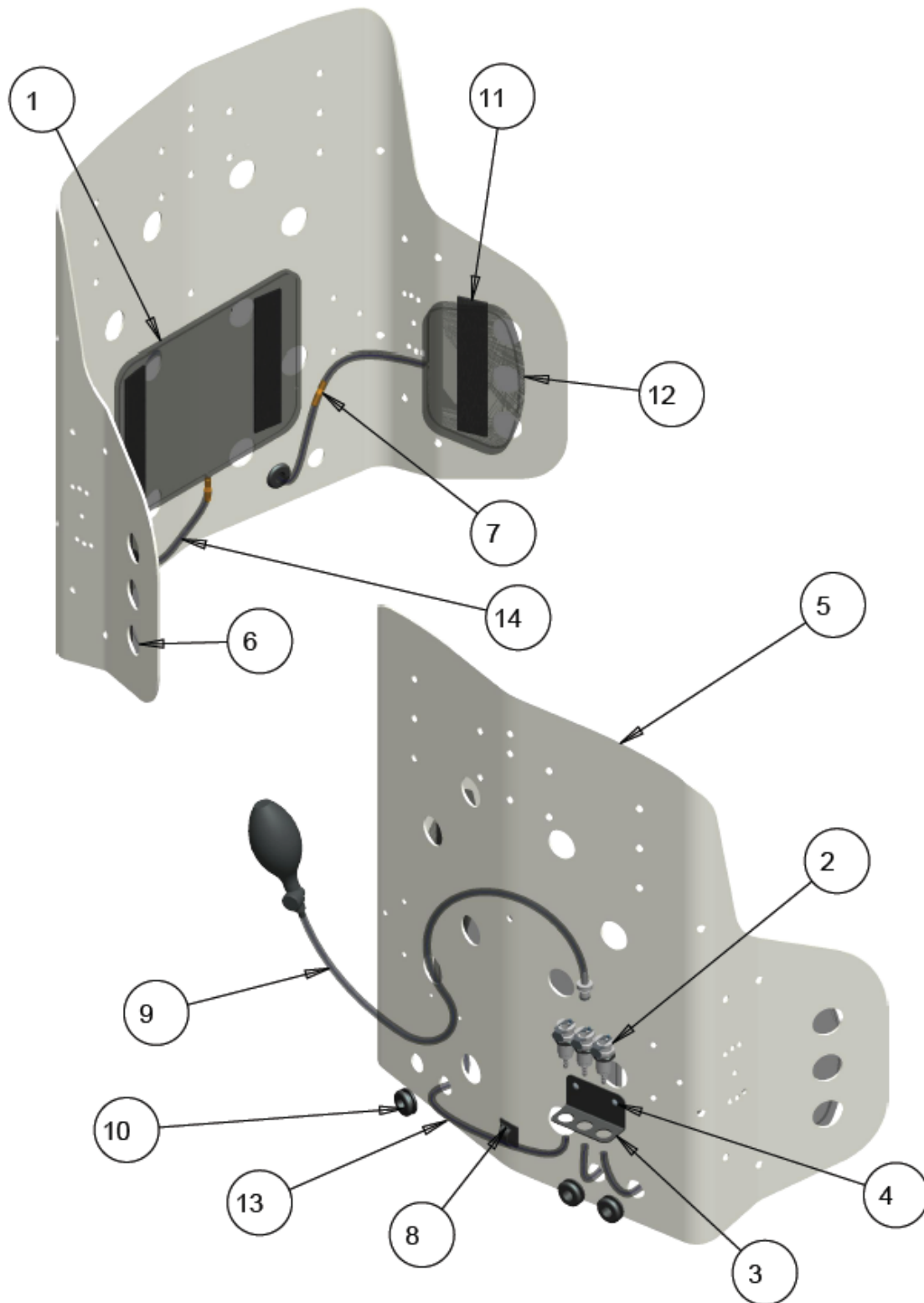
SIDE SHOULDER LATERAL PADS - TABLE

ITEM	NOTES	QTY	PART NO.	DESCRIPTION	PRICE/ UNIT
1		2	1000411	SCREW,SOC BUTTON HEAD 1/4-20 X 0.500	\$3.00
2		1	REF	PRISM BACK SHELL	
3		1	1003074	RISER BLOCK, SIDE LATERAL MOUNT	\$19.00
4		1	1003076	SHOULDER LATERAL SUPPORT WELDMENT	\$33.00
		1	1003924	SHOULDER LATERAL SUPPORT WELDMENT + 4"	\$38.00
5		1	1003080	SHOULDER LATERAL SUPPORT, FOAM PAD ASS'Y	\$28.00
6		2	1004069	SCREW,SOC BUTTON HEAD 1/4-20 X 0.375	\$3.00
7		1	1019473	HINGED OVAL HEADREST CLAMP ASS'Y	\$39.00
	A	1	1021546	KIT, COMPLETE SHOULDER LATERAL SUPPORT	\$131.00
	A	1	1021547	KIT, COMPLETE SHOULDER LATERAL SUPPORT + 4"	\$136.00

NOTES: A KIT IS FOR ONE SIDE ONLY AND INCLUDES SHOULDER PAD COVER.

PRISM AIRBACK

AIRBACK HARDWARE



AIRBACK HARDWARE - TABLE

ITEM	NOTES	QTY	PART NO.	DESCRIPTION	PRICE/ UNIT
1		1	1000258	LUMBAR BLADDER (6" X 8")	\$80.00
2	B	3	1000348	QUICK DISCONNECT FITTING	\$58.33
3		1	1000395	QUICK CONNECT FITTINGS MOUNT BRACKET	\$8.33
			1002387	QUICK CONN.FITTINGS MTG PLATE ONE HOLE	\$8.33
4		2	1000695	POP-RIVET 1/8 DIA STUB	\$3.00
5		1	REF	AIR BACK SHELL	-
6	C	1	1002689	LATERAL BLADDER RIGHT	\$45.00
7		2	1002690	TUBING EXTENSION INSERT (.25 OD TUBE)	\$3.00
8		1	1002691	TUBING GUIDE ADHESIVE BACKED	\$1.00
9		1	1002692	BULB ASS'Y WITH MALE CONNECTOR	\$75.00
10	B	3	1004025	GROMMET	\$3.00
11	B	4	1004026	HOOK&LOOP STRIP	\$3.00
12	C	1	1024265	LATERAL BLADDER LEFT	\$45.00
13	C	1	1024266	AIR BACK TUBING LATERAL	\$45.00
14		1	1024267	AIR BACK TUBING LUMBAR	\$0.75
	A	1	1024270	KIT, AIRBACK HDWR (ITEMS 1-4. 6-14)	\$300.00
		1	1024271	KIT, AIRBACK HDWR LUMBAR ONLY	\$155.00
	D	1	1024272	AIR BACK TUBING CUT TO LENGTH	\$.75 / FT

NOTES: A - KIT INCLUDES AIR TUBING LONG ENOUGH FOR ANY WIDTH BACK, TO BE CUT TO LENGTH BY CUSTOMER

B – ONLY ONE INCLUDED IN LUMBAR ONLY KIT

C – NOT INCLUDED IN LUMBAR ONLY KIT

D – SPECIFY LENGTH WHEN ORDERING