



**CANADA** | **USA**

6750 Professional Court, Mississauga,  
Ontario, L4V 1X6



11126 Greenstone Ave, Santa Fe Springs  
CA 90670

1-888-737-4011



1-888-342-3119

[www.futuremobility.ca](http://www.futuremobility.ca)



[www.futuremobility.com](http://www.futuremobility.com)

# PARTS MANUAL



**P R I S M**  
by FUTURE MOBILITY

# BASIC



by FUTURE MOBILITY

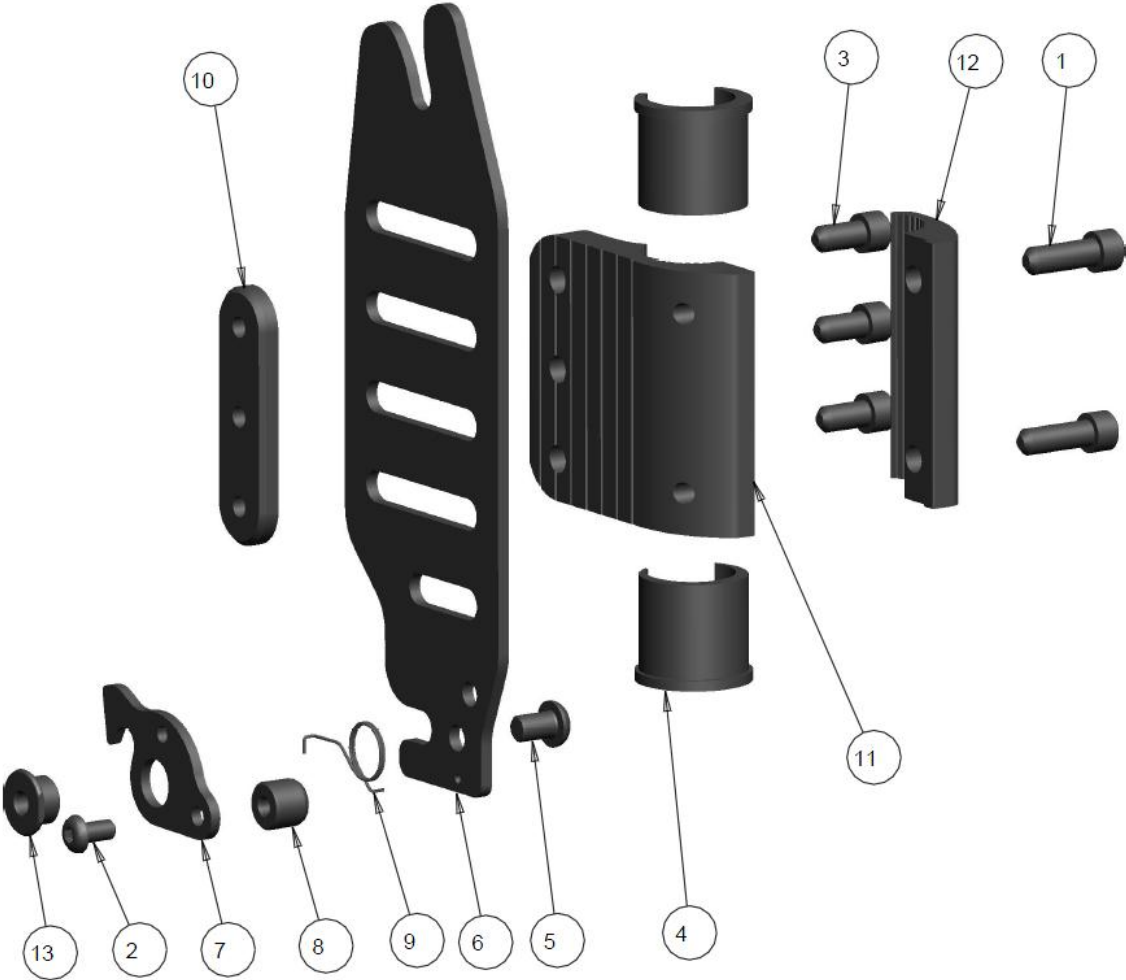
\* Part prices and configurations included in this Parts Manual are subject to change without prior notice.  
\* All prices are shown as per unit individual price.

## Contents

PRISM MOUNTING BRACKETS .....	5
<b>STANDARD MOUNTING BRACKET RT</b> .....	5
<b>STANDARD MOUNTING BRACKET LT</b> .....	7
<b>PRISM BACK MOUNTING PINS</b> .....	9
PRISM MOUNTING ACCESSORIES .....	11
<b>SIDE SHOULDER LATERAL PADS</b> .....	11
PRISM AIRBACK.....	13
<b>AIRBACK HARDWARE</b> .....	13



**PRISM MOUNTING BRACKETS**  
**STANDARD MOUNTING BRACKET RT**

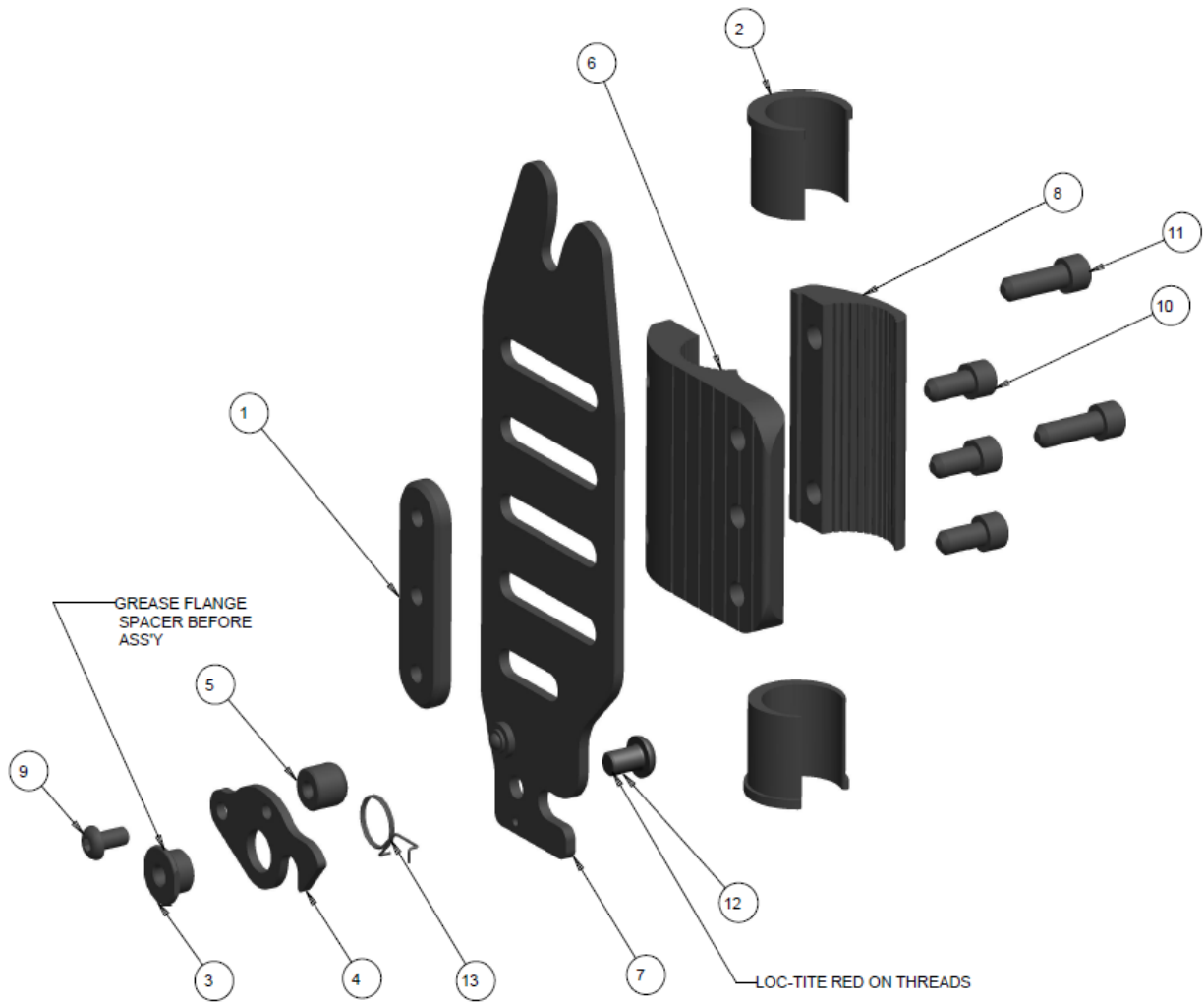


## STANDARD MOUNTING BRACKET RT - TABLE

ITEM	QTY	NOTES	PART NO.	DESCRIPTION	PRICE/ UNIT
1	2		1000025	SCREW, SOC HD CAP, 1/4-20 X 0.75	\$3.00
2	1		1000226	SCREW SOC BUTTON HEAD #10-32 X 0.375	\$3.00
3	3		1000403	SCREW, SOC HD CAP, 1/4-20 X 0.5	\$3.00
4	2		1002377	CLAMP INSERT 1" STEPDOWN 7/8"	\$2.50
5	1		1004069	SCREW,SOC BUTTON HEAD 1/4-20 X 0.375	\$3.00
6	1		1004830	MOUNTING PLATE, BACKSHELL	\$33.00
7	1		1004832	LATCH BACK SHELL	\$7.00
8	1		1004837	MACHINED KNOB	\$8.00
9	1		1004839	TORSION SPRING-RT	\$2.50
10	1		1004840	BACKING PLATE	\$12.00
11	1		1004841	MAIN CLAMP- MACHINED	\$44.00
12	1		1004842	OUTER CLAMP-MACHINED	\$44.00
13	1		1005795	FLANGE SPACER	\$10.00
	<b>1</b>		<b>1021422</b>	<b>KIT, BACK MOUNTING HARDWARE RT (ITEMS 1-13)</b>	<b>\$158.00</b>

NOTES:

# STANDARD MOUNTING BRACKET LT

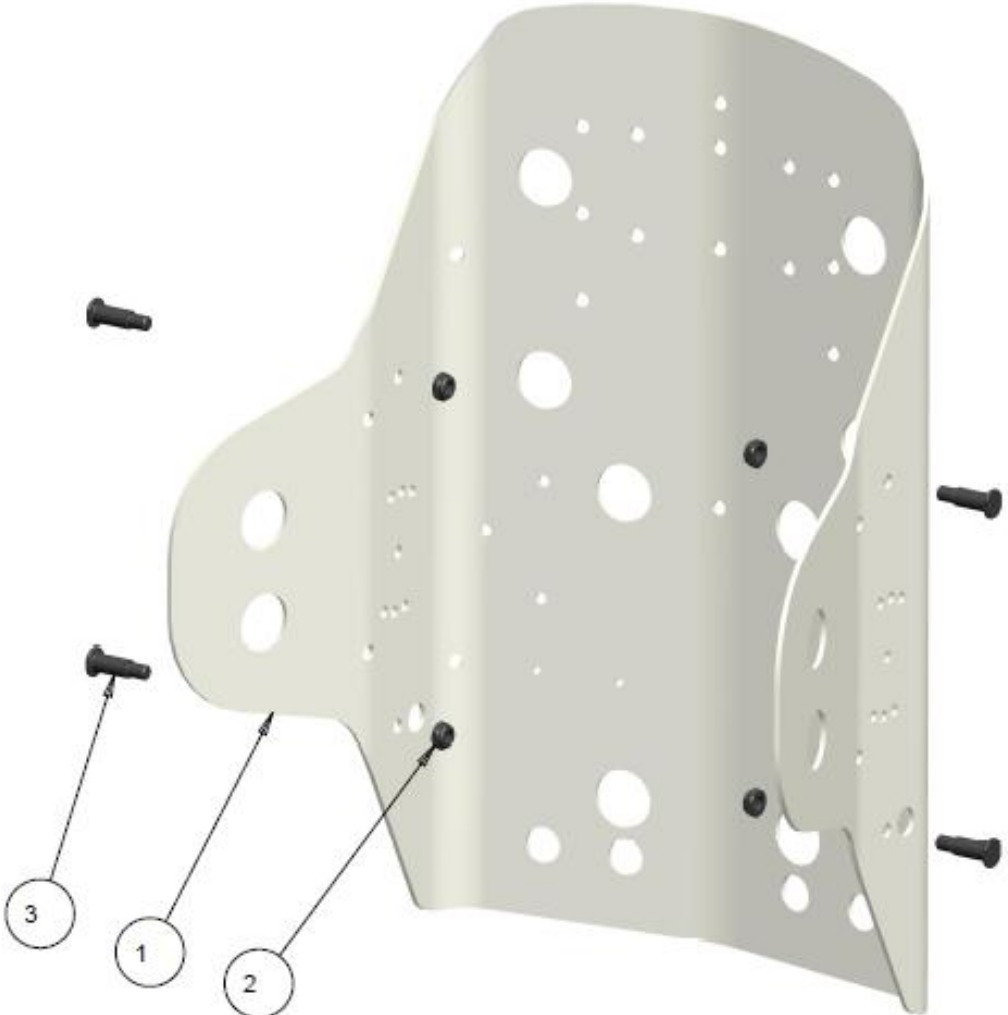


## STANDARD MOUNTING BRACKET LT - TABLE

ITEM	QTY	NOTES	PART NO.	DESCRIPTION	PRICE/ UNIT
1	1		1004840	BACKING PLATE	\$12.00
2	2		1002377	CLAMP INSERT 1" STEPDOWN 7/8"	\$2.50
3	1		1005795	FLANGE SPACER	\$10.00
4	1		1004832	LATCH BACK SHELL	\$7.00
5	1		1004837	MACHINED KNOB	\$8.00
6	1		1004841	MAIN CLAMP- MACHINED	\$44.00
7	1		1005798	MOUNTING PLATE ASSY LEFT SIDE	\$45.00
8	1		1004842	OUTER CLAMP-MACHINED	\$44.00
9	1		1000226	SCREW SOC BUTTON HEAD #10-32 X 0.375	\$3.00
10	3		1000403	SCREW, SOC HD CAP, 1/4-20 X 0.5	\$3.00
11	2		1000025	SCREW, SOC HD CAP, 1/4-20 X 0.75	\$3.00
12	1		1004069	SCREW,SOC BUTTON HEAD 1/4-20 X 0.375	\$3.00
13	1		1004838	TORSION SPRING-LT	\$2.50
	<b>1</b>		<b>1021423</b>	<b>KIT, BACK MOUNTING HARDWARE LT (ITEMS 1-13)</b>	<b>\$170.00</b>

NOTES:

# PRISM BACK MOUNTING PINS



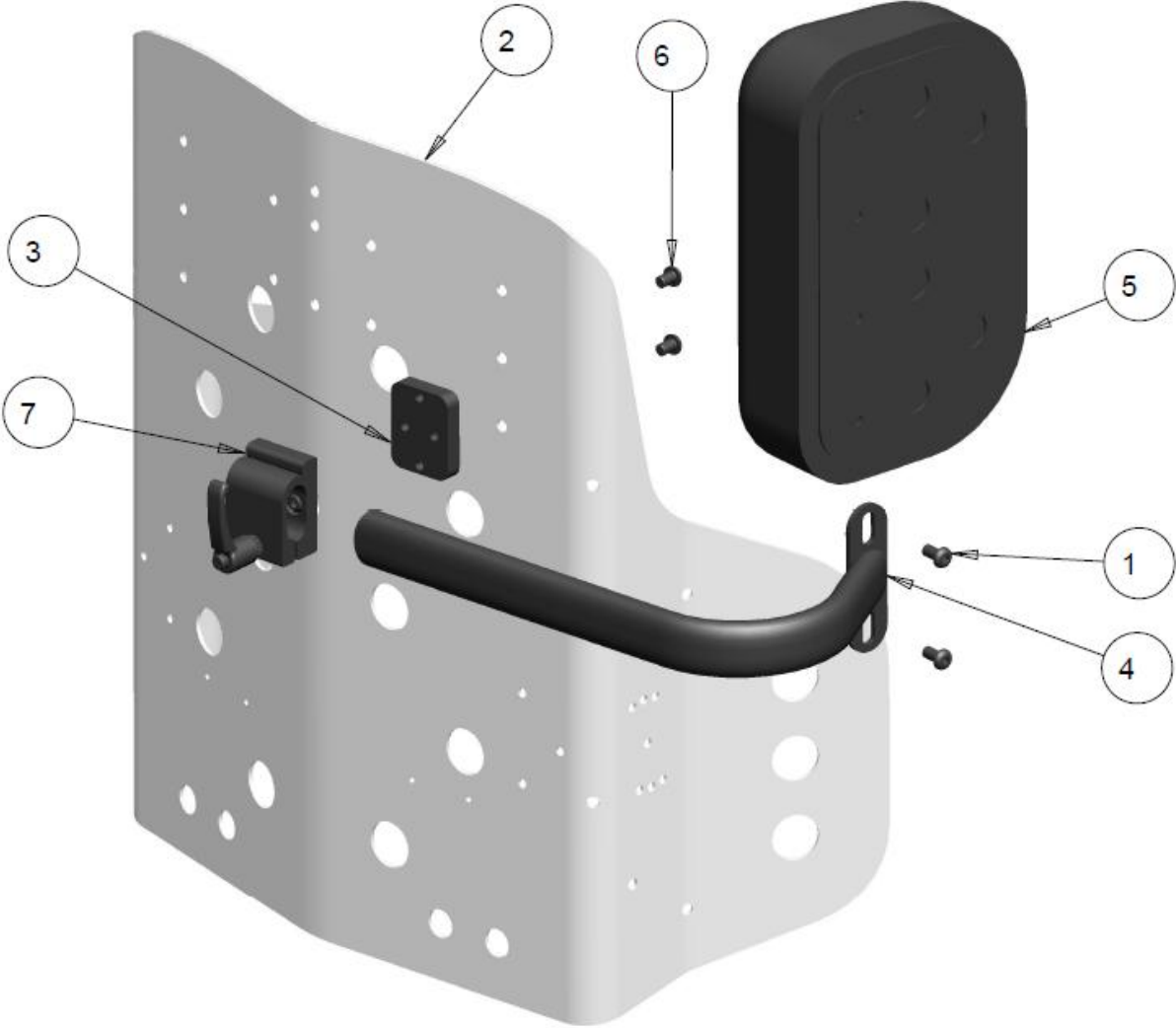


## PRISM BACK MOUNTING PINS - TABLE

ITEM	QTY	NOTES	PART NO.	DESCRIPTION	PRICE/ UNIT
1	1		REF	BACK SHELL	
2	4		1001531	NUT, HEX-NYLOCK THIN, 1/4-28	\$2.00
3	4		REF	SHELL BRACKET PIN	
	4		1004858	SHELL BRACKET PIN REGULAR	\$20.00
	4		1006453	SHELL BRACKET PIN 1/2" LONGER	\$20.00
	4		1006454	SHELL BRACKET PIN 1" LONGER	\$20.00
	1	A	<b>1021501</b>	<b>KIT, REGULAR BRACKET PIN SET (4 PINS)</b>	\$75.00
	1	B	<b>1021502</b>	<b>KIT, 1/2" LONGER BRACKET PIN SET (4 PINS)</b>	\$75.00
	1	C	<b>1021503</b>	<b>KIT, 1" LONGER BRACKET PIN SET (4 PINS)</b>	\$75.00

NOTES: A PINS TO BE USED FOR MOUNTING BACK REGULAR . ( EXAMPLE 18" BACK ON 18" CHAIR)  
 B PINS TO BE USED FOR MOUNTING BACK ON 1" WIDER. ( EXAMPLE 18" BACK ON 19" CHAIR)  
 C PINS TO BE USED FOR MOUNTING BACK ON 2" WIDER. ( EXAMPLE 18" BACK ON 20" CHAIR)

**PRISM MOUNTING ACCESSORIES**  
**SIDE SHOULDER LATERAL PADS**



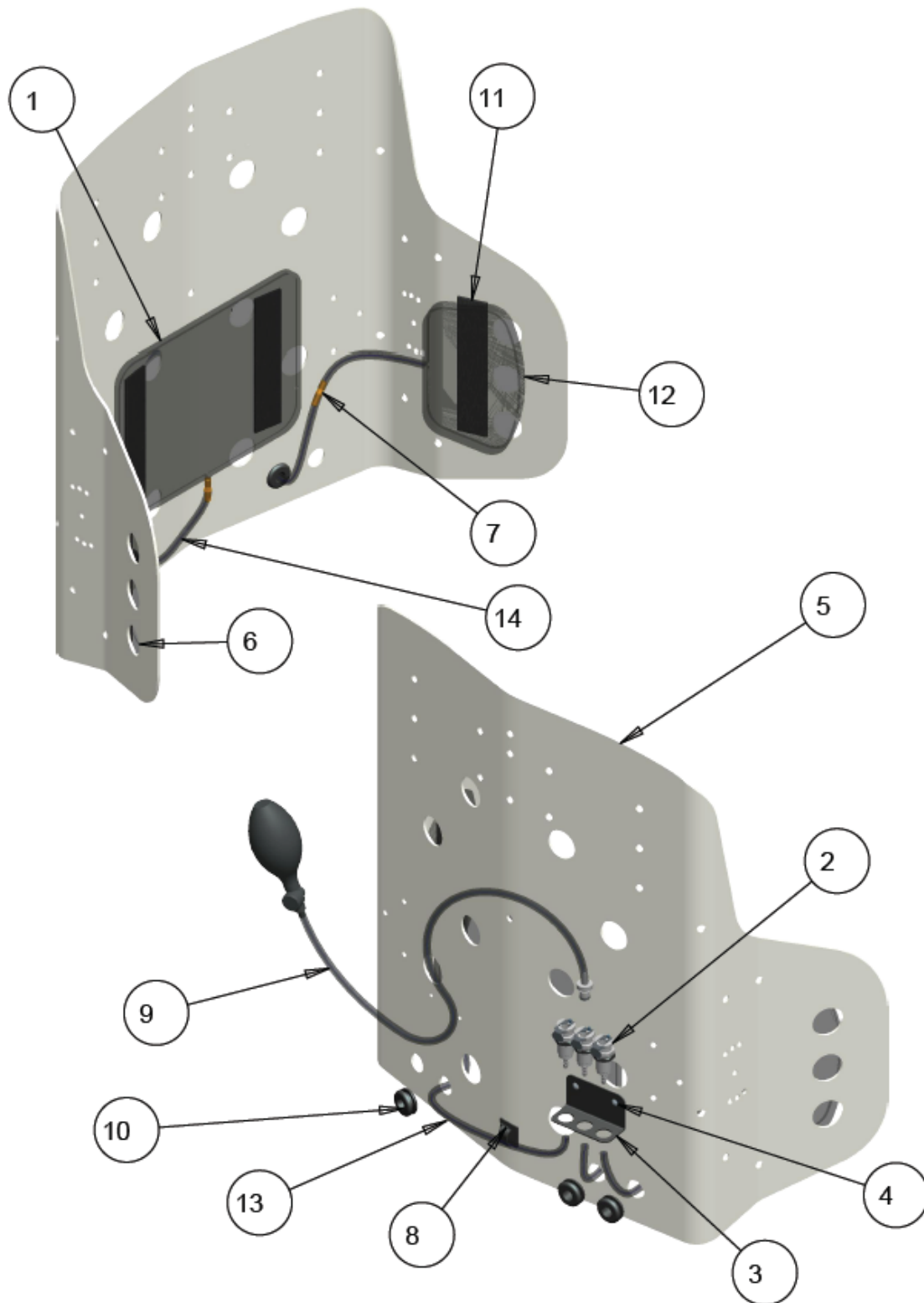
## SIDE SHOULDER LATERAL PADS - TABLE

ITEM	NOTES	QTY	PART NO.	DESCRIPTION	PRICE/ UNIT
1		2	1000411	SCREW,SOC BUTTON HEAD 1/4-20 X 0.500	\$3.00
2		1	REF	PRISM BACK SHELL	
3		1	1003074	RISER BLOCK, SIDE LATERAL MOUNT	\$19.00
4		1	1003076	SHOULDER LATERAL SUPPORT WELDMENT	\$33.00
		1	1003924	SHOULDER LATERAL SUPPORT WELDMENT + 4"	\$38.00
5		1	1003080	SHOULDER LATERAL SUPPORT, FOAM PAD ASS'Y	\$28.00
6		2	1004069	SCREW,SOC BUTTON HEAD 1/4-20 X 0.375	\$3.00
7		1	1019473	HINGED OVAL HEADREST CLAMP ASS'Y	\$39.00
	A	1	<b>1021546</b>	<b>KIT, COMPLETE SHOULDER LATERAL SUPPORT</b>	<b>\$131.00</b>
	A	1	<b>1021547</b>	<b>KIT, COMPLETE SHOULDER LATERAL SUPPORT + 4"</b>	<b>\$136.00</b>

NOTES: A KIT IS FOR ONE SIDE ONLY AND INCLUDES SHOULDER PAD COVER.

# PRISM AIRBACK

## AIRBACK HARDWARE



## AIRBACK HARDWARE - TABLE

ITEM	NOTES	QTY	PART NO.	DESCRIPTION	PRICE/ UNIT
1		1	1000258	LUMBAR BLADDER (6" X 8")	\$80.00
2	B	3	1000348	QUICK DISCONNECT FITTING	\$58.33
3		1	1000395	QUICK CONNECT FITTINGS MOUNT BRACKET	\$8.33
			1002387	QUICK CONN.FITTINGS MTG PLATE ONE HOLE	\$8.33
4		2	1000695	POP-RIVET 1/8 DIA STUB	\$3.00
5		1	REF	AIR BACK SHELL	-
6	C	1	1002689	LATERAL BLADDER RIGHT	\$45.00
7		2	1002690	TUBING EXTENSION INSERT (.25 OD TUBE)	\$3.00
8		1	1002691	TUBING GUIDE ADHESIVE BACKED	\$1.00
9		1	1002692	BULB ASS'Y WITH MALE CONNECTOR	\$75.00
10	B	3	1004025	GROMMET	\$3.00
11	B	4	1004026	HOOK&LOOP STRIP	\$3.00
12	C	1	1024265	LATERAL BLADDER LEFT	\$45.00
13	C	1	1024266	AIR BACK TUBING LATERAL	\$45.00
14		1	1024267	AIR BACK TUBING LUMBAR	\$0.75
	A	1	<b>1024270</b>	<b>KIT, AIRBACK HDWR (ITEMS 1-4. 6-14)</b>	<b>\$300.00</b>
		1	<b>1024271</b>	<b>KIT, AIRBACK HDWR LUMBAR ONLY</b>	<b>\$155.00</b>
	D	1	<b>1024272</b>	<b>AIR BACK TUBING CUT TO LENGTH</b>	<b>\$.75 / FT</b>

NOTES: A - KIT INCLUDES AIR TUBING LONG ENOUGH FOR ANY WIDTH BACK, TO BE CUT TO LENGTH BY CUSTOMER

B – ONLY ONE INCLUDED IN LUMBAR ONLY KIT

C – NOT INCLUDED IN LUMBAR ONLY KIT

D – SPECIFY LENGTH WHEN ORDERING