



**CANADA**

**USA**

6750 Professional Court, Mississauga,  
Ontario, L4V 1X6



11126 Greenstone Ave, Santa Fe Springs  
CA 90670

1-888-737-4011



1-888-342-3119

[www.futuremobility.ca](http://www.futuremobility.ca)



[www.futuremobility.com](http://www.futuremobility.com)

# PARTS MANUAL



**P R I S M**  
by FUTURE MOBILITY

# ORION

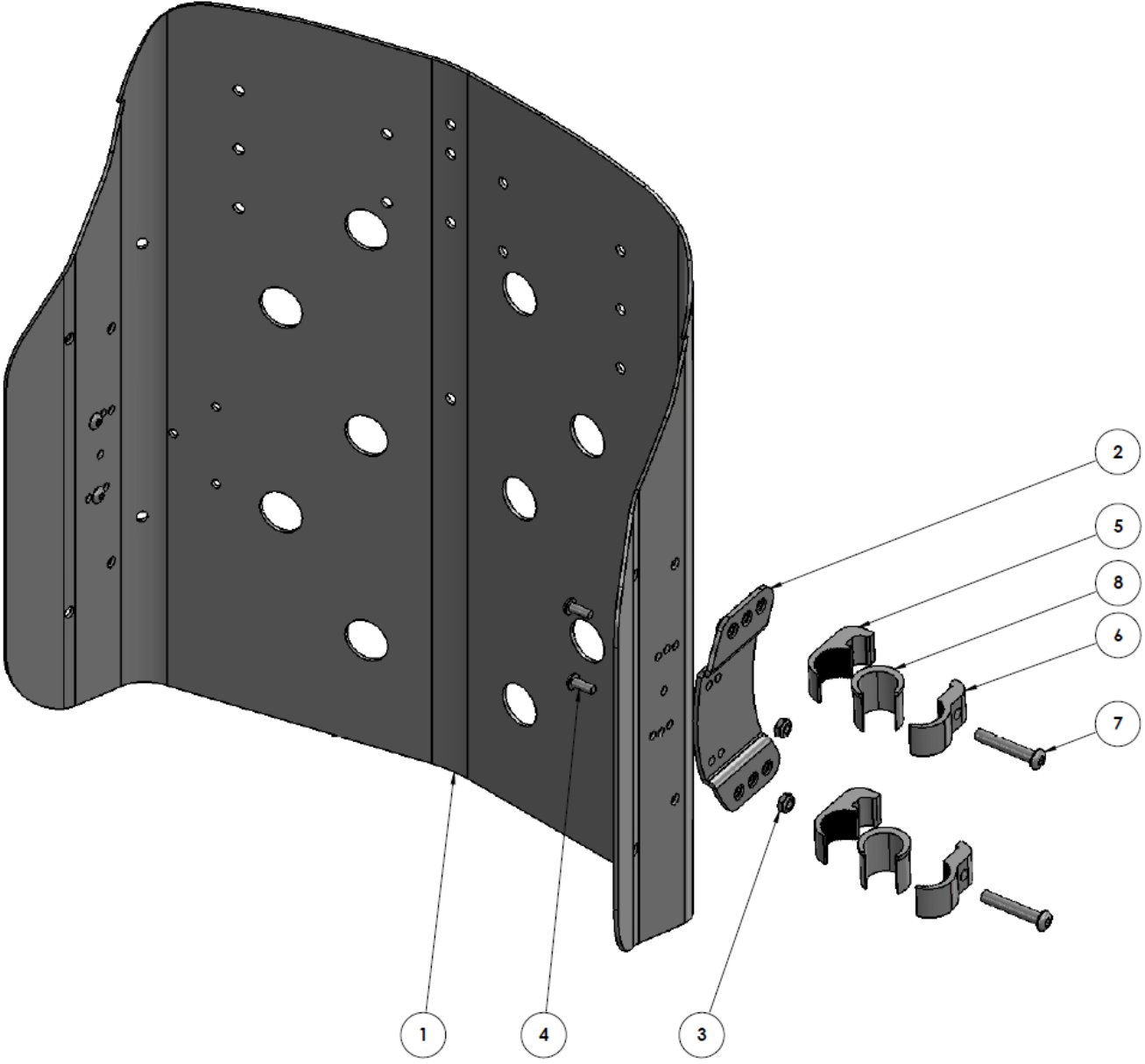
\* Part prices and configurations included in this Parts Manual are subject to change without prior notice.  
\* All prices are shown as per unit individual price.

## Contents

ORION BACK.....	4
<b>ORION BACK HARDWARE .....</b>	<b>4</b>

# ORION BACK

## ORION BACK HARDWARE



## ORION BACK HARDWARE TABLE

ITEM	QTY	NOTES	PART NO.	DESCRIPTION	PRICE/ UNIT
1	1		1000885	BASIC BACK SHELL 18" HIGH - GENERAL REFERENCE	\$0.00
2	2		1001410	ORION SHELL BRACKET	\$80.00
3	4		1000410	LOCKNUT THIN, 10-32 BLACK	\$2.00
4	4		1001212	SCREW, SOC HD BUTTON #10-32 X .50, BLACK	\$3.00
5	4		1002375	INNER CLAMP - MACHINED	\$15.00
6	4		1002376	OUTER CLAMP - MACHINED	\$15.00
7	4		1000493	SCREW, SOC HD BUTTON 1/4-20 X 1.50 BLACK	\$3.00
8	4		1002377	CLAMP INSERT 1" STEP DOWN 7/8"	\$2.50
	1		1028981	KIT, BACK MOUNTING HARDWARE (ITEMS 2-7)	\$150.00

NOTES: