



FUTURE

MOBILITY HEALTHCARE INC.

LAPTRAYS

PARTS MANUAL

FUTURE MOBILITY HEALTHCARE APPRECIATES YOUR BUSINESS.
OUR CUSTOMER SERVICE REPRESENTATIVES CAN BE CONTACTED AT:

**TO PLACE ORDERS:
(905) 671-1661**

FOR YOUR CONVENIENCE YOU MAY ALSO PLACE ORDERS BY FAX AT:

FAX: (905) 671-3377

PLEASE VISIT OUR WEBSITE AT:

www.futuremobility.ca

*Part prices and configurations included in this Parts Manual are subject to change without prior notice.

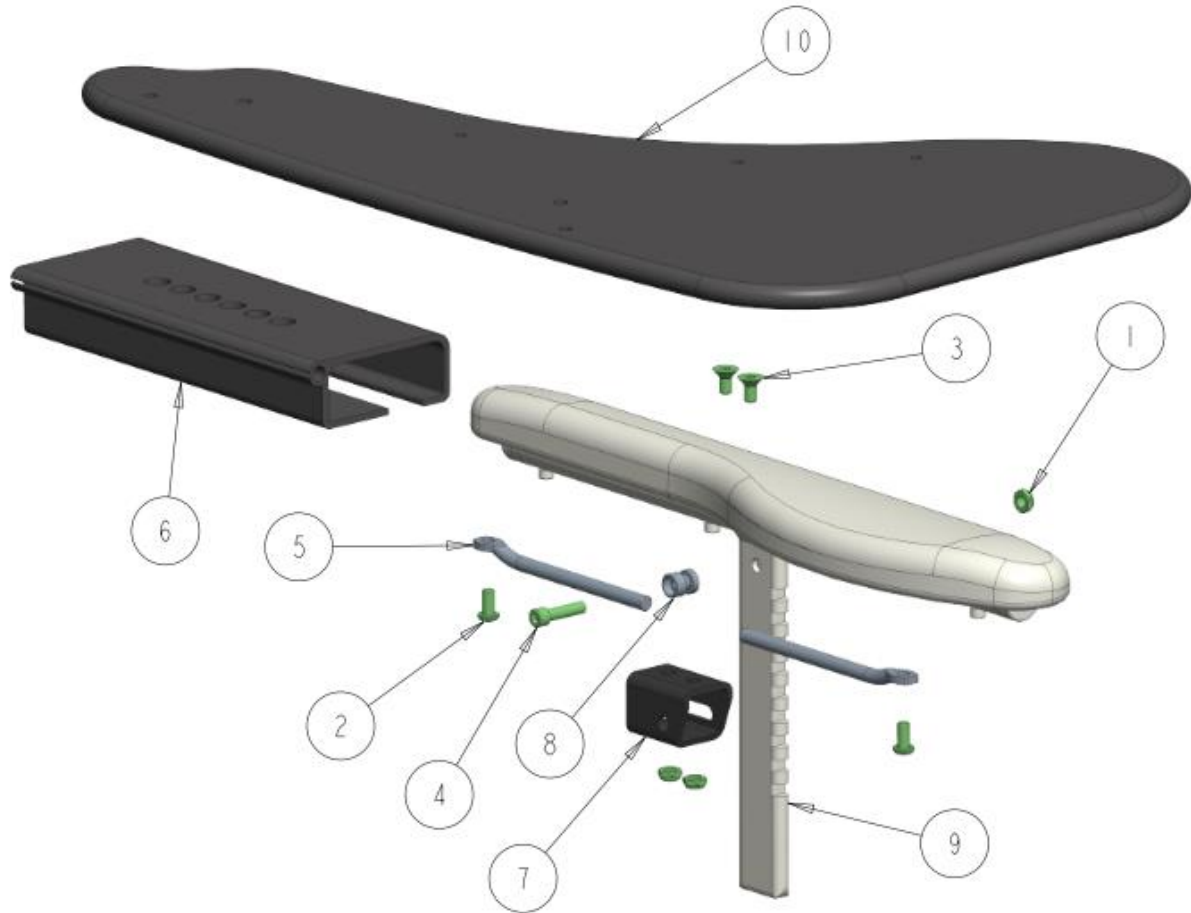
* All prices are shown as per unit individual price.

Contents

PADDED LAPTRAYS	5
HALF LAPTRAY CURVED GEL ARMPAD	5
HALF LAPTRAY VINYL ARMPAD	6
HALF LAPTRAY INSIDE GUARD	7
FULL PADDED LAPTRAY.....	9
CLEAR LAPTRAYS	11
FULL CLEAR LAPTRAY	11

PADDED LAPTRAYS

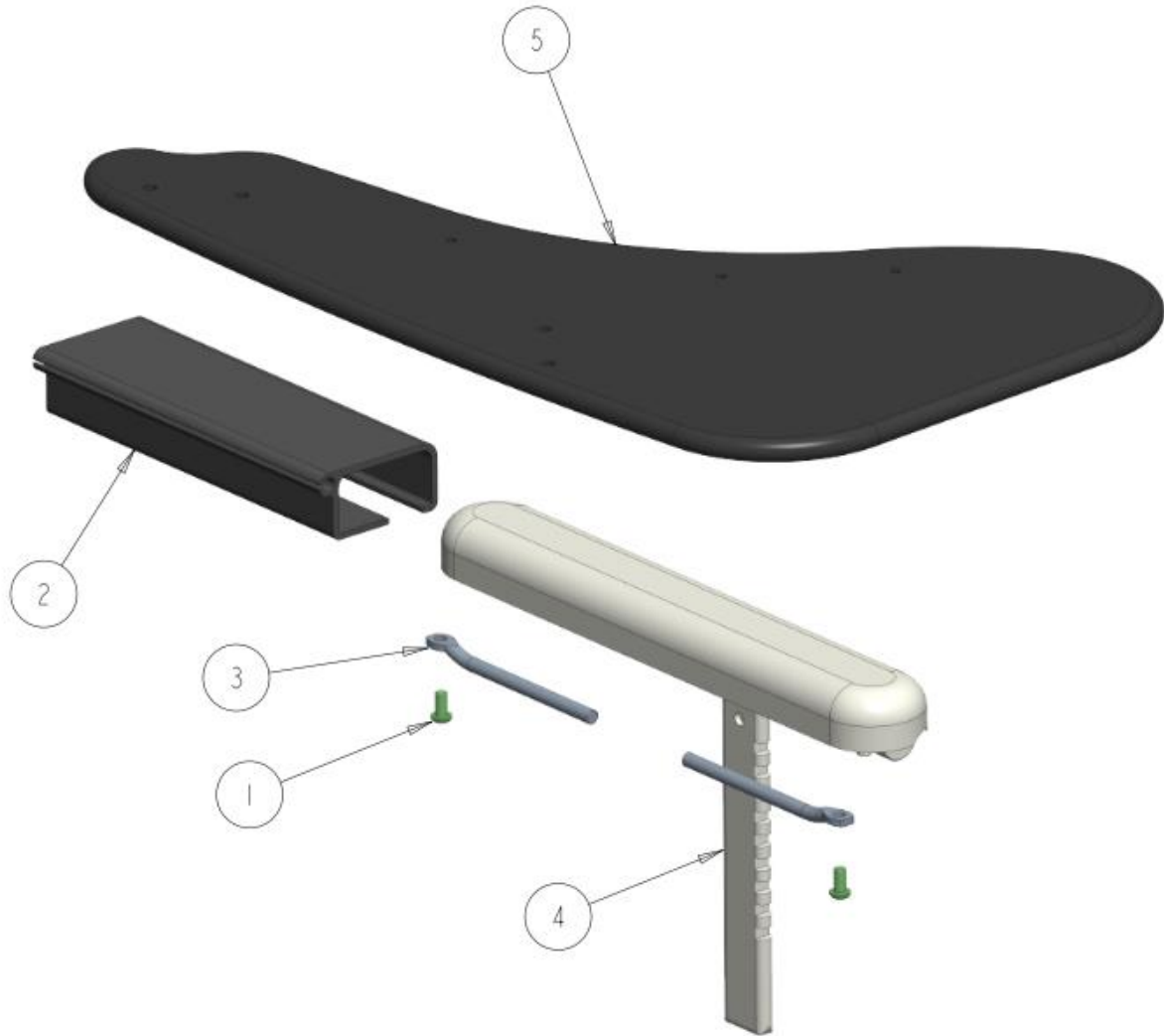
HALF LAPTRAY CURVED GEL ARMPAD



HALF LAPTRAY CURVED GEL ARMPAD – TABLE

ITEM	QTY	NOTES	PART NO.	DESCRIPTION	PRICE/ PER UNIT
1	3		1000397	NUT, HEX-NYLOCK THIN, 1/4-20NC	\$2.00
2	2		1000411	SCREW,SOC BUTTON HEAD 1/4-20 X 0.500	\$3.00
3	2		1001297	SCREW, FLAT HEAD SOCKET #1/4-20 X 0.5	\$3.00
4	1		1001469	SOC HD CAP 1/4-20 X 1.0 BLK	\$3.00
5	2		1007928	PIVOT ROD, HALF LAPTRAY	\$16.00
6	1		1007944	BRACKET CURVED ARMPAD, HALF LAPTRAY	\$40.00
7	1		1008631	GUIDE BRACKET HALF LAPTRAY RT	\$25.00
	1		1019534	GUIDE BRACKET HALF LAPTRAY LT	\$25.00
8	1		1008851	BRACKET GUIDE PIN	\$12.00
9	1		REF	WELDED ARM-REST TOP GEN ASS'Y	REF
10	1		1007933	HALF LAPTRAY WITH CUTOUT WITH FOAM & COVER RT	\$90.00
	1		1007934	HALF LAPTRAY WITH CUTOUT WITH FOAM & COVER LT	\$90.00
	1		1029706	KIT HALF LAPTRAY WITH MOUNTING BRACKET RT (GEL)	\$150.00
	1		1029707	KIT HALF LAPTRAY WITH MOUNTING BRACKET LT (GEL)	\$150.00

HALF LAPTRAY VINYL ARMPAD

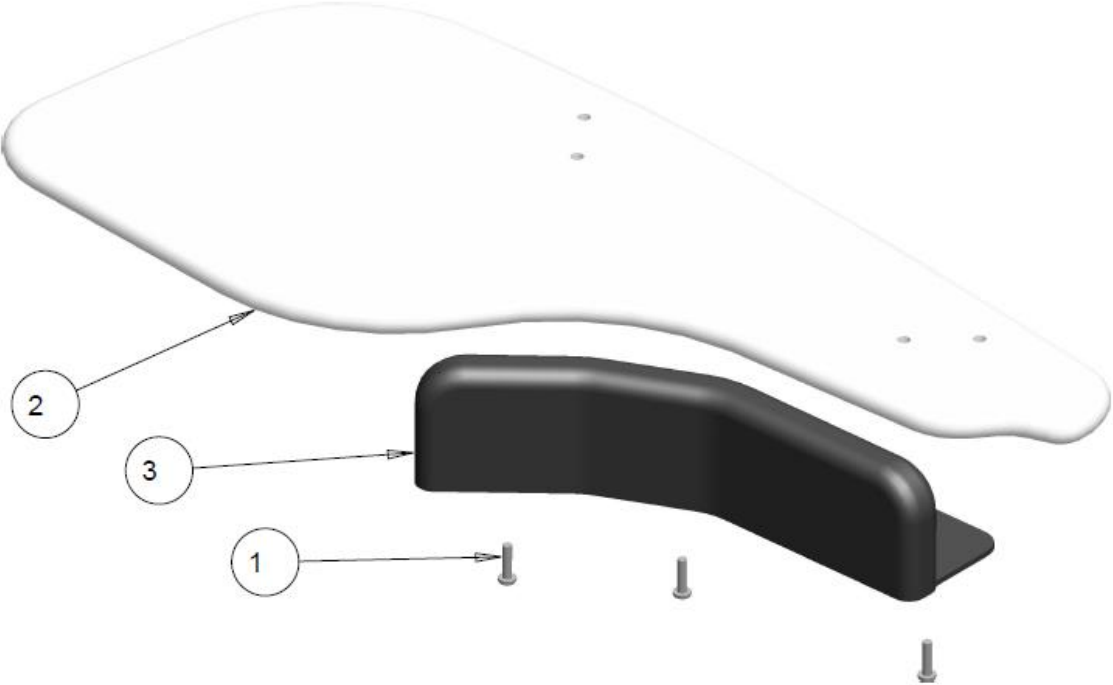


HALF LAPTRAY VINYL ARMPAD – TABLE

ITEM	QTY	NOTES	PART NO.	DESCRIPTION	PRICE/ PER UNIT
1	2		1000411	SCREW,SOC BUTTON HEAD 1/4-20 X 0.500	\$3.00
2	1		1007927	BRACKET, HALF LAPTRAY	\$40.00
3	2		1007928	PIVOT ROD, HALF LAPTRAY	\$16.00
4	1		REF	WELDED ARM-REST TOP GEN ASS'Y	REF
5	1		1007933	HALF LAPTRAY WITH CUTOUT WITH FOAM & COVER RT	\$90.00
	1		1007934	HALF LAPTRAY WITH CUTOUT WITH FOAM & COVER LT	\$90.00
	1		1029708	KIT HALF LAPTRAY WITH MOUNTING BRACKET RT (VINYL)	\$150.00
	1		1029709	KIT HALF LAPTRAY WITH MOUNTING BRACKET LT (VINYL)	\$150.00

NOTES:

HALF LAPTRAY INSIDE GUARD

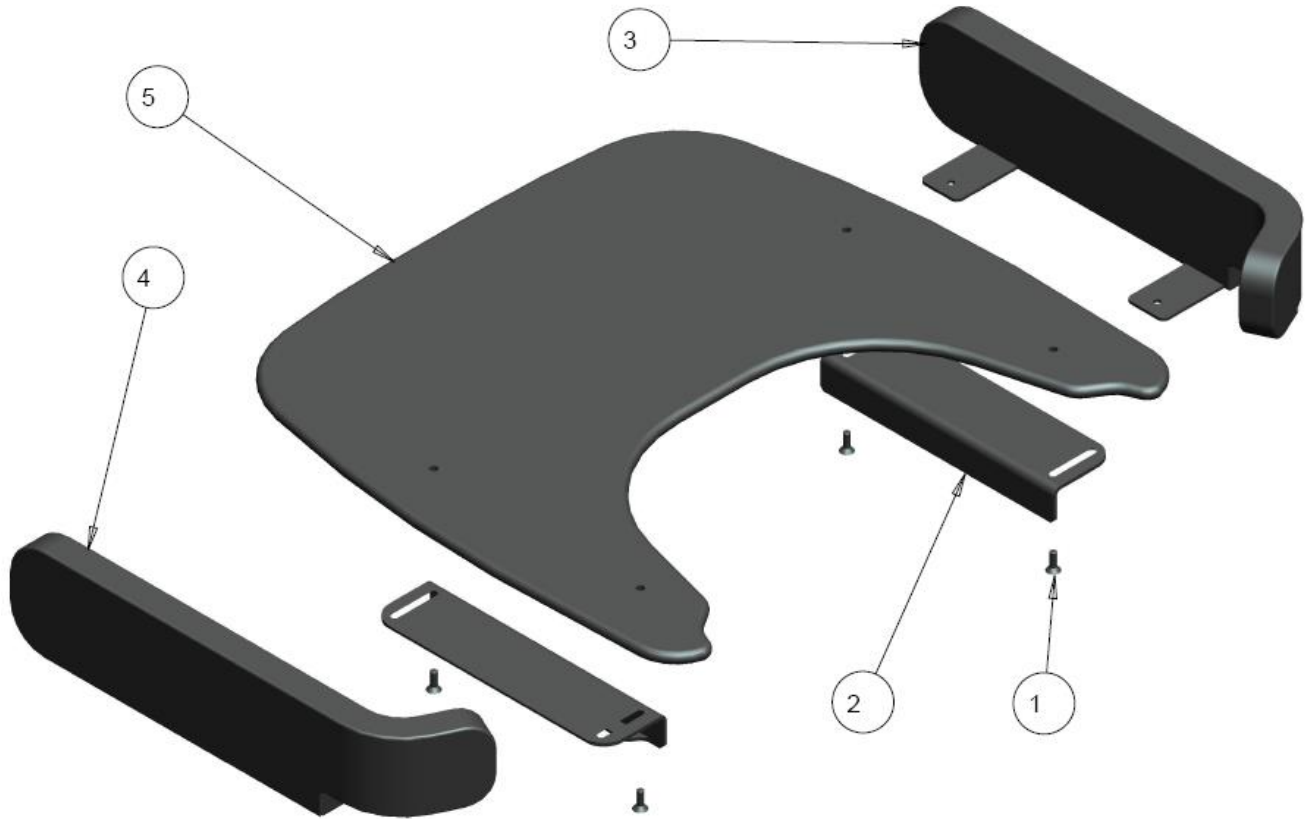


HALF LAPTRAY INSIDE GUARD – TABLE

ITEM	QTY	NOTES	PART NO.	DESCRIPTION	PRICE/ PER UNIT
1	3		1003762	SCREW, PHILLIPS PAN HEAD, #10-32NF X 3/4	\$3.00
2	1		REF	HALF LAPTRAY WITH FOAM AND COVER	REF
3	1		1028712	HALF LAPTRAY INSIDE GUARD RT	\$79.00
	1		1028715	HALF LAPTRAY INSIDE GUARD LT	\$79.00
	1		1029780	KIT HALF LAPTRAY INSIDE GUARD WITH SCREWS RT	\$85.00
	1		1029781	KIT HALF LAPTRAY INSIDE GUARD WITH SCREWS LT	\$85.00
		B23105-23113			

NOTES:

FULL PADDED LAPTRAY

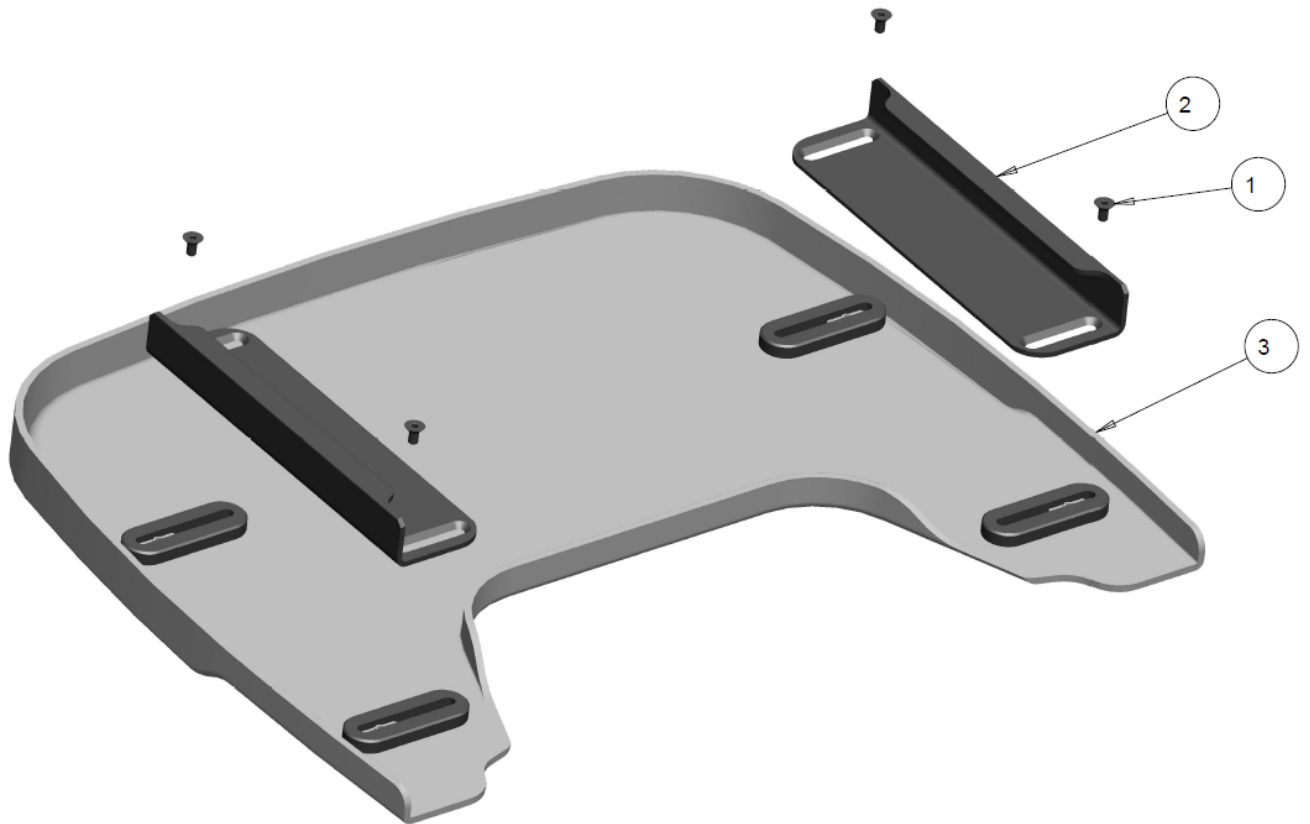


FULL PADDED LAPTRAY – TABLE

ITEM	QTY	NOTES	PART NO.	DESCRIPTION	PRICE/ PER UNIT
1	4		1001816	SCREW, FLAT HEAD SOCKET #1/4-20 X 0.75	\$3.00
2	2	A	1013344	ADULT LAPTRAY BRACKET, VINYL ARMPAD	\$39.50
	2	A	1004338	ADULT LAPTRAY BRACKET, CURVED ARMPAD	\$39.50
	2	B	1013782	KIDS LAPTRAY BRACKET, CURVED ARMPAD	\$39.50
	2	B	1031478	KIDS LAPTRAY BRACKET, VINYL ARMPAD	\$39.50
3	1		1005203	ELBOW STOP PADDED LAP TRAY RT ASSY	\$94.00
4	1		1005207	ELBOW STOP PADDED LAP TRAY LT ASSY	\$94.00
5	1		1021914	FULL PADDED LAPTRAY 11-12" WIDTH	\$215.00
	1		1021915	FULL PADDED LAPTRAY 13-14" WIDTH	\$215.00
	1		1002889	FULL PADDED LAPTRAY 15-16" WIDTH	\$215.00
	1		1003483	FULL PADDED LAPTRAY 17-18" WIDTH	\$200.00
	1		1002900	FULL PADDED LAPTRAY 19-20" WIDTH	\$200.00
	1		1003484	FULL PADDED LAPTRAY 21-22" WIDTH	\$265.00
	1		1002786	FULL PADDED LAPTRAY 23-24" WIDTH	\$265.00
	1		1011242	FULL PADDED LAPTRAY 25-26" WIDTH	\$265.00
	1		1011243	FULL PADDED LAPTRAY 27-28" WIDTH	\$265.00
	1		1011244	FULL PADDED LAPTRAY 29-30" WIDTH	\$265.00
	1		1011245	FULL PADDED LAPTRAY 31-32" WIDTH	\$265.00
6	1	C	1005202	ELBOW STOP, OUTER COVER ,RT	\$30.00
7	1	C	1005204	ELBOW STOP, OUTER COVER, LT	\$30.00
		B23140-23161			

NOTES: A – BRACKET WILL BE USED FOR CHAIR WIDTHS BETWEEN 15-32"
B – BRACKET WILL BE USED FOR CHAIR WIDTHS BETWEEN 11-14"
C – NOT SHOWN, INCLUDED IN ELBOW STOP (ITEM 3/4)

CLEAR LAPTRAYS
FULL CLEAR LAPTRAY



FULL CLEAR LAPTRAY – TABLE

ITEM	QTY	NOTES	PART NO.	DESCRIPTION	PRICE/ PER UNIT
1	4		1001297	SCREW, FLAT HEAD SOCKET #1/4-20 X 0.5	\$3.00
2	2		1013344	ADULT LAPTRAY BRACKET, VINYL ARMPAD	\$39.50
	2		1004338	ADULT LAPTRAY BRACKET, CURVED ARMPAD	\$39.50
3	1		1001841	CLEAR LAPTRAY MEDIUM (15-18" WIDE)	\$275.00
	1		1001842	CLEAR LAPTRAY LARGE (19-22" WIDE)	\$275.00
		B23175- 23181			

NOTES: