



Account Information		Order Date: _____
Account #: _____		P.O.# _____
Business Name: _____		Phone: _____
Ship to Address: _____		City: _____
Fax: _____		Province: _____ Postal Code: _____
Contact: _____		
TAG FOR: _____		

① FRAME TYPE		
<input checked="" type="checkbox"/> Orion III - WM0001195 -----	114	\$2,995
<input type="checkbox"/> Orion III Regular Tilt Setup - 45° Full Tilt -----	114MA33	No Charge
<input type="checkbox"/> Orion III Tilt Assist Setup - 40° Full Tilt -----	114MA73	No Charge
<input type="checkbox"/> Orion III Power Tilt Option - 38° Full Tilt -----	114MA31	\$1,700

TECHNICAL SPECIFICATIONS:

Orion III Regular Tilt 45°
Seat to Floor Height 13"-20"
Seat Width 16" to 24"
Seat Depth 15" to 20"
12", 16", 20", 22", 24" Rear Wheels
4", 5", 6", 8" Casters
Narrow Chair Width = Seat Width +9.5"
Regular Chair Width = Seat Width +10"
Weight Capacity 250 lbs
Power Tilt Weight Capacity 250 lbs

② FRAME FINISH		
Standard Colors		
<input type="checkbox"/> Wet Black-----	114C01	No Charge
<input type="checkbox"/> Silver Lining-----	114C02	No Charge
<input type="checkbox"/> Cobalt Blue -----	114C03	No Charge
<input type="checkbox"/> Green Apple -----	114C04	No Charge
<input type="checkbox"/> Burnt Orange -----	114C05	No Charge
<input type="checkbox"/> Lilac Purple -----	114C06	No Charge
<input type="checkbox"/> Fire Red -----	114C07	No Charge
<input type="checkbox"/> Yellow Ribbon -----	114C08	No Charge
<input type="checkbox"/> Silver Vein -----	114C18	No Charge
<input type="checkbox"/> Sky Blue -----	114C14	No Charge
<input type="checkbox"/> Custom Colours -----	114C17	\$300
Allow 7-10 days for Powder Coating time for Custom Colors		



③ CHAIR WIDTH OPTIONS:		
<input type="checkbox"/> Narrow Setup - Seat Width + 9.5" -----	114NCW	No Charge
Narrow Chair Setup Option only Fixed Bolt Rear Wheel mount available		
<input type="checkbox"/> Regular Setup - Seat Width + 10" -----	114RCW	No Charge
Fixed Bolt and Quick Release Axle available		

④ SEAT WIDTH (adjustable) sm 16"-20", lg 20"-24"		
<input type="checkbox"/> 16" Seat Width (sm) -----	114W16	No Charge
<input type="checkbox"/> 17" Seat Width (sm) -----	114W17	No Charge
<input type="checkbox"/> 18" Seat Width (sm) -----	114W18	No Charge
<input type="checkbox"/> 19" Seat Width (sm) -----	114W19	No Charge
<input type="checkbox"/> 20" Seat Width (sm)-----	114W33	No Charge
<input type="checkbox"/> 20" Seat Width (lg)-----	114W20	\$250
<input type="checkbox"/> 21" Seat Width (lg) -----	114W21	\$250
<input type="checkbox"/> 22" Seat Width (lg) -----	114W22	\$250
<input type="checkbox"/> 23" Seat Width (lg) -----	114W23	\$250
<input type="checkbox"/> 24" Seat Width (lg) -----	114W24	\$250



⑤ SEAT PAN OPTIONS		
<input type="checkbox"/> Solid Seat Pan -----	114SE1	No Charge
<input type="checkbox"/> Adjustable Seat Pan (width and depth) -----	114AS1	\$200

⑥ SEAT DEPTH (Extends from front of chair)

- 15" Seat Depth ----- 114SD15 No Charge
Infinite Recline Back not available with 15" Seat Depth
- 16" Seat Depth ----- 114SD16 No Charge
- 17" Seat Depth ----- 114SD17 No Charge
- 18" Seat Depth ----- 114SD18 No Charge
- 19" Seat Depth ----- 114SD19 No Charge
- 20" Seat Depth ----- 114SD20 \$110
- 21" Seat Depth ----- 114SD21 \$225
- 22" Seat Depth ----- 114SD22 \$225
- 23" Seat Depth ----- 114SD23 \$225
- 24" Seat Depth ----- 114SD24 \$225

⑦ SEAT-TO-FLOOR HEIGHT: (See chart following page)

- 13" Seat to Floor ----- 114SF02 No Charge
- 14" Seat to Floor ----- 114SF04 No Charge
- 15" Seat to Floor ----- 114SF06 No Charge
- 16" Seat to Floor ----- 114SF08 No Charge
- 17" Seat to Floor ----- 114SF10 No Charge
- 18" Seat to Floor ----- 114SF12 No Charge
- 19" Seat to Floor ----- 114SF14 No Charge
- 20" Seat to Floor ----- 114SF16 No Charge
20" STF Requires Riser Block under Seat Pan

⑧ CASTER OPTIONS:

- 4" x 1" Urethane Caster Wheel ----- 114CW13 No Charge
- 5" x 1.25" Urethane Caster Wheel ----- 114CW02 No Charge
- 6" x 1.25" Urethane Caster Wheel ----- 114CW04 No Charge
- 8" x 1.25" Urethane Caster Wheel ----- 114CW07 No Charge

⑨ REAR WHEEL OPTIONS:

- 12" Rear Wheel - Composite ----- 114RW01 No Charge
- 16" Rear Wheel - Composite ----- 114RW02 No Charge
- 20" Rear Wheel - Composite ----- 114RW03 No Charge
- 22" Rear Wheel - Composite ----- 114RW04 No Charge
- 24" Rear Wheel - Composite ----- 114RW05 No Charge
- 20" Rear Wheel - Spoke ----- 114RW06 \$255
- 22" Rear Wheel - Spoke ----- 114RW07 \$255
- 24" Rear Wheel - Spoke ----- 114RW08 \$255
- Spoke Guards ----- 114SG1 \$130
Not available with 12" and 16" Rear Wheels

⑩ REAR WHEEL TIRE:

- Airless (Solid Rubber) ----- 114RT1 Standard
- Pneumatic ----- 114RT2 No Charge
Only available on 20", 22" and 24" Rear Wheel

⑪ AXLE TYPE:

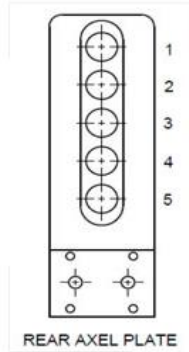
- Fixed Rear Axle ----- 114AX3 No Charge
- Quick Release Axle ----- 114AX1 \$110

⑫ HANDRIM OPTIONS

- Chrome ----- 114HR1 Standard
- Plastic Coated ----- 114HR2 \$160
Only available on 20", 22" and 24" Rear Wheel

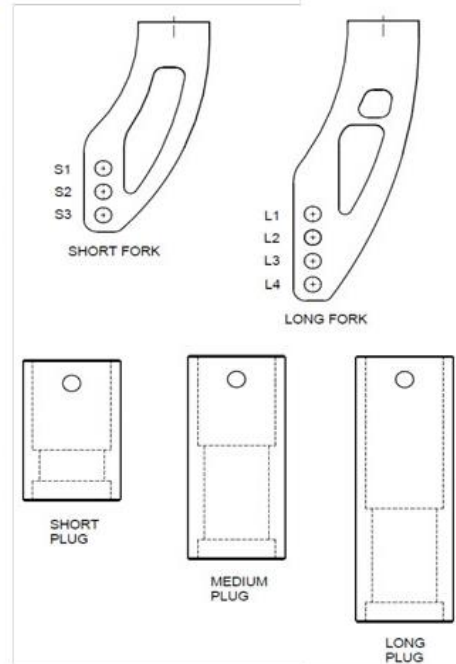
ORION III STF CONFIGURATIONS

FRONT STF	REAR WHEEL	AXEL POSITION
13.00	12	5
13.00	16	3
13.00	20	1
14.00	16	4
14.00	20	2
14.00	22	1
15.00	16	5
15.00	20	3
15.00	22	2
15.00	24	1
16.00	20	4
16.00	22	3
16.00	24	2
17.00	20	5
17.00	22	4
17.00	24	3
18.00	22	5
18.00	24	4
19.00	24	5
20.00	24	5



1" RISER BLOCK

FRONT STF	CASTER	FORK	FORK POSITION	CASTER PLUG
13.00	5	SHORT	S1	SHORT
14.00	4	LONG	L2	SHORT
14.00	5	SHORT	S3	SHORT
14.00	5	LONG	L1	SHORT
14.00	5	SHORT	S1	MED
14.00	6	SHORT	S2	SHORT
15.00	4	LONG	L2	MED
15.00	5	LONG	L3	SHORT
15.00	5	SHORT	S3	MED
15.00	5	LONG	L1	MED
15.00	5	SHORT	S1	LONG
15.00	6	SHORT	S2	MED
15.00	6	LONG	L2	SHORT
16.00	4	LONG	L2	LONG
16.00	5	LONG	L3	MED
16.00	5	SHORT	S3	LONG
16.00	5	LONG	L1	LONG
16.00	6	SHORT	S2	LONG
16.00	6	LONG	L4	SHORT
16.00	6	LONG	L2	MED
16.00	8	LONG	L2	SHORT
17.00	5	LONG	L3	LONG
17.00	6	LONG	L4	MED
17.00	6	LONG	L2	LONG
17.00	8	LONG	L2	MED
18.00	6	LONG	L4	LONG
18.00	8	LONG	L2	LONG
19.00	8	LONG	L4	LONG
20.00	8	LONG	L4	LONG

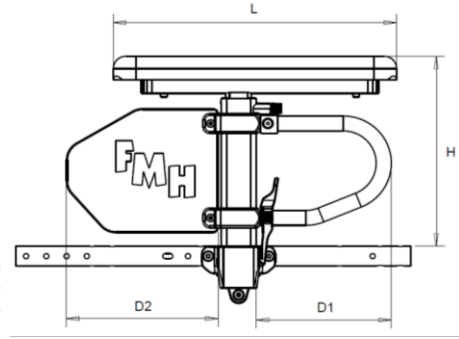


1" RISER BLOCK

13 ARM TYPE

- T-Style Fixed Height ----- 114AR02 No Charge
- T-Style Adjustable Height Pin Release - Youth ----- 114AR05 \$280
- T-Style Adjustable Height Pin Release - Adult ----- 114AR06 \$300
- T-Style Adjustable Height Knob Release----- 114AR30 \$300
- Flip Back Fixed Height ----- 114AR08 \$250
- Flip Back Adjustable Height ----- 114AR09 \$300
- Replace Adjustable knob with Fixed Bolt ----- 114AR39 No Charge

Only applies to Height Adjustable Knob Release Arm

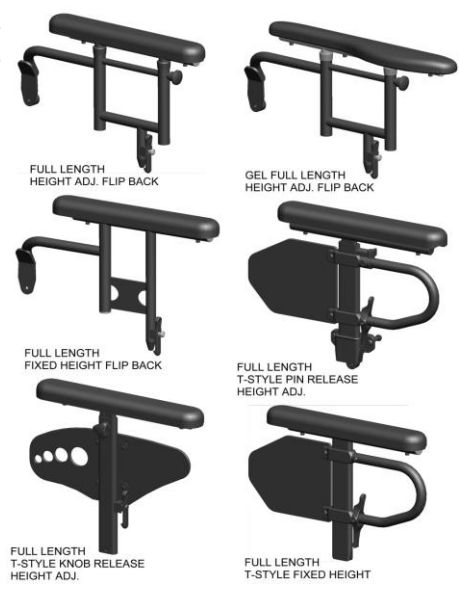


Armrest Matrix for T-Style Pin Release Arm

Armrest Style	Transfer Tube Length D1	Arm Guard Length D2	H Range	Arm Pad Length L		
				Desk	Full	Curved
Adult	6.75"	7.50"	9.50" - 14.50"	10.25"	14.0"	17.0"
Youth	4.50"	5.0"	8.75" - 13.75"			

14 ARM PAD

- Desk length Vinyl 10" (pair)----- 114AP1 No Charge
Not available with Flip Back Arm
- Full length Vinyl 14" (pair)----- 114AP2 No Charge
- Contour Gel 17" (pair)----- 114AP3 Standard
Only Gel Arm Pad on Flip Back Arm when Narrow Chair Width Option used



15 PUSH OPTIONS (1" Diameter Tubing)

Seat to Back Angle set at: -7° ___ 0° ___ +7° ___ +14° ___ +21° ___ +28° ___
Push Cane Max Tilt Angle Setup 14° with Flip Back Arm

- Fold Down Canes Low (20" Height) ----- 114PC3 No Charge
- Fold Down Canes High (25" Height) ----- 114PC4 No Charge
- Stroller Bar Fixed Low (20" Height)----- 114SH9 No Charge
- Stroller Bar Fixed High (25" Height)----- 114SH10 No Charge
- * Stroller Bar Fold Down Low (20" Height)----- 114SP13 \$250
- * Stroller Bar Fold Down High (25" Height)----- 114SP14 \$250
- Stroller Bars Recline Low (20" Height)----- 114SP11 \$500
- Stroller Bars Recline High (25" Height)----- 114SP12 \$500
- Stroller Bar Adjustable Hinge Low (20" Height)----- 114SH5 \$300
- Stroller Bar Adjustable Hinge High (25" Height)----- 114SH7 \$300
- * Stroller Bar Adjustable Hinged Fold Down Low (20" Height) ----- 114SH11 \$350
- * Stroller Bar Adjustable Hinged Fold Down High (25" Height) ----- 114SH13 \$350
- * Not available with flip back arm
- Stroller Bar Fixed Dual Bend ----- 114SP15 No Charge

16 TILT OPTIONS

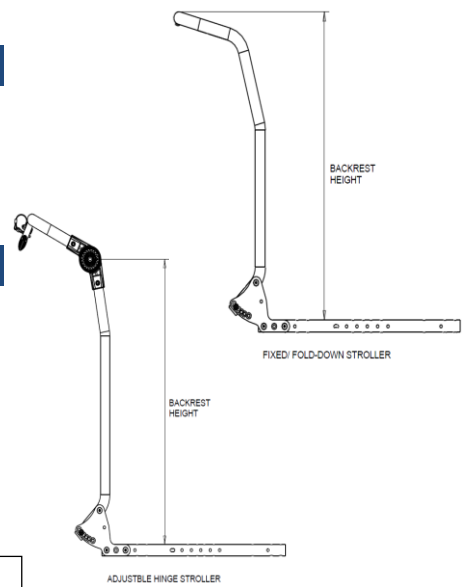
- Trigger Location - Push Cane----- 114TH1 No Charge
Side Trigger Handle not available with Adjustable Hinge Stroller.
- Trigger Location - Stroller Bar----- 114TH2 No Charge
- Foot Tilt Release (Mounted onto left side) ----- 114TH3 \$95
- Foot Tilt Release (Mounted onto right side) ----- 114TH4 \$95

17 BACK OPTIONS (CHOOSE ONE)

- Orion Back ----- 114BK00 No Charge
- Prism Basic Back ----- 114BK01 \$150
- Prism Ultra Back ----- 114BK06 \$250
- Prism Air Back ----- 114BK11 \$400
- Prism TrueFitt Back ----- 114BK16 \$650
- Prism Max Ultra Back ----- 114BK21 \$300
- Prism Max Air Back ----- 114BK26 \$450
- Prism Max TrueFitt Back ----- 114BK31 \$700
- Lunar Back Mid Basic Lateral on chair ----- 114BK39 \$550
- Omit Back ----- 114BK49 No Charge

Specify Back Size Height: 16" ___ 18" ___ 20" ___

For other Backs, please fill in the required Backs Order Form and attach it to this order. [Click here to see all Backs](#)



18 BACK PINS

- Longer Pins for Back Hardware 1" Growth ----- 114BP1 \$50
- Longer Pins for Back Hardware 2" Growth ----- 114BP2 \$50

19 CUSHION OPTIONS

- Prism Ideal Cushion ----- 114SC01 No Charge
- Prism Elite Cushion ----- 114SC04 \$250
- Prism Supreme Cushion ----- 114SC07 \$375
- Prism Supreme II Plus Cushion ----- 114SC10 \$375
- Prism Supreme Air Cushion ----- 114SC13 \$500
- Omit Cushion ----- 114SC20 No Charge

Standard Size Cushion Depth: 16", 18" and 20"

For other Cushions, please fill in the required Cushions Order Form and attach it to this order. [Click here to see all Cushions](#)

20 FRONT RIGGING (Pairs)

- 70 Degree Pin Style ----- 114FR01 Standard
- 80 Degree Pin Style ----- 114FR02 \$135
- 60 Degree Swingaway Upgraded ----- 114FR03 \$215
- 70 Degree Swingaway Upgraded ----- 114FR04 \$215
- 90 Degree Swingaway Upgraded ----- 114FR05 \$230

Can not use 90 degree Swingaway with 8" casters as footplates will interfere.

- Upgraded Elevating Legrest ----- 114FR10 \$550
- Stump Support Swingaway Upgraded Pair ----- 114FR32 \$420



UPGRADED SWINGAWAY



DUAL SWINGAWAY



PIN STYLE SWINGAWAY



DUAL SWINGAWAY ELEVATED LEGREST



STUMP SUPPORT SWINGAWAY

Single Pick Option

Same limitations as above pairs

- | | | | |
|---|---|---------|-----------|
| <input type="checkbox"/> 70 Degree Pin Style ----- | <input type="checkbox"/> RT <input type="checkbox"/> LT | 114FR33 | Standard |
| <input type="checkbox"/> 80 Degree Pin Style ----- | <input type="checkbox"/> RT <input type="checkbox"/> LT | 114FR34 | \$67 |
| <input type="checkbox"/> 60 Degree Swingaway Upgraded ----- | <input type="checkbox"/> RT <input type="checkbox"/> LT | 114FR35 | \$107 |
| <input type="checkbox"/> 70 Degree Swingaway Upgraded ----- | <input type="checkbox"/> RT <input type="checkbox"/> LT | 114FR36 | \$107 |
| <input type="checkbox"/> 90 Degree Swingaway Upgraded ----- | <input type="checkbox"/> RT <input type="checkbox"/> LT | 114FR37 | \$115 |
| <input type="checkbox"/> 60 Degree Dual Swingaway Upgraded | <input type="checkbox"/> RT <input type="checkbox"/> LT | 114FR38 | \$115 |
| <input type="checkbox"/> 70 Degree Dual Swingaway Upgraded | <input type="checkbox"/> RT <input type="checkbox"/> LT | 114FR39 | \$115 |
| <input type="checkbox"/> 80 Degree Dual Swingaway Upgraded | <input type="checkbox"/> RT <input type="checkbox"/> LT | 114FR40 | \$115 |
| <input type="checkbox"/> 90 Degree Dual Swingaway Upgraded | <input type="checkbox"/> RT <input type="checkbox"/> LT | 114FR41 | \$115 |
| <input type="checkbox"/> Upgraded Elevating Legrest ----- | <input type="checkbox"/> RT <input type="checkbox"/> LT | 114FR42 | \$225 |
| <input type="checkbox"/> Dual Swingaway Elevating Legrest --- | <input type="checkbox"/> RT <input type="checkbox"/> LT | 114FR43 | \$240 |
| <input type="checkbox"/> Stump Support Swingaway ----- | <input type="checkbox"/> RT <input type="checkbox"/> LT | 114FR44 | \$210 |
| <input type="checkbox"/> Omit Front Rigging ----- | | 114FR11 | No Charge |
| <input type="checkbox"/> Omit Footrest Hanger ----- | | 114FR12 | No Charge |

21 FOOTPLATE TYPE

- Composite Flip-Up Footplates Small ----- 114FP01 No Charge
- Composite Flip-Up Footplates Large ----- 114FP02 No Charge
- Composite Depth & Angle Adj Flip-Up Footplates Medium (18" u ----- 114FP09 \$120
- Composite Angle Adj. Flip-Up Cone Lock Large----- 114FP16 \$150
- Composite Angle Adj. Flip-Up Cone Lock X-Large----- 114FP17 \$170
- Composite Angle Adj. Flip-Up Cone Lock Large----- 114FP16 \$150
- Composite Angle Adj. Flip-Up Cone Lock X-Large----- 114FP17 \$170
- Aluminum Depth & Angle Adj Flip-Up Footplates Small----- 114FP10 \$120
- Aluminum Depth & Angle Adj Flip-Up Footplates Medium ----- 114FP11 \$120
- Aluminum Depth & Angle Adj Flip-Up Footplates Large ----- 114FP12 \$120
- One Piece Flip-Up Footboard, Aluminum ----- 114FP19 \$160

Not Available with 6" or 8" Casters when footboard is facing rear on 90° Swingaway.

- One Piece Flip-Up Footboard, Padded ----- 114FP26 \$210

Not Available with 6" or 8" Casters when footboard is facing rear on 90° Swingaway.



ALUMINUM FLIP UP DEPTH & ANGLE ADJ.



COMPOSITE FLIP UP



COMPOSITE FLIP UP DEPTH & ANGLE ADJ.



COMPOSITE FLIP UP ANGLE ADJ.

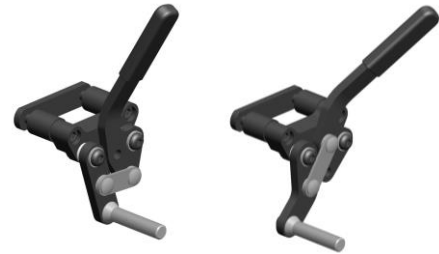
23 FOOTREST /LEGREST ACCESSORIES

<input type="checkbox"/> Heel Loops -----	114FA01	Standard
<input type="checkbox"/> Omit Heel Loops -----	114FA02	No Charge
<input type="checkbox"/> Padded Calf Strap -----	114FA03	\$70
<input type="checkbox"/> Swingaway Calf Pad (pair) -----	114FA04	\$185
<input type="checkbox"/> Foam Guard on Elevating Legrest (pair) -----	114FA05	\$70
<input type="checkbox"/> Foam Pad One Piece Footboard -----	114FA06	\$50
<input type="checkbox"/> Foam Pad on Footplate (pair) -----	114FA07	\$70

24 WHEEL LOCKS

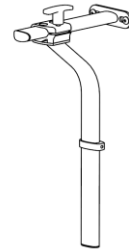
<input type="checkbox"/> Push-to-Lock Wheel Lock-----	114WL5	Standard
<input type="checkbox"/> Pull-to-Lock Wheel Lock-----	114WL6	No Charge
<input type="checkbox"/> Wheel Lock Extension (Bolt on)-----	114WL7	No Charge
<input type="checkbox"/> Attendant Wheel Lock (Foot Activated) RT -----	114WL8	\$356
<input type="checkbox"/> Attendant Wheel Lock (Foot Activated) LT -----	114WL9	\$356
<input type="checkbox"/> Unilateral Push Wheel Lock RT Activated -----	114WL10	\$250
<input type="checkbox"/> Unilateral Push Wheel Lock LT Activated -----	114WL11	\$250
<input type="checkbox"/> Unilateral Pull Wheel Lock RT Activated -----	114WL12	\$250
<input type="checkbox"/> Unilateral Pull Wheel Lock LT Activated -----	114WL13	\$250
<input type="checkbox"/> Berner Push Wheel Lock -----	114WL14	\$95
<input type="checkbox"/> Berner Pull Wheel Lock -----	114WL15	\$95

Wheel Lock Extension required with Flip Back Arm.

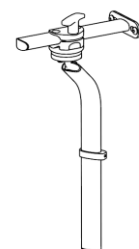


PUSH TO LOCK

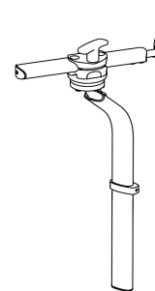
PULL TO LOCK



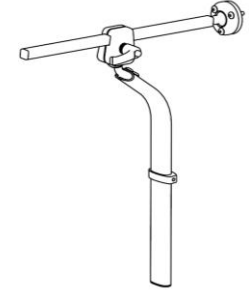
FIXED HEADREST CURVED



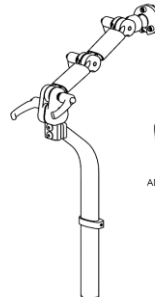
SINGLE MULTI AXIAL CURVED



DUAL MULTI AXIAL CURVED



INFINITE MULTI AXIAL CURVED



LINKS CURVED



ADDITIONAL LINK

25 HEADREST HARDWARE OPTIONS

<input type="checkbox"/> Fixed Headrest Hardware -----	114HE01	No Charge
<input type="checkbox"/> Fixed Headrest Curved Hardware -----	114HE15	No Charge
<input type="checkbox"/> Fixed Headrest Hardware (Plus 4") -----	114HE02	\$20
<input type="checkbox"/> Fixed Headrest Curved Hardware (Plus 4") -----	114HE16	\$20
<input type="checkbox"/> Single Multi Axial Headrest Hardware -----	114HE03	\$158
<input type="checkbox"/> Single Multi Axial Curved Headrest Hardware -----	114HE17	\$175
<input type="checkbox"/> Single Multi Axial Headrest Hardware (+ 4") -----	114HE04	\$183
<input type="checkbox"/> Single Multi Axial Curved Headrest Hardware (Plus 4") -----	114HE18	\$200
<input type="checkbox"/> Dual Multi Axial Headrest Hardware -----	114HE05	\$195
<input type="checkbox"/> Dual Multi Axial Curved Headrest Hardware -----	114HE19	\$225
<input type="checkbox"/> Dual Multi Axial Headrest Hardware (Plus 4") -----	114HE06	\$220
<input type="checkbox"/> Dual Multi Axial Curved Headrest Hardware (Plus 4") -----	114HE20	\$250
<input type="checkbox"/> Infinite Multi Axial Headrest Hardware -----	114HE21	\$225
<input type="checkbox"/> Infinite Multi Axial Curved Headrest Hardware -----	114HE22	\$250
<input type="checkbox"/> Infinite Multi Axial Hardware (Plus 4") -----	114HE23	\$245
<input type="checkbox"/> Infinite Multi Axial Curved Hardware (Plus 4") -----	114HE24	\$270
<input type="checkbox"/> Links Multi Adjustable Headrest (Comes with 2 links) -----	114HE10	\$200
<input type="checkbox"/> Links Multi Adjustable Curved Headrest (Comes with 2 links) -----	114HE11	\$240
<input type="checkbox"/> Additional Link for Headrest -----	114HE12	\$50
<input type="checkbox"/> 2 Additional Links for Headrest -----	114HE13	\$100
<input type="checkbox"/> 3 Additional Links for Headrest -----	114HE14	\$150

26 HEADREST ADAPTOR BRACKETS

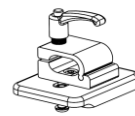
<input type="checkbox"/> 2 - Hole Headrest Adaptor Bracket with Clamp -----	114HEBA2	No Charge
<input type="checkbox"/> Universal Headrest Adaptor Bracket with Clamp -----	114HEBA	\$61

27 HEADREST FOAM PAD OPTIONS

<input type="checkbox"/> Small Headrest Foam Pad -----	114HF1	No Charge
<input type="checkbox"/> Small Headrest with Wings Foam Pad -----	114HF2	\$90
<input type="checkbox"/> Medium Headrest Foam Pad -----	114HF7	No Charge
<input type="checkbox"/> Medium Headrest with Wings Foam Pad -----	114HF8	\$90
<input type="checkbox"/> Large Headrest Foam Pad -----	114HF3	No Charge
<input type="checkbox"/> Large Headrest with Wings Foam Pad -----	114HF4	\$95
<input type="checkbox"/> Pro-Fit Small Headrest -----	114HF12	\$100
<input type="checkbox"/> Pro-Fit Medium Headrest -----	114HF13	\$105
<input type="checkbox"/> Pro-Fit Large Headrest -----	114HF14	\$110
<input type="checkbox"/> Omit Headrest -----	114HE09	No Charge



HEADREST UNIVERSAL BASE KIT



HEADREST BASE 2-HOLE KIT



HINGED CLAMP

ANTI TIP

<input checked="" type="checkbox"/> Quick Flip Anti-Tippers -----	114MA23	\$100
---	---------	-------

MISCELLANEOUS ACCESSORIES

<input type="checkbox"/> Tilt Locking Collar -----	114MA01	\$20
<input type="checkbox"/> Recline Locking Collar -----	114MA02	\$20
<input type="checkbox"/> Auto Seat Positioning Strap -----	114MA03	\$52
<input type="checkbox"/> Airline Seat Positioning Strap -----	114MA04	\$76
<input type="checkbox"/> Velcro Release Positioning Strap -----	114MA05	\$48
<input type="checkbox"/> Foam Pad on Arm Guard (pair) -----	114MA06	\$140
<input type="checkbox"/> Padded Lap Tray 15"-16" -----	114MA09	\$285
<input type="checkbox"/> Padded Lap Tray 17"-18" -----	114MA10	\$285
<input type="checkbox"/> Padded Lap Tray 19"-20" -----	114MA11	\$285
<input type="checkbox"/> Padded Lap Tray 21"-22" -----	114MA12	\$385
<input type="checkbox"/> Padded Lap Tray 23"-24" -----	114MA13	\$385
<input type="checkbox"/> Half Padded Lap Tray, left side-----	114MA14	\$160
<input type="checkbox"/> Half Padded Lap Tray, right side-----	114MA15	\$160
<input type="checkbox"/> Elbow Stop, left -----	114MA16	\$94
<input type="checkbox"/> Elbow Stop, right -----	114MA17	\$94
<input type="checkbox"/> Shoulder Lateral Pad (each) -----	114MA18	\$90
<i>Not available with Flip Back Arm</i>		
<input type="checkbox"/> Adjustable Side Pad -----	114MA19	\$157
<input type="checkbox"/> IV Pole, telescopic-----	114MA20	\$168
<input type="checkbox"/> Oxygen Tank Holder-----	114MA21	\$173
<input type="checkbox"/> Adductor Pad 10W x 4.5H w/Flush Hooks (pair)-----	114MA24	\$175
<input type="checkbox"/> Adductor Pad 10W x 4.5H w/Offset Hooks (pair)-----	114MA25	\$175
<input type="checkbox"/> Adductor Pad 12W x 4.5H w/Flush Hooks (pair)-----	114MA26	\$175
<input type="checkbox"/> Adductor Pad 12W x 4.5H w/Offset Hooks (pair)-----	114MA27	\$175
<input type="checkbox"/> Adductor Pad 14W x 4.5H w/Flush Hooks (pair)-----	114MA28	\$175
<input type="checkbox"/> Adductor Pad 14W x 4.5H w/Offset Hooks (pair)-----	114MA29	\$175
<input type="checkbox"/> Wheelchair Securement Points -----	114MA30	\$250

WARRANTY
<p>Future Mobility Healthcare warrants the Orion III to be free from defects in materials and workmanship for a period of two (2) year from the date of purchase. The frame is warranted for the lifetime of the original purchaser and/or user. The batteries required for Power Tilt are warranted for six (6) months actuator and hand control are warranted for one (1) year.</p>