

Future Mobility Products Oxygen Tank Holder Fixed Back Kit

Assembly, Installation and Operating Instructions

NOTE: Check all parts for shipping damages before using. In case of damage, do NOT use the equipment. Contact the Equipment Supplier for further instructions.

WARNING

DO NOT install this equipment without first reading and understanding this instruction booklet. If you are unable to understand these instructions, contact a healthcare professional, dealer or technical personnel before attempting to install this equipment - otherwise, injury or damage may occur.

NOTICE

Information contained within this document is subject to change without notice.

MOUNTING THE OXYGEN TANK HOLDER – FIXED BACK

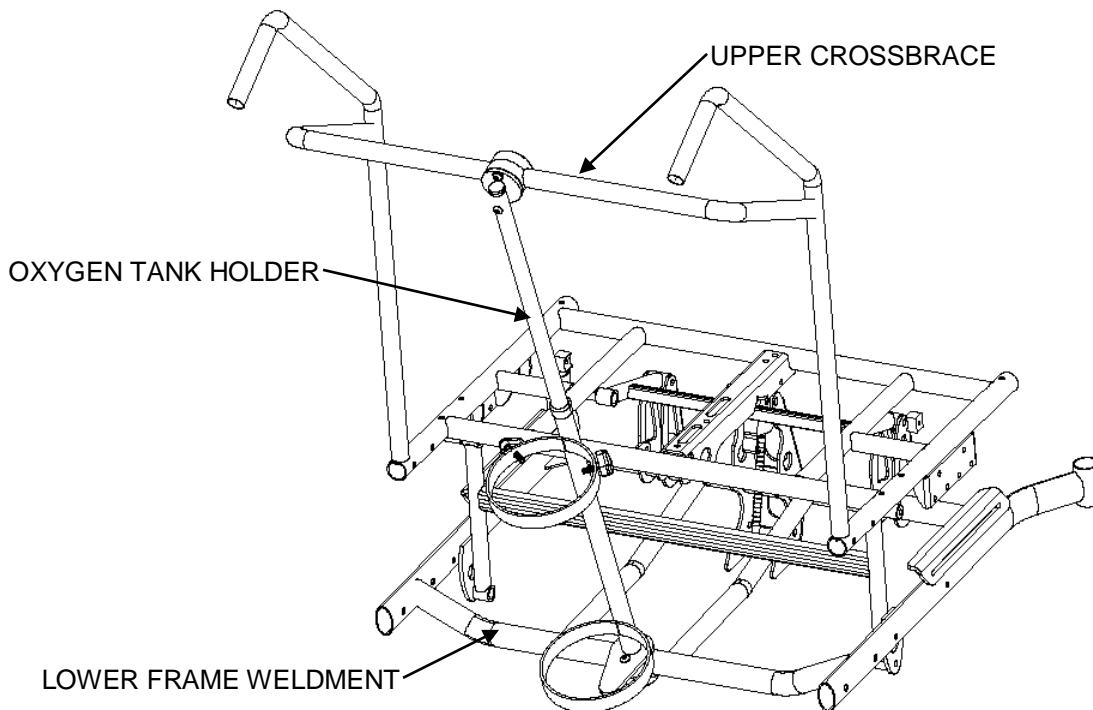


Figure (1)

Instructions:

1. Place a top and bottom nylon lock collar .875" diameter around the upper crossbrace on the ORION II wheelchair.
2. Fasten the upper slide tube weldment to the top and bottom collar using a 1/4-20 x 1.5" and 1/4-20 x 2" button head screw.
3. Place a top and bottom nylon lock collar 1.125" diameter around the lower frame weldment on the ORION II wheelchair.
4. Fasten the main oxygen tank holder to the top and bottom collar using two 1/4-20 x 1.5" button head screws.
5. Place the oxygen tank in the holder and turn the two knobs to hold the tank in place.

Note: - Figure (1) shows the mounting of the of the oxygen tank holder on the ORION II upper crossbrace (upper tubing) and lower frame weldment (lower tubing).

Oxygen Tank Holder Assembly - Fixed Back

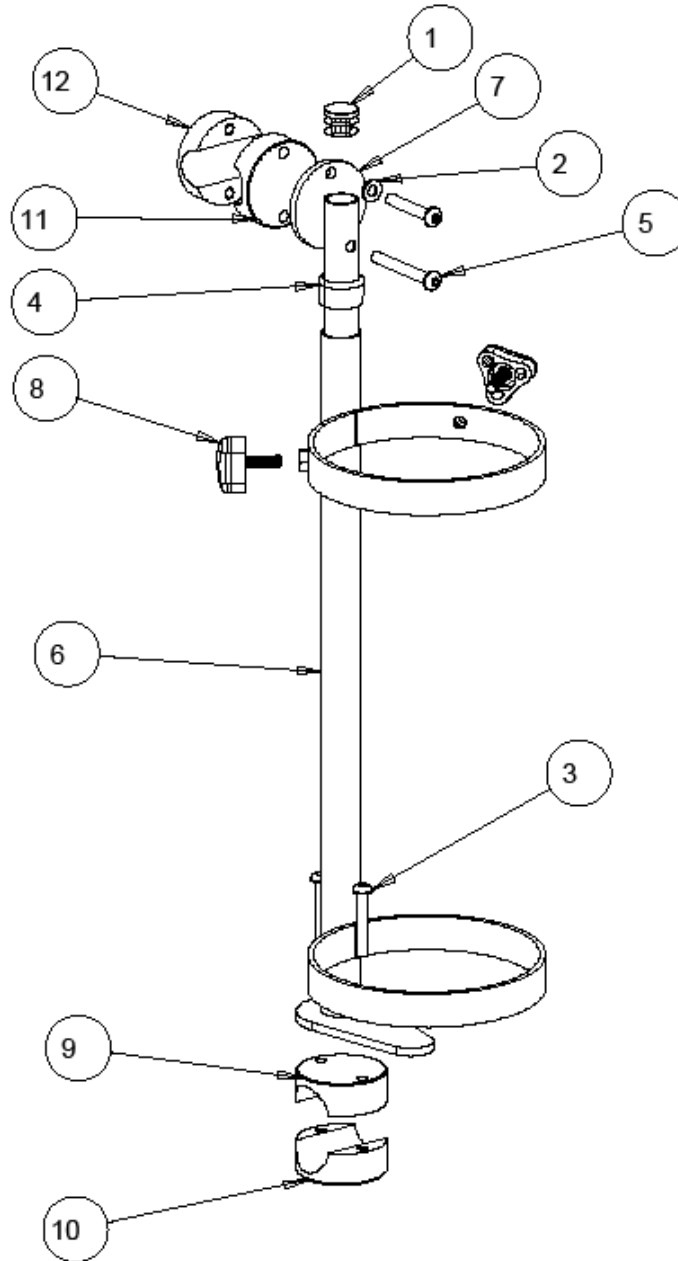


Figure (2)

ITEM	QTY	PART NO.	DESCRIPTION
1	1	1000018	ROUND PLUG TUBE
2	1	1000401	WASHER FLAT 1/4 ID
3	3	1000493	SCREW, SOCKET HEAD BUTTON 1/4-20 X 1.50
4	1	1001222	GLIDE PLUG .875 DIA, 0.75 SLIDE TUBE
5	1	1002708	SCREW, SOC HD BUT 1/4-20 BLACK 2.00
6	1	1008233	MAIN , OXYGEN TANK HOLDER
7	1	1008238	UPPER SLIDE TUBE WELDMENT
8	2	1008245	3 PRONG KNOB 1/4-20 LONG
9	1	1008254	TOP NYLON LOCK COLLAR (1.125" diameter) .261 clearance holes
10	1	1008257	BOTTOM NYLON LOCK COLLAR (1.125" diameter) 1/4-20 tapped holes
11	1	1008276	TOP NYLON LOCK COLLAR (.875" diameter) .261 clearance holes
12	1	1008277	BOTTOM NYLON LOCK COLLAR (.875" diameter) 1/4-20 tapped holes

WARRANTY

This warranty is extended only to the original purchaser/user of our products.

Future Mobility Healthcare Inc. warrants this seating product to be free from defects in materials and workmanship for one (1) year on Lap Tray upon normal usage by original purchaser. If within this warranty period the product shall be proven to be defective, such product shall be repaired or replaced, at Future Mobility Healthcare Inc. discretion. Future Mobility Healthcare Inc. sole obligation and your exclusive remedy under this warranty shall be limited to the repair and/or replacement of the product or its parts. This warranty does not include any labour or shipping charges incurred in replacement part installation or repair of any product.

For warranty service, please contact the dealer from whom you purchased your Future Healthcare Inc. product. In the event you do not receive satisfactory warranty service, please write directly to Future Mobility Healthcare Inc. at 3223 Orlando Drive, Mississauga, Ontario, L4V 1C5. Provide the dealer's name, address, model number, date of purchase and indicate the nature of the defect.

DO NOT return products to Future Mobility Healthcare Inc. without our prior consent. The defective unit or parts must be returned for warranty inspection within thirty (30) days of the return authorization date. (Future Mobility Healthcare Inc. will issue a return authorization number). Please prepay all shipping charges; C.O.D. shipments will be refused.

LIMITATIONS and EXCLUSIONS: This warranty shall not apply to problems arising from normal wear or failure to adhere to the enclosed instructions. Products subjected to negligence, accident, improper usage, maintenance or storage; or products modified without Future Mobility Healthcare Inc. written consent including, but not limited to : modification through the use of any unauthorized parts or attachments; products damaged by reason or repairs made to any component without the specific consent of Future Mobility Healthcare Inc., or products repaired by anyone other than a Future Mobility Healthcare Inc. dealer. Such evaluation shall be determined by Future Mobility Healthcare Inc..

The foregoing warranty is exclusive and in lieu of all other expressed warranties. It shall not extend beyond the duration of the expressed warranty provided herein and the remedy for violations of any implied warranty shall be limited to repair or replacement of the defective product pursuant to the terms contained herein. Future Mobility Healthcare Inc. shall not be liable for any consequential or incidental damages whatsoever.

This warranty shall be extended to comply with all provincial laws and requirements.

6750 Professional Court
Mississauga ON L4V 1X6
Tel: 905-671-1661
Fax: 905-671-3377

e-mail: orderdesk@futuremobility.ca
www.future-mobility.com

Future Mobility
Healthcare Inc.