

Future Mobility Products Oxygen Tank Holder Stellato Kit

Assembly, Installation and Operating Instructions

NOTE: Check all parts for shipping damages before using. In case of damage, do NOT use the equipment. Contact the Equipment Supplier for further instructions.

WARNING

DO NOT install this equipment without first reading and understanding this instruction booklet. If you are unable to understand these instructions, contact a healthcare professional, dealer or technical personnel before attempting to install this equipment - otherwise, injury or damage may occur.

NOTICE

Information contained within this document is subject to change without notice.

MOUNTING THE OXYGEN TANK HOLDER – STELLATO

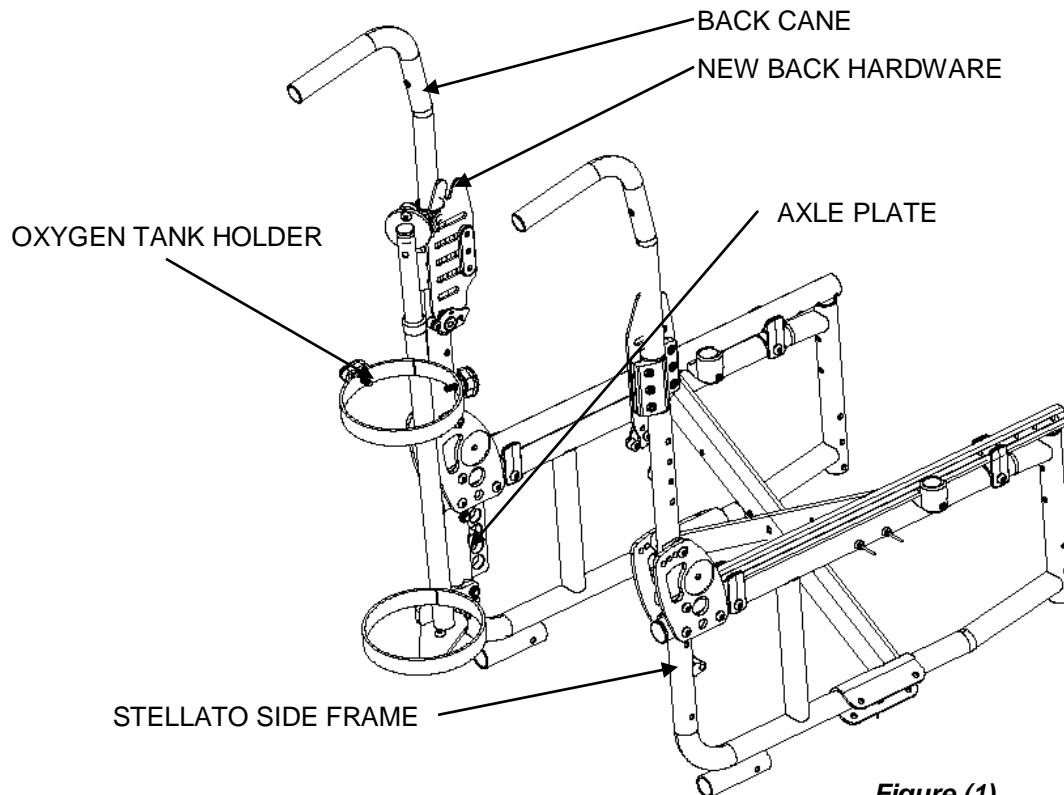


Figure (1)

Instructions:

1. Place a clamp insert 1" stepdown 7/8" onto the stellato back cane and locate it above the new hardware or near the top of the tube before the bend for a tension back.
2. Place a link bushing x-brace assembly onto the clamp insert described in step 1
3. Insert the top bracket into the opening of the link bushing assembly in step 2.
4. Replace the bottom screw of the Axle plate with a 1/4-20 x 2" hex head bolt and washer. On the inside of the chair place a coved spacer .5" rad x 1/4", stop bracket and a 1/4-20 locknut.

5. Place a link bushing x-brace assembly onto the stellato side frame tubing and locate it below the axle plate.
6. Insert the bottom bracket into the opening of the link bushing assembly in step 5.
7. Fasten the link bushings to their respective brackets using a 10-32 x 3/4" button head screw and 10/32 locknut.
8. Place the main oxygen tank holder onto the bottom bracket and fasten with (2) 1/4-20 x 3/4" button head screws , (2) 1/4" washers and (2) 1/4-20 locknuts.
9. Slide the upper slide tube weldment onto the main oxygen tank holder and fasten the upper portion to the top bracket using a 1/4-20 x 3/4" button screw , 1/4" washer and 1/4-20 locknut.
10. The oxygen tank holder stop bracket should prevent the assembly from moving inwards towards the wheels – see Figure (3). Ensure the assembly is stable and is not loose.
11. Place the oxygen tank in the holder and turn the two knobs to hold the tank in place.

Note: The Stellato wheelchair should be able to fold even with oxygen tank holder in place. For Stellato wheelchairs with tension backs, the backs may need to be cut in order to allow the link bushing x-brace assembly to fit in place.

Oxygen Tank Holder Assembly – Stellato

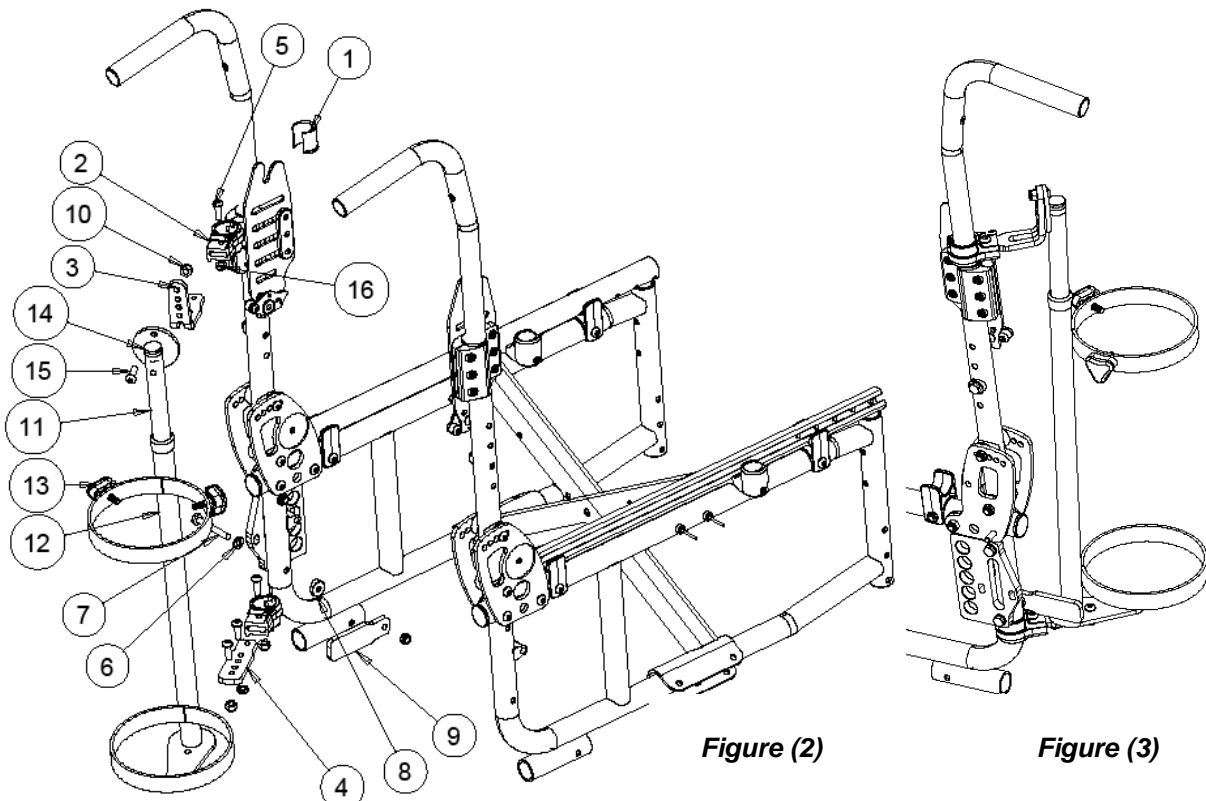


Figure (2)

Figure (3)

ITEM	QTY	PART NO.	DESCRIPTION
1	1	1002377	CLAMP INSERT 1" STEPDOWN 7/8"
2	2	1008776	LINK BUSHING X-BRACE ASSEMBLY
3	1	1008779	STELLATO OXYGEN TANK HOLDER TOP BRACKET
4	1	1008781	STELLATO OXYGEN TANK HOLDER BOTTOM BRACKET
5	2	1000937	SCREW, SOC BUTTON HEAD 10/32 X 3/4" LG.
6	4	1000401	WASHER FLAT 1/4" ID .260 OD .50 THK .062
7	1	1000372	BOLT, HEX HEAD, 1/4-20NC X 2
8	1	1000113	COVED SPACER .5" RAD x 1/4"
9	1	1008781	STELLATO OXYGEN TANK HOLDER STOP BRACKET
10	3	1000397	NUT, HEX-NYLOCK THIN, 1/4-20NC
11	1	1008238	UPPER SLIDE TUBE WELDMENT
12	1	1008233	MAIN OXYGEN TANK HOLDER
13	2	1008245	3 PRONG KNOB 1/4-20 LONG

14	1	1000018	ROUND PLUG TUBE 3/4" DIAMETER
15	3	1001391	SCREW, SOC BUTTON HEAD 1/4-20 X 3/4" LG.
16	2	1000410	NUT, HEX-NYLOCK THIN, 10/32 NC

WARRANTY

This warranty is extended only to the original purchaser/user of our products.

Future Mobility Healthcare Inc. warrants this seating product to be free from defects in materials and workmanship for one (1) year on Lap Tray upon normal usage by original purchaser. If within this warranty period the product shall be proven to be defective, such product shall be repaired or replaced, at Future Mobility Healthcare Inc. discretion. Future Mobility Healthcare Inc. sole obligation and your exclusive remedy under this warranty shall be limited to the repair and/or replacement of the product or its parts. This warranty does not include any labour or shipping charges incurred in replacement part installation or repair of any product.

For warranty service, please contact the dealer from whom you purchased your Future Healthcare Inc. product. In the event you do not receive satisfactory warranty service, please write directly to Future Mobility Healthcare Inc. at 3223 Orlando Drive, Mississauga, Ontario, L4V 1C5. Provide the dealer's name, address, model number, date of purchase and indicate the nature of the defect.

DO NOT return products to Future Mobility Healthcare Inc. without our prior consent. The defective unit or parts must be returned for warranty inspection within thirty (30) days of the return authorization date. (Future Mobility Healthcare Inc. will issue a return authorization number). Please prepay all shipping charges; C.O.D. shipments will be refused.

LIMITATIONS and EXCLUSIONS: This warranty shall not apply to problems arising from normal wear or failure to adhere to the enclosed instructions. Products subjected to negligence, accident, improper usage, maintenance or storage; or products modified without Future Mobility Healthcare Inc. written consent including, but not limited to : modification through the use of any unauthorized parts or attachments; products damaged by reason or repairs made to any component without the specific consent of Future Mobility Healthcare Inc., or products repaired by anyone other than a Future Mobility Healthcare Inc. dealer. Such evaluation shall be determined by Future Mobility Healthcare Inc..

The foregoing warranty is exclusive and in lieu of all other expressed warranties. It shall not extend beyond the duration of the expressed warranty provided herein and the remedy for violations of any implied warranty shall be limited to repair or replacement of the defective product pursuant to the terms contained herein. Future Mobility Healthcare Inc. shall not be liable for any consequential or incidental damages whatsoever.

This warranty shall be extended to comply with all provincial laws and requirements.

6750 Professional Court
 Mississauga ON L4V 1X6
 Tel: 905-671-1661
 Fax: 905-671-3377
 e-mail: orderdesk@futuremobility.ca
www.futuremobility.ca

Future Mobility
Healthcare Inc.