



**FUTURE**

MOBILITY HEALTHCARE INC.

2700 REV-D

**REAR WHEELS  
QUICK RELEASE**

**PARTS MANUAL**

FUTURE MOBILITY HEALTHCARE APPRECIATES YOUR BUSINESS.  
OUR CUSTOMER SERVICE REPRESENTATIVES CAN BE CONTACTED AT:

**TO PLACE ORDERS:  
(905) 671-1661**

FOR YOUR CONVENIENCE YOU MAY ALSO PLACE ORDERS BY FAX AT:

**FAX: (905) 671-3377**

PLEASE VISIT OUR WEBSITE AT:

**[www.futuremobility.ca](http://www.futuremobility.ca)**

\*Part prices and configurations included in this Parts Manual are subject to change without prior notice.

\* All prices are shown as per unit individual price.

## Contents

<b>REAR WHEELS .....</b>	<b>5</b>
REAR WHEEL MAG, COMPOSITE WHEEL COMPLETE.....	5
REAR WHEEL SPOKE WHEEL COMPLETE.....	7
HANDRIMS .....	9
COMPOSITE WHEEL ASSEMBLY .....	11
TIRES/ INNER TUBES .....	13
SPOKE GUARDS.....	15
<b>QUICK RELEASE .....</b>	<b>17</b>
MUSHROOM QUICK RELEASE.....	17
<b>POWER WHEELS .....</b>	<b>19</b>
POWER CHAIR DRIVE WHEEL 12.625 DIA.....	19



**REAR WHEELS**

**REAR WHEEL MAG, COMPOSITE WHEEL COMPLETE**



## REAR WHEEL MAG, COMPOSITE WHEEL COMPLETE - TABLE

ITEM	NOTES	QTY	PART NO.	DESCRIPTION	PRICE/ UNIT
1		1	1021931	24" WHEEL MAG COMPLETE SOLID TIRE SS HANDRIM	\$ 340.00
			1021947	24" WHEEL MAG COMPLETE PNEUMATIC TIRE SS HANDRIM	\$ 340.00
			1021948	24" WHEEL MAG COMPLETE SOLID TIRE VINYL HANDRIM	\$ 340.00
			1021949	24" WHEEL MAG COMPLETE PNEUMATIC TIRE VINYL HANDRIM	\$ 340.00
2		1	1021932	22" WHEEL MAG COMPLETE SOLID TIRE SS HANDRIM	\$ 340.00
			1021950	22" WHEEL MAG COMPLETE PNEUMATIC TIRE SS HANDRIM	\$ 340.00
			1021951	22" WHEEL MAG COMPLETE SOLID TIRE VINYL HANDRIM	\$ 340.00
			1021952	22" WHEEL MAG COMPLETE PNEUMATIC TIRE VINYL HANDRIM	\$ 340.00
3		1	1021933	20" WHEEL MAG COMPLETE SOLID TIRE SS HANDRIM	\$ 340.00
			1021953	20" WHEEL MAG COMPLETE PNEUMATIC TIRE SS HANDRIM	\$ 340.00
			1021954	20" WHEEL MAG COMPLETE SOLID TIRE VINYL HANDRIM	\$ 340.00
			1021955	20" WHEEL MAG COMPLETE PNEUMATIC TIRE VINYL HANDRIM	\$ 340.00
4		1	1021934	18" X 1.75" REAR WHEEL MAG COMPLETE ASS'Y	\$ 320.00
5		1	1021935	16" X 1.75" REAR WHEEL MAG COMPLETE ASS'Y	\$ 300.00
6		1	1021936	12" X 2" REAR WHEEL MAG COMPLETE ASS'Y	\$ 130.00

### NOTES:

**12", 16", 18" WHEELS HAVE SOLID TIRE ONLY AND DO NOT COME WITH HANDRIM**

## REAR WHEEL SPOKE WHEEL COMPLETE



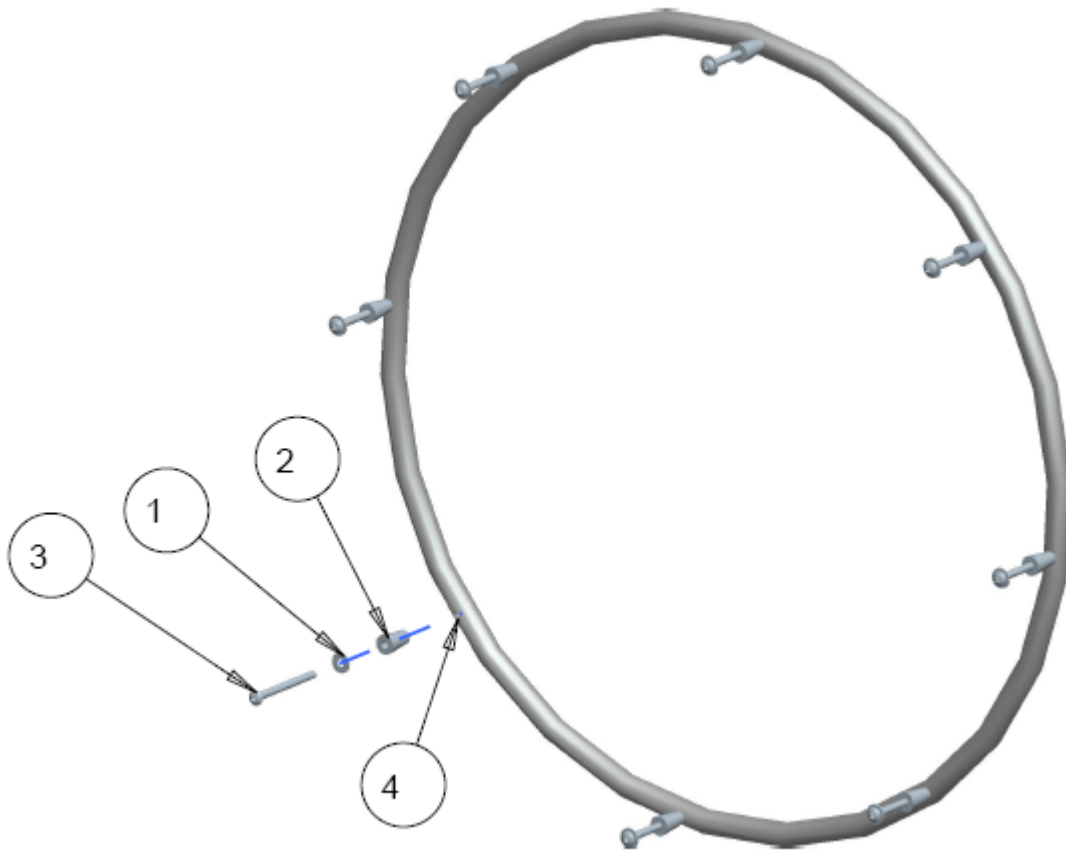
## REAR WHEEL SPOKE WHEEL COMPLETE - TABLE

ITEM	NOTES	QTY	PART NO.	DESCRIPTION	PRICE/ UNIT
1		1	1021956	24" WHEEL SPOKE COMPLETE SOLID TIRE SS HANDRIM	\$ 405.00
			1021957	24" WHEEL SPOKE COMPLETE PNEUMATIC TIRE SS HANDRIM	\$ 405.00
			1021958	24" WHEEL SPOKE COMPLETE SOLID TIRE VINYL HANDRIM	\$ 405.00
			1021959	24" WHEEL SPOKE COMPLETE PNEUMATIC TIRE VINYL HANDRIM	\$ 405.00
2		1	1021960	22" WHEEL SPOKE COMPLETE SOLID TIRE SS HANDRIM	\$ 405.00
			1021961	22" WHEEL SPOKE COMPLETE PNEUMATIC TIRE SS HANDRIM	\$ 405.00
			1021962	22" WHEEL SPOKE COMPLETE SOLID TIRE VINYL HANDRIM	\$ 405.00
			1021963	22" WHEEL SPOKE COMPLETE PNEUMATIC TIRE VINYL HANDRIM	\$ 405.00
3		1	1021964	20" WHEEL SPOKE COMPLETE SOLID TIRE SS HANDRIM	\$ 405.00
			1021965	20" WHEEL SPOKE COMPLETE PNEUMATIC TIRE SS HANDRIM	\$ 405.00
			1021966	20" WHEEL SPOKE COMPLETE SOLID TIRE VINYL HANDRIM	\$ 405.00
			1021967	20" WHEEL SPOKE COMPLETE PNEUMATIC TIRE VINYL HANDRIM	\$ 405.00

### NOTES:



# HANDRIMS

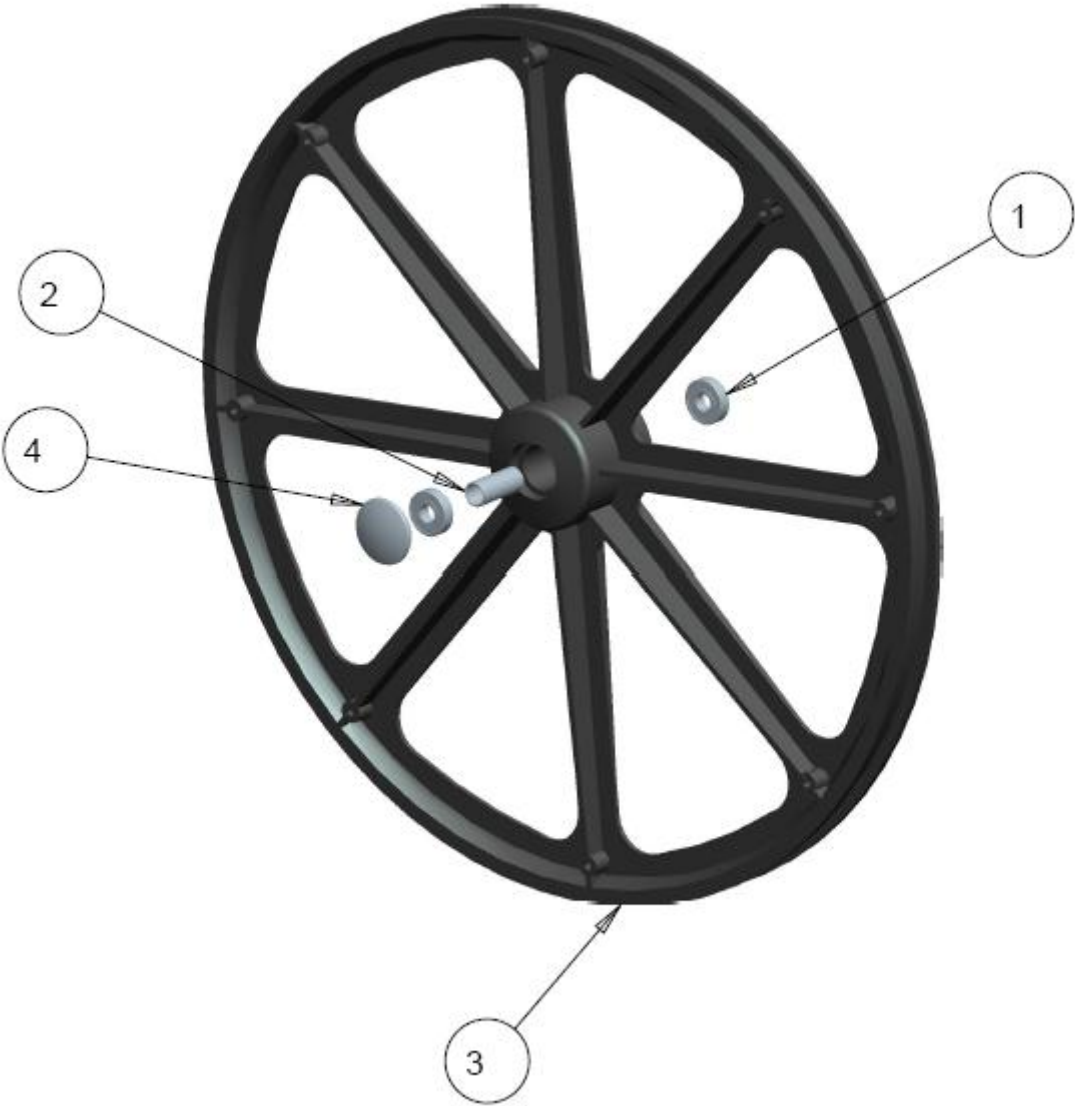


## HANDRIMS - TABLE

ITEM	NOTES	QTY	PART NO.	DESCRIPTION	PRICE/ UNIT
1		1	1000487	WASHER #10 .2ID X .5OD X .05	\$ 1.50
2		1	1006816	CONICAL SPACER BLACK #10	\$ 2.00
3		1	1017126	SCREW, PHILLIPS PAN HEAD, #10-32NF x 2.50	\$ 3.00
4		1	1004151	24" EIGHT SPOKE STAINLESS HANDRIM	\$ 80.00
		1	1004152	22" EIGHT SPOKE STAINLESS HANDRIM	\$ 80.00
		1	1004153	20" SIX SPOKE STAINLESS HANDRIM	\$ 80.00
		1	1004154	24" EIGHT SPOKE VINYL COATED HANDRIM	\$ 80.00
		1	1004155	22" EIGHT SPOKE VINYL COATED HANDRIM	\$ 80.00
		1	1004156	20" SIX SPOKE VINYL COATED HANDRIM	\$ 80.00
		1	1004145	KIT, 24" STAINLESS HANDRIM WITH HARDWARE	\$ 118.80
		1	1004146	KIT, 22" STAINLESS HANDRIM WITH HARDWARE	\$ 118.80
		1	1004147	KIT, 20" STAINLESS HANDRIM WITH HARDWARE	\$ 107.10
		1	1004148	KIT, 24" VINYL COATED HANDRIM WITH HARDWARE	\$ 118.80
		1	1004149	KIT, 22" VINYL COATED HANDRIM WITH HARDWARE	\$ 118.80
		1	1004150	KIT, 20" VINYL COATED HANDRIM WITH HARDWARE	\$ 107.10
		1	1004178	KIT, HANDRIM HARDWARE (ITEMS 1-3) 22-24"	\$ 46.80
		1	1006829	KIT, HANDRIM HARDWARE (ITEMS 1-3) 20"	\$ 35.10

### NOTES:

**COMPOSITE WHEEL ASSEMBLY**



## COMPOSITE WHEEL ASSEMBLY - TABLE

ITEM	NOTES	QTY	PART NO.	DESCRIPTION	PRICE/ UNIT
1		2	1003784	PRECISION BEARING, SINGLE ROW 0.437 ID	\$ 8.00
		2	1013407	PRECISION BEARING, SINGLE ROW 0.5 ID	\$ 10.00
2		1	1004157	SPACER .625 OD X 1.49 LG	\$ 3.00
3		1	1006804	24" X 1 3/8" COMPOSITE WHEEL	\$ 185.00
		1	1006805	22" X 1 3/8" COMPOSITE WHEEL	\$ 185.00
		1	1006807	20" X 1 3/8" COMPOSITE WHEEL	\$ 185.00
		1	1014320	18" X 1.75" COMPOSITE WHEEL	\$ 100.00
		1	1014326	16" X 1.75" COMPOSITE WHEEL	\$ 100.00
4		1	1006831	24"/20" REAR WHEEL HUBCAP	\$ 15.00
		1	1006832	22" REAR WHEEL HUBCAP	\$ 15.00
		1	<b>1006824</b>	<b>KIT, 24" COMPOSITE WHEEL W/ BEARINGS AND SPACER</b>	\$ 197.00
		1	<b>1006825</b>	<b>KIT, 22" COMPOSITE WHEEL W/ BEARINGS AND SPACER</b>	\$ 197.00
		1	<b>1006826</b>	<b>KIT, 20" COMPOSITE WHEEL W/ BEARINGS AND SPACER</b>	\$ 197.00
		1	<b>1014321</b>	<b>KIT, 18" COMPOSITE WHEEL W/ BEARINGS AND SPACER</b>	\$ 107.00
		1	<b>1014325</b>	<b>KIT, 16" COMPOSITE WHEEL W/ BEARINGS AND SPACER</b>	\$ 107.00

### NOTES:

## **TIRES/ INNER TUBES**

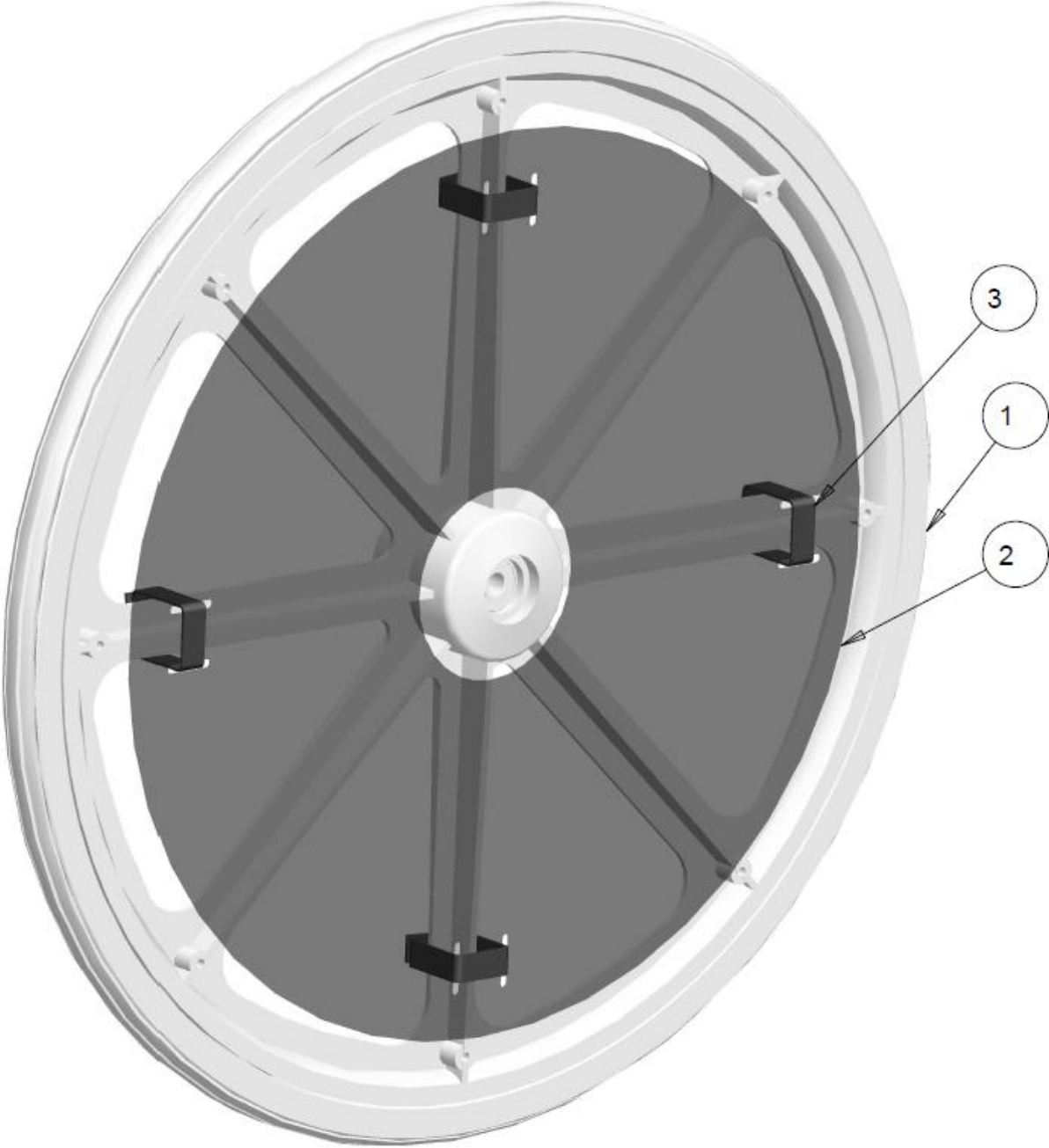


## TIRES/ INNER TUBES - TABLE

ITEM	NOTES	QTY	PART NO.	DESCRIPTION	PRICE/ UNIT
1		1	1006808	24" X 1 3/8" URETHANE TIRE HI PROFILE	\$ 78.00
		1	1006809	22" X 1 3/8" URETHANE TIRE HI PROFILE	\$ 70.00
		1	1006810	20" X 1 3/8" URETHANE TIRE HI PROFILE	\$ 70.00
		1	1014322	18" X 1.75" URETHANE TIRE HI PROFILE	\$ 35.00
		1	1014327	16" X 1.75" URETHANE TIRE HI PROFILE	\$ 35.00
		1	1021941	24" X 1 3/8" PNEUMATIC TIRE HI PROFILE	\$ 50.00
		1	1021942	22" X 1 3/8" PNEUMATIC TIRE HI PROFILE	\$ 50.00
		1	1021943	20" X 1 3/8" PNEUMATIC TIRE HI PROFILE	\$ 50.00
		1	1021944	24" PNEUMATIC TIRE INNER TUBE	\$ 40.00
		1	1021945	22" PNEUMATIC TIRE INNER TUBE	\$ 40.00
		1	1021946	20" PNEUMATIC TIRE INNER TUBE	\$ 40.00

### NOTES:

**SPOKE GUARDS**



## SPOKE GUARDS - TABLE

ITEM	QTY	NOTES	PART NO.	DESCRIPTION	PRICE/ UNIT
1	1		REF	GENERAL COMPOSITE REAR WHEEL- RIM	
2	1		1013949	SPOKE GUARD 24" COMPOSITE WHEEL	\$70.00
	1		1013950	SPOKE GUARD 22" COMPOSITE WHEEL	\$70.00
	1		1013951	SPOKE GUARD 20" COMPOSITE WHEEL	\$70.00
3	4		1026826	1" VELCRO STRAPS - SPOKE GUARDS	\$4.00
	1	A	<b>1026827</b>	<b>KIT, PAIR SPOKE GUARDS 24" COMPOSITE WHEEL</b>	<b>\$145.00</b>
	1	A	<b>1026828</b>	<b>KIT, PAIR SPOKE GUARDS 22" COMPOSITE WHEEL</b>	<b>\$145.00</b>
	1	B	<b>1026829</b>	<b>KIT, PAIR SPOKE GUARDS 20" COMPOSITE WHEEL</b>	<b>\$145.00</b>

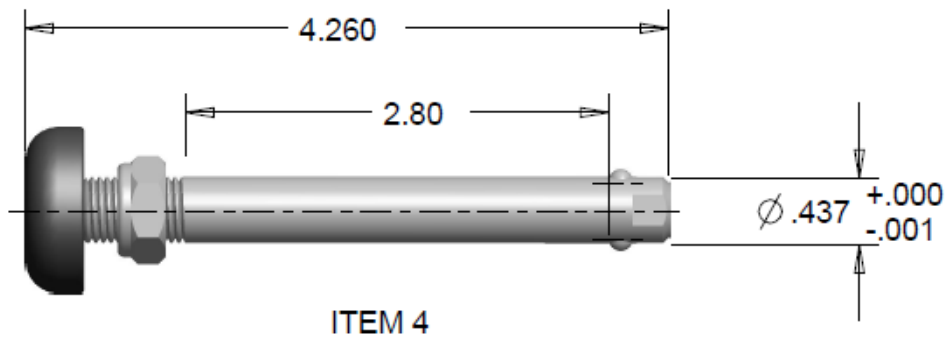
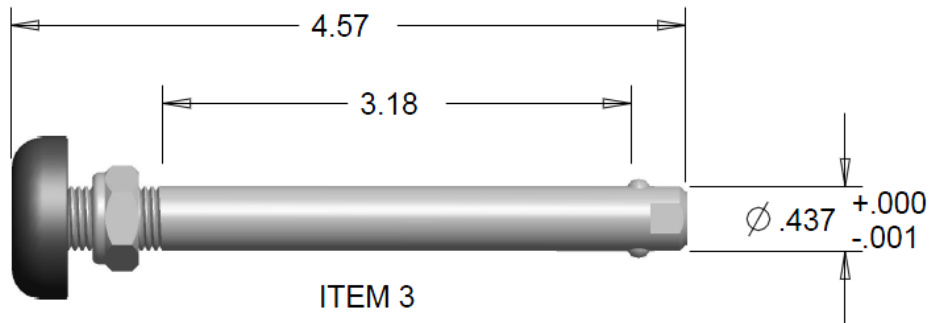
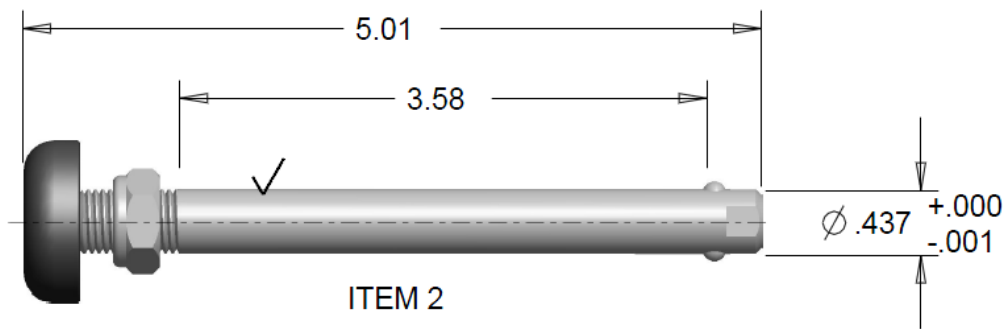
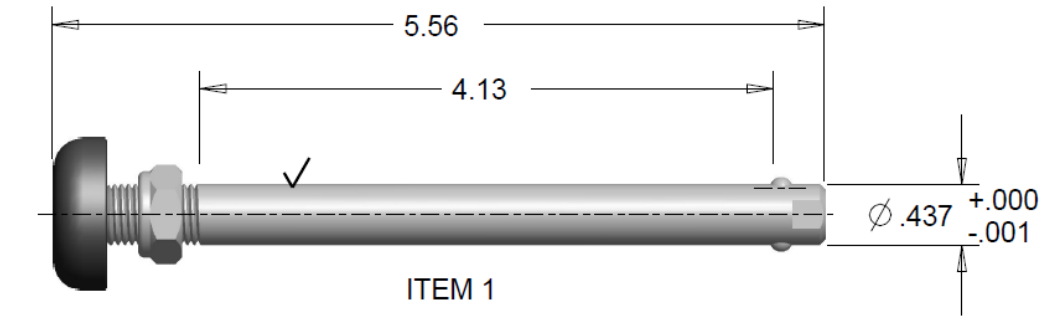
### NOTES:

- A. FOUR VELCRO STRAPS/ WHEEL INCLUDED**
- B. SIX VELCRO STRAPS/ WHEEL INCLUDED**



# QUICK RELEASE

## MUSHROOM QUICK RELEASE



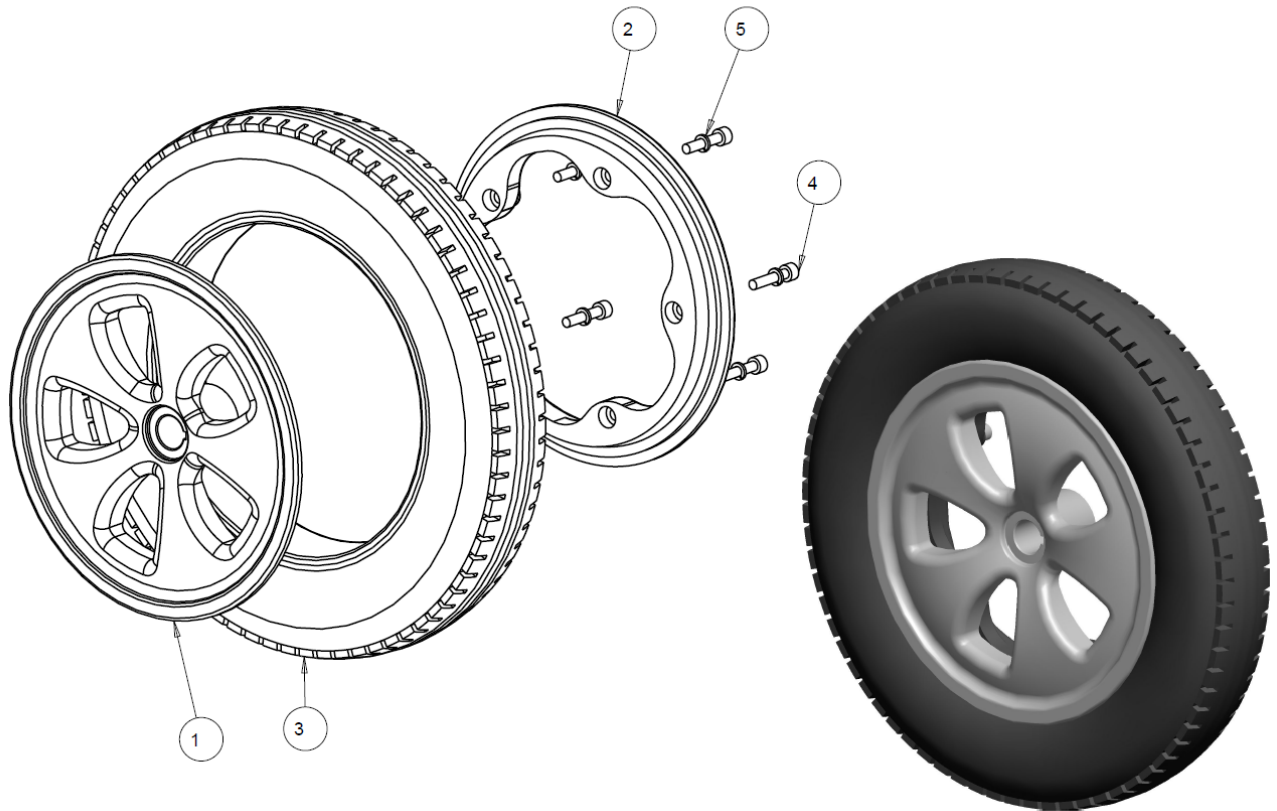
## MUSHROOM QUICK RELEASE – TABLE

ITEM	NOTES	QTY	PART NO.	DESCRIPTION	PRICE/ UNIT
1		1	1008937	MUSHROOM QUICK RELEASE AXEL 7/16 DIA X 4.125 LONG	\$95.00
2		1	1008938	MUSHROOM QUICK RELEASE AXEL 7/16 DIA X 3.58 LONG	\$95.00
3		1	1014231	MUSHROOM QUICK RELEASE AXEL 7/16 DIA X 3.20 LONG	\$95.00
4		1	1013634	MUSHROOM QUICK RELEASE AXEL 7/16 DIA X 2.80 LONG	\$95.00

### NOTES:

## POWER WHEELS

### POWER CHAIR DRIVE WHEEL 12.625 DIA



**POWER CHAIR DRIVE WHEEL 12.625 DIA – TABLE**

ITEM	NOTES	QTY	PART NO.	DESCRIPTION	PRICE/ UNIT
1		1	15001268	OUTER HUB 12.625 DIA WHEEL (MACHINED)	\$98.00
2		1	15001269	INNER HUB 12.625 DIA WHEEL	\$87.00
3		1	15001270	SOLID TIRE 12.625 DIA X 2.5" WIDE	\$95.00
		1	1015373	PNEUMATIC TIRE 12.625 X 2.5" WIDE	\$95.00
4		5	15001271	M6 X 30 MM SCREW	\$3.00
5		5	15001272	M6 LOCK WASHER	\$1.50
	A	1	1015374	INNER TUBE	\$40.00
		1	15001273	<b>KIT, SOLID DRIVE WHEEL 12.625 DIA WITH HUB</b>	<b>\$265.00</b>
		1	1015372	<b>KIT, PNEUMATIC DRIVE WHEEL 12.625 DIA WITH HUB</b>	<b>\$295.00</b>

**NOTES: A- INNER TUBE NOT SHOWN**