



**FUTURE**

---

MOBILITY HEALTHCARE INC.

**SEATPANS**

**PARTS MANUAL**

FUTURE MOBILITY HEALTHCARE APPRECIATES YOUR BUSINESS.  
OUR CUSTOMER SERVICE REPRESENTATIVES CAN BE CONTACTED AT:

**TO PLACE ORDERS:  
(905) 671-1661**

FOR YOUR CONVENIENCE YOU MAY ALSO PLACE ORDERS BY FAX AT:

**FAX: (905) 671-3377**

PLEASE VISIT OUR WEBSITE AT:

**[www.futuremobility.ca](http://www.futuremobility.ca)**

\*Part prices and configurations included in this Parts Manual are subject to change without prior notice.

\* All prices are shown as per unit individual price.

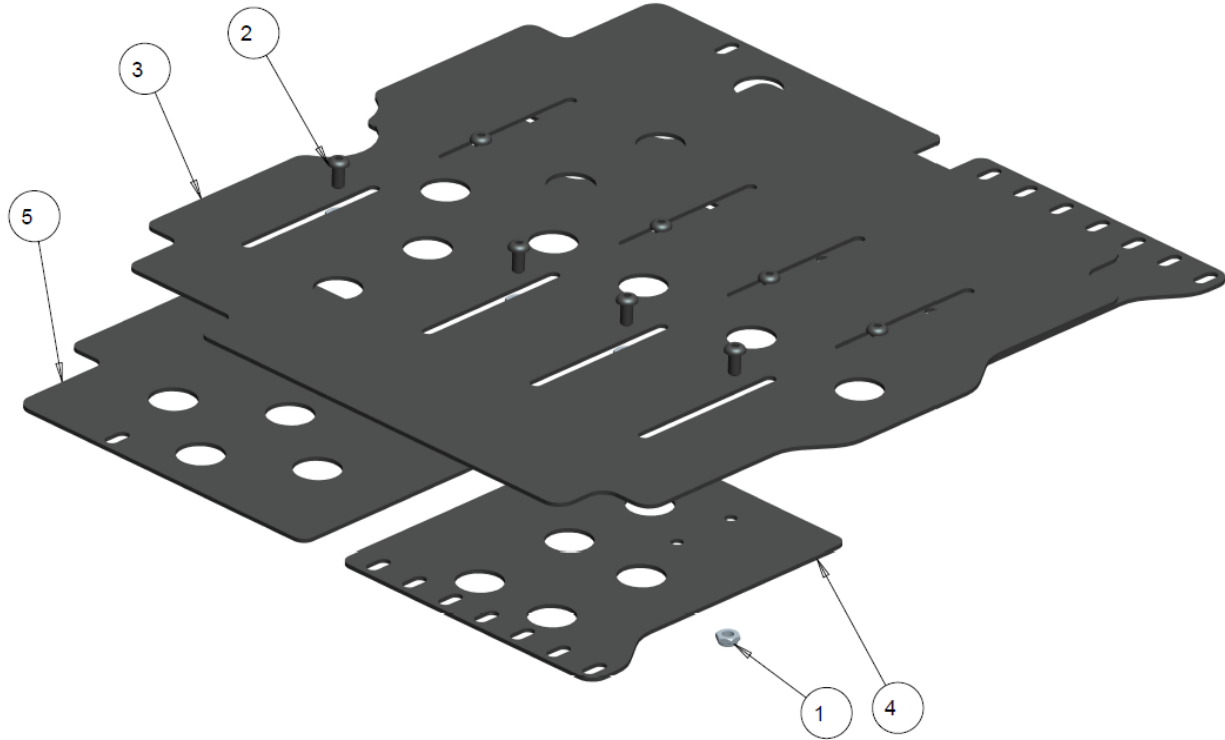
**Contents**

**SEATPANS** ..... **5**  
ADJUSTABLE SEATPANS ..... 5  
FIXED SEATPANS ..... 7



# SEATPANS

## ADJUSTABLE SEATPANS



FRONT SLIDE PLATE	
PART #	DESCRIPTION
1016993	UNIVERSAL FRONT SLIDE PLATE

MAIN SEAT BASE	
PART #	DESCRIPTION
1016986	SEAT BASE 16-20 NARROW 15-16 DEEP
1016987	SEAT BASE 16-20 NARROW 17-18 DEEP
1016988	SEAT BASE 16-20 NARROW 19-20 DEEP
1016989	SEAT BASE 20-24 WIDE 15-16 DEEP
1016990	SEAT BASE 20-24 WIDE 17-18 DEEP
1016991	SEAT BASE 20-24 WIDE 19-20 DEEP

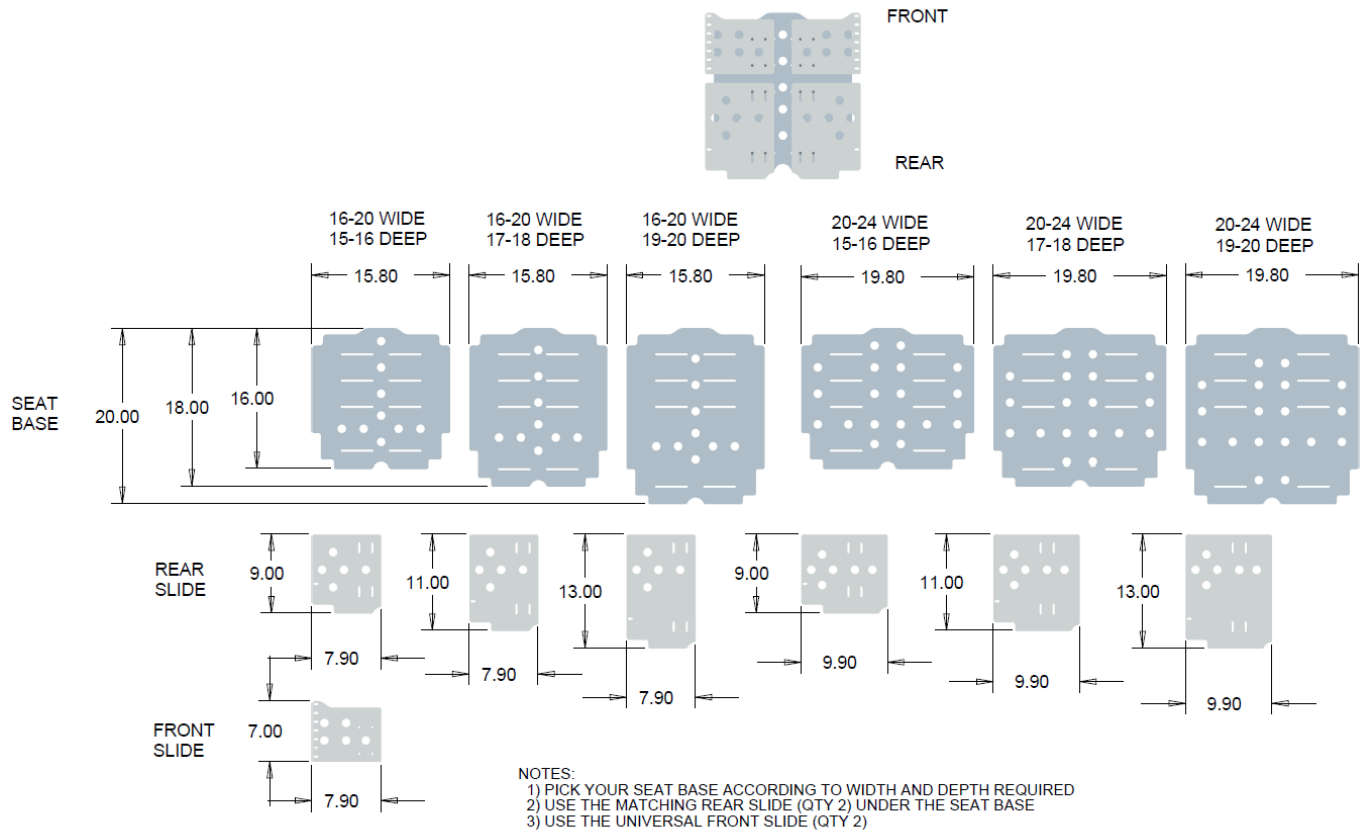
REAR SLIDE PLATE	
PART #	DESCRIPTION
1016996	REAR PLATE 16-20 NARROW 15-16 DEEP
1016998	REAR PLATE 16-20 NARROW 17-18 DEEP
1017000	REAR PLATE 16-20 NARROW 19-20 DEEP
1016997	REAR PLATE 20-24 WIDE 15-16 DEEP
1016999	REAR PLATE 20-24 WIDE 17-18 DEEP
1017001	REAR PLATE 20-24 WIDE 19-20 DEEP

## ADJUSTABLE SEATPANS TABLE

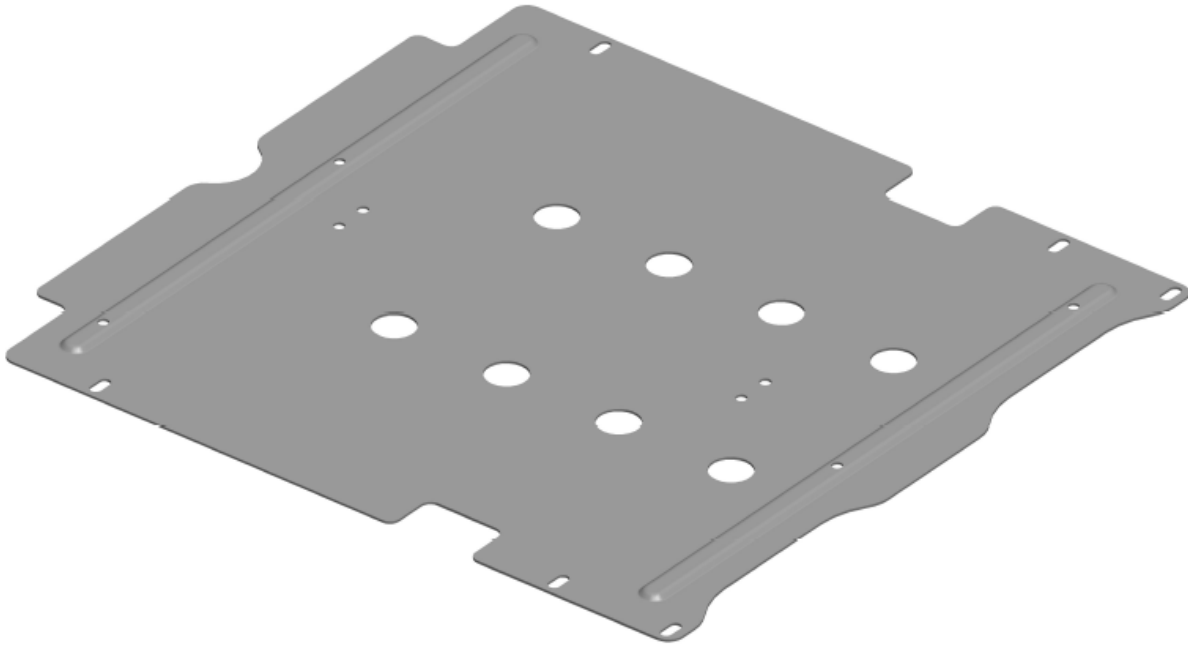
ITEM	NOTES	QTY	PART NO.	DESCRIPTION	PRICE/ UNIT
1		8	1000397	NUT, HEX-NYLOCK THIN, 1/4-20NC	\$2.00
2		8	1000411	SCREW,SOC BUTTON HEAD 1/4-20 X 0.500	\$3.00
3		1	REF	MAIN SEAT BASE PLATE	\$100.00
4		2	REF	FRONT SLIDE PLATE	\$65.00
5		2	REF	REAR SLIDE PLATE	\$75.00
	A	1	1018973	KIT, ADJUSTABLE SEATPAN (16-20" WIDE X 15-16" DEEP)	\$370.00
	A	1	1018974	KIT, ADJUSTABLE SEATPAN (16-20" WIDE X 17-18" DEEP)	\$370.00
	A	1	1018975	KIT, ADJUSTABLE SEATPAN (16-20" WIDE X 19-20" DEEP)	\$370.00
	A	1	1018976	KIT, ADJUSTABLE SEATPAN (20-24" WIDE X 15-16" DEEP)	\$370.00
	A	1	1018977	KIT, ADJUSTABLE SEATPAN (20-24" WIDE X 17-18" DEEP)	\$370.00
	A	1	1018978	KIT, ADJUSTABLE SEATPAN (20-24" WIDE X 19-20" DEEP)	\$370.00

### NOTES:

**A - KIT INCLUDES ALL HARDWARE AND VELCRO**



## FIXED SEATPANS



## FIXED SEATPANS TABLE

PART NO.	DESCRIPTION	PRICE/ UNIT	PART NO.	DESCRIPTION	PRICE/ UNIT
1000520	SEATPAN 15X15	\$280.00	1000530	SEATPAN 20X15	\$280.00
1000521	SEATPAN 15X16	\$280.00	1000531	SEATPAN 20X16	\$280.00
1000522	SEATPAN 15X17	\$280.00	1000532	SEATPAN 20X17	\$280.00
1000523	SEATPAN 15X18	\$280.00	1000533	SEATPAN 20X18	\$280.00
1000524	SEATPAN 15X19	\$280.00	1000534	SEATPAN 20X19	\$280.00
1001333	SEATPAN 15X20	\$280.00	1001338	SEATPAN 20X20	\$280.00
			1005256	SEATPAN 20X21	\$280.00
1000515	SEATPAN 16X15	\$280.00	1005807	SEATPAN 20X22	\$280.00
1000516	SEATPAN 16X16	\$280.00	1018115	SEATPAN 20X23	\$280.00
1000517	SEATPAN 16X17	\$280.00	1002686	SEATPAN 20X24	\$280.00
1000518	SEATPAN 16X18	\$280.00			
1000519	SEATPAN 16X19	\$280.00	1001321	SEATPAN 21X15	\$280.00
1001334	SEATPAN 16X20	\$280.00	1001322	SEATPAN 21X16	\$280.00
1006902	SEATPAN 16X21	\$280.00	1001323	SEATPAN 21X17	\$280.00
1008229	SEATPAN 16X22	\$280.00	1001324	SEATPAN 21X18	\$280.00
1015532	SEATPAN 16X23	\$280.00	1001325	SEATPAN 21X19	\$280.00
			1001326	SEATPAN 21X20	\$280.00
1000510	SEATPAN 17X15	\$280.00	1013789	SEATPAN 21X21	\$280.00
1000511	SEATPAN 17X16	\$280.00			
1000512	SEATPAN 17X17	\$280.00	1001327	SEATPAN 22X15	\$280.00
1000513	SEATPAN 17X18	\$280.00	1001328	SEATPAN 22X16	\$280.00
1000514	SEATPAN 17X19	\$280.00	1001329	SEATPAN 22X17	\$280.00
1001335	SEATPAN 17X20	\$280.00	1001330	SEATPAN 22X18	\$280.00
1013787	SEATPAN 17X22	\$280.00	1001331	SEATPAN 22X19	\$280.00
			1001332	SEATPAN 22X20	\$280.00
1000138	SEATPAN 18X15	\$280.00	1016736	SEATPAN 22X21	\$280.00
1000139	SEATPAN 18X16	\$280.00	1004104	SEATPAN 22X22	\$280.00
1000140	SEATPAN 18X17	\$280.00			
1000141	SEATPAN 18X18	\$280.00	1013862	SEATPAN 23X16	\$280.00
1000142	SEATPAN 18X19	\$280.00	1004997	SEATPAN 23X18	\$280.00
1001336	SEATPAN 18X20	\$280.00	1018842	SEATPAN 23X20	\$280.00
1005292	SEATPAN 18X21	\$280.00			
1004312	SEATPAN 18X22	\$280.00	1005802	SEATPAN 24X16	\$280.00
1006923	SEATPAN 18X23	\$280.00	1004471	SEATPAN 24X18	\$280.00
			1004953	SEATPAN 24X19	\$280.00
1000525	SEATPAN 19X15	\$280.00	1004391	SEATPAN 24X20	\$280.00
1000526	SEATPAN 19X16	\$280.00	1005823	SEATPAN 24X22	\$280.00
1000527	SEATPAN 19X17	\$280.00	1005101	SEATPAN 24X24	\$280.00
1000528	SEATPAN 19X18	\$280.00			
1000529	SEATPAN 19X19	\$280.00			
1001337	SEATPAN 19X20	\$280.00			
1006921	SEATPAN 19X21	\$280.00			

**NOTES: ALL SEATPANS COME WITH VELCRO ATTACHED (NOT SHOWN)**