



FUTURE

MOBILITY HEALTHCARE INC.

**ADJUSTABLE
DROP BASE**

PARTS MANUAL

FUTURE MOBILITY HEALTHCARE APPRECIATES YOUR BUSINESS.
OUR CUSTOMER SERVICE REPRESENTATIVES CAN BE CONTACTED AT:

**TO PLACE ORDERS:
(905) 671-1661**

FOR YOUR CONVENIENCE YOU MAY ALSO PLACE ORDERS BY FAX AT:

FAX: (905) 671-3377

PLEASE VISIT OUR WEBSITE AT:

www.futuremobility.ca

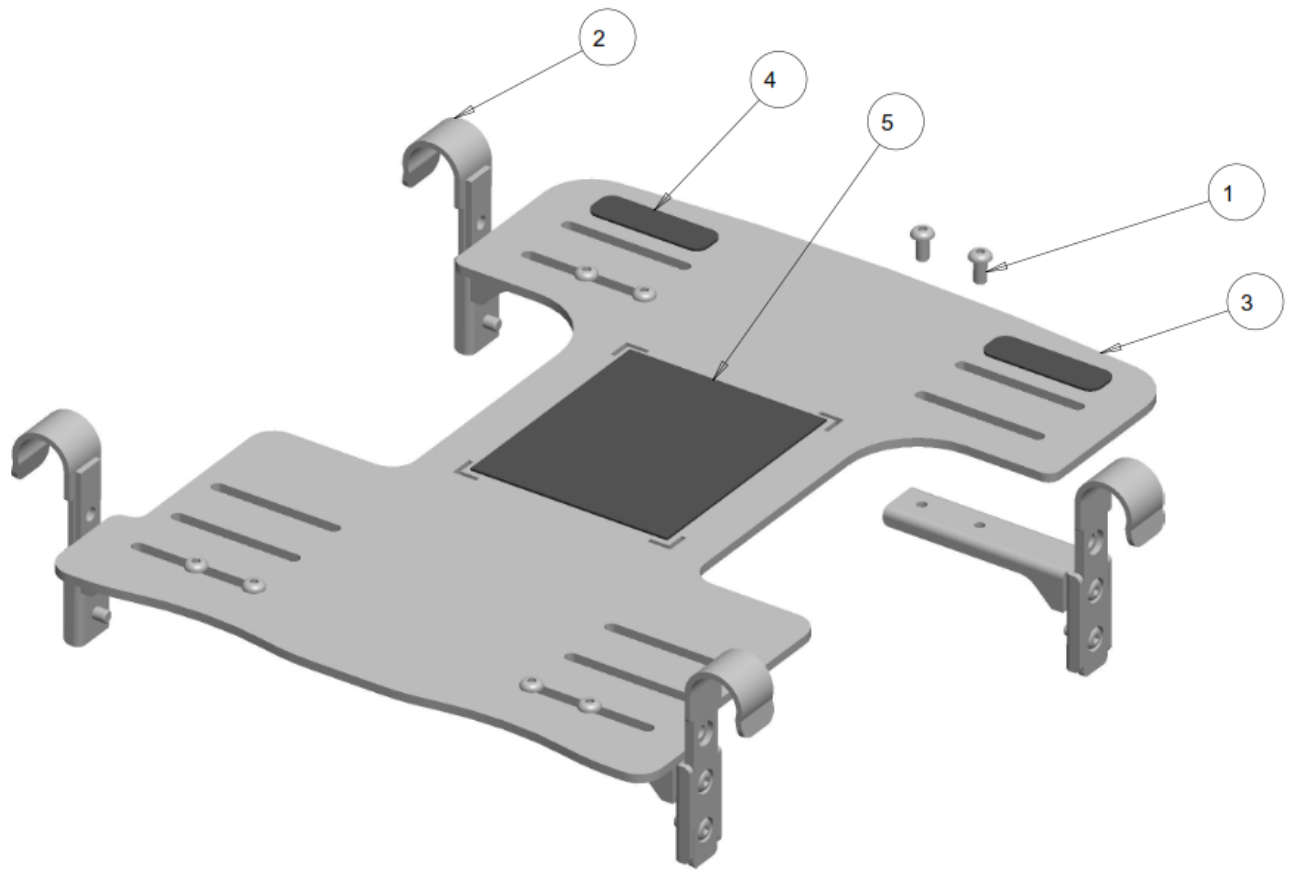
*Part prices and configurations included in this Parts Manual are subject to change without prior notice.

* All prices are shown as per unit individual price.

Contents

ADJUSTABLE DROP BASE..... 5
ADJUSTABLE DROP BASE MAIN..... 5
ADJUSTABLE MOUNT HOOK..... 7

ADJUSTABLE DROP BASE
ADJUSTABLE DROP BASE MAIN



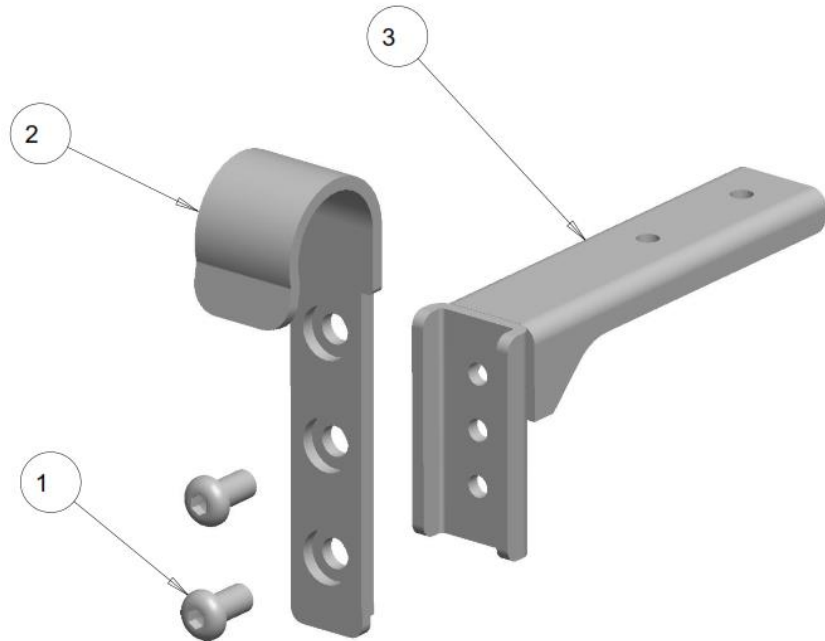
ADJUSTABLE DROP BASE - TABLE

ITEM	QTY	NOTES	PART NO.	DESCRIPTION	PRICE/ PER UNIT
1	8		1000411	SCREW, SOC BUTTON HEAD 1/4-20 X 0.500	\$3.00
2	4		1012505	ADJUSTABLE MOUNT HOOK ASSY	\$60.00
3	1		1012528	ALUMINUM DROP BASE GENERAL	\$130.00
4	2		1012569	STANDARD WIDTH LABEL	REF
5	1		1012571	4.25 X 5 VELCRO STICK PATCH	\$15.00
	1	A	1034276	KIT, BASE 14,15,16 WIDTH BY 16 DEPTH	\$375.00
	1	A	1034277	KIT, BASE 14,15,16 WIDTH BY 18 DEPTH	\$375.00
	1	A	1034279	KIT, BASE 16,17,18 WIDTH BY 15 DEPTH	\$325.00
	1	A	1034280	KIT, BASE 16,17,18 WIDTH BY 16 DEPTH	\$325.00
	1	A	1034281	KIT, BASE 16,17,18 WIDTH BY 17 DEPTH	\$325.00
	1	A	1034282	KIT, BASE 16,17,18 WIDTH BY 18 DEPTH	\$325.00
	1	A	1034283	KIT, BASE 16,17,18 WIDTH BY 19 DEPTH	\$325.00
	1	A	1034284	KIT, BASE 16,17,18 WIDTH BY 20 DEPTH	\$325.00
	1	A	1034286	KIT, BASE 19,20,21 WIDTH BY 16 DEPTH	\$375.00
	1	A	1034287	KIT, BASE 19,20,21 WIDTH BY 17 DEPTH	\$375.00
	1	A	1034288	KIT, BASE 19,20,21 WIDTH BY 18 DEPTH	\$375.00
	1	A	1034289	KIT, BASE 19,20,21 WIDTH BY 19 DEPTH	\$375.00
	1	A	1034290	KIT, BASE 19,20,21 WIDTH BY 20 DEPTH	\$375.00
	1	A	1034292	KIT, BASE 22,23,24 WIDTH BY 17 DEPTH	\$375.00
	1	A	1034293	KIT, BASE 22,23,24 WIDTH BY 18 DEPTH	\$375.00
	1	A	1034294	KIT, BASE 22,23,24 WIDTH BY 20 DEPTH	\$375.00

NOTES:

A – KIT COMES COMPLETE WITH BASE AND 4 HOOKS

ADJUSTABLE MOUNT HOOK



ADJUSTABLE MOUNT HOOK – TABLE

ITEM	QTY	NOTES	PART NO.	DESCRIPTION	PRICE/ PER UNIT
1	2		1000411	SCREW, SOC BUTTON HEAD 1/4-20 X 0.500	\$3.00
2	1		1012499	ADJ. MOUNT HOOK OUTER WELDMENT	\$35.00
3	1		1012502	ADJUSTABLE HOOK BRACKET WELDMENT	\$35.00