



FUTURE

MOBILITY HEALTHCARE INC.

ARMREST

PARTS MANUAL

FUTURE MOBILITY HEALTHCARE APPRECIATES YOUR BUSINESS.
OUR CUSTOMER SERVICE REPRESENTATIVES CAN BE CONTACTED AT:

**TO PLACE ORDERS:
(905) 671-1661**

FOR YOUR CONVENIENCE YOU MAY ALSO PLACE ORDERS BY FAX AT:

FAX: (905) 671-3377

PLEASE VISIT OUR WEBSITE AT:

www.futuremobility.ca

*Part prices and configurations included in this Parts Manual are subject to change without prior notice.

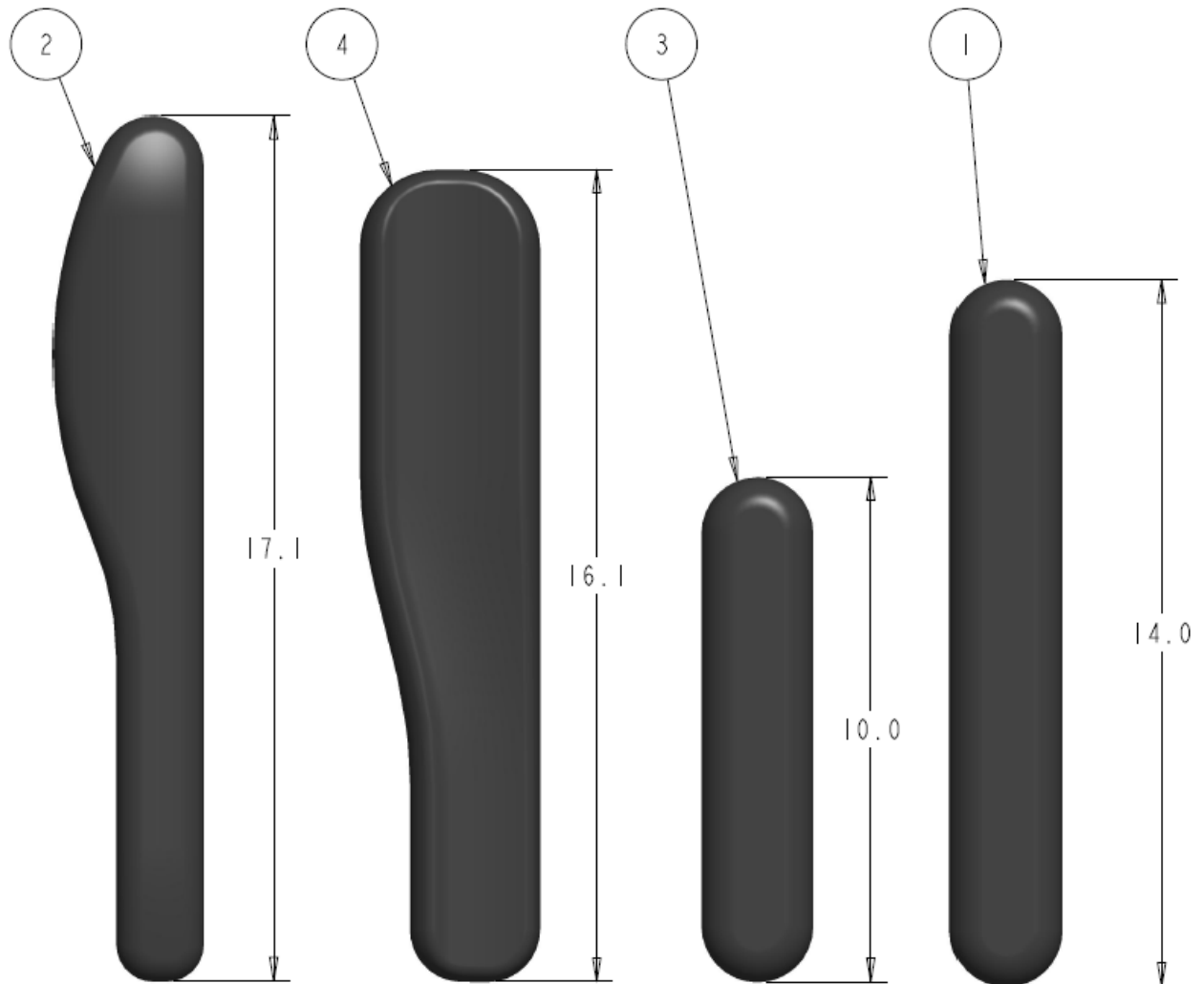
* All prices are shown as per unit individual price.

Contents

ARMREST ARMPADS.....	5
ALL ARMPADS	5
ARMREST ARMTOPS.....	7
ARMREST ARMTOP VINYL DESK LENGTH	7
ARMREST ARMTOP VINYL FULL LENGTH	9
ARMREST ARMTOP GEL CURVED FULL LENGTH	11
T-STYLE ARM UNDER LEVER RELEASE.....	13
MID ARMREST T-STYLE – UNDER LEVER	13
MID ARMREST FLIP-BACK T-STYLE – UNDER LEVER	15
BASIC ARM BASE 3-HOLE ASSY – UNDER LEVER.....	17
T-STYLE ARM PUSH LEVER RELEASE.....	19
ARMREST T-STYLE ARM – PUSH RELEASE LEVER.....	19
MID ARMREST T-STYLE – PUSH RELEASE LEVER	21
BASIC ARM-BASE 3-HOLE MOUNT WITH STRAP.....	23
ARMREST T-STYLE FLIP-BACK ARM – PUSH RELEASE LEVER.....	25
MID ARMREST T-STYLE FLIP-BACK – PUSH RELEASE LEVER.....	27

ARMREST ARMPADS

ALL ARMPADS



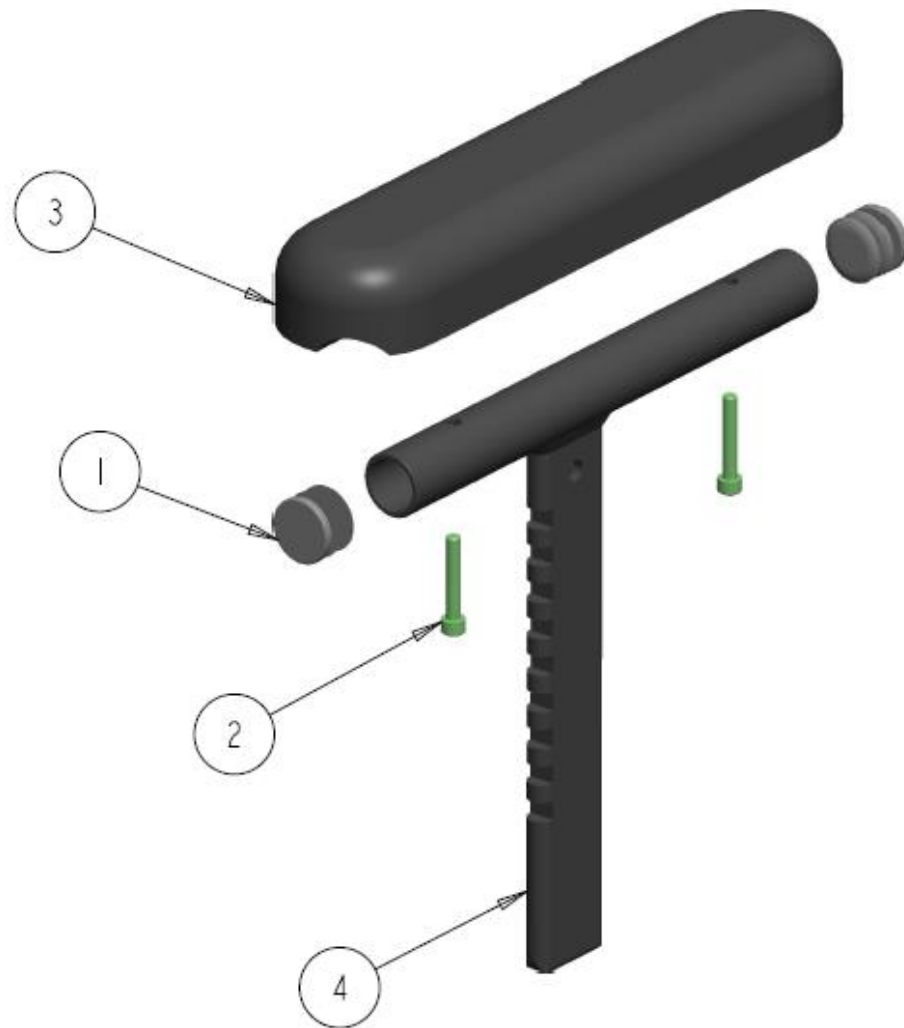
ALL ARMPADS-TABLE

ITEM	QTY	NOTES	PART NO.	DESCRIPTION	PRICE/ PER UNIT
1	1		1004179	ARMPAD FULL LENGTH VINYL	\$35.00
2	1		1002539	ARMPAD WITH INSERT LT	\$75.00
	1		1002538	ARMPAD WITH INSERT RT	\$75.00
3	1		1005002	DESK LENGTH VINYL ARMPAD	\$30.00
4	1		1012663	WIDE GEL ARMPAD OVERMOLD LT	\$100.00
	1		1012656	WIDE GEL ARMPAD OVERMOLD RT	\$100.00

NOTES:

ARMREST ARMTOPS

ARMREST ARMTOP VINYL DESK LENGTH

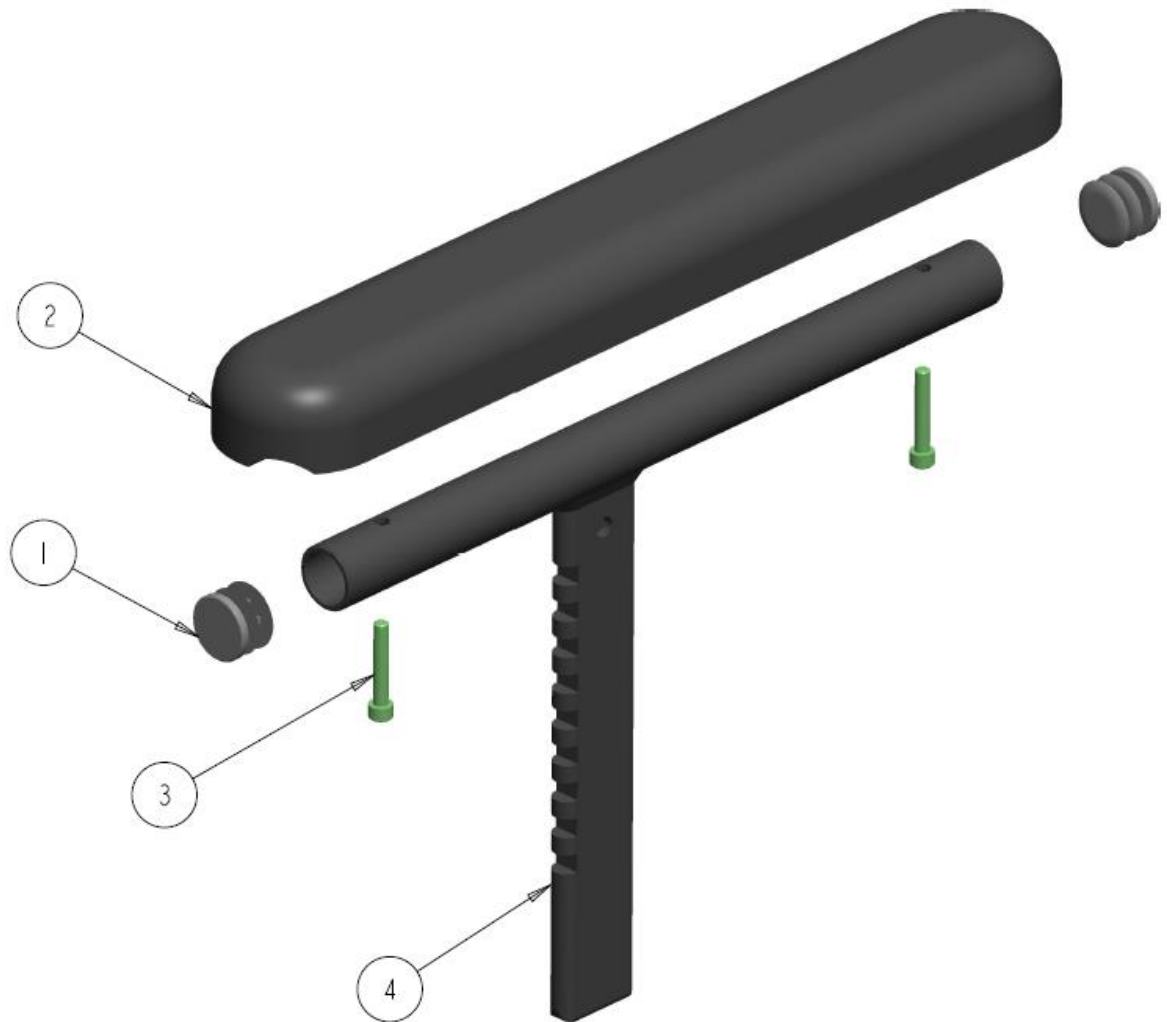


ARMREST ARMTOP VINYL DESK LENGTH - TABLE

ITEM	QTY	NOTES	PART NO.	DESCRIPTION	PRICE/ PER UNIT
1	2		1000421	PLUG, UNIVERSAL BLACK 0.875 ROUND	\$2.50
2	2		1003348	SCREW, SOCKET HEAD CAP, 10-32NF X 1 1/8	\$3.00
3	1		1005002	DESK LENGTH VINYL ARMPAD	\$30.00
4	1		1032070	ARM-REST TOP, DESK LENGTH	\$115.00
	1		1040413	ARM-REST TOP, DESK LENGTH (KIDS)	\$112.00
	1		1037053	KIT, COMPLETE ARMREST TOP DESK LENGTH VINYL, RT	\$140.00
	1		1037054	KIT, COMPLETE ARMREST TOP DESK LENGTH VINYL, LT	\$140.00
	1		1040409	KIT, COMPLETE ARMREST TOP DESK LENGTH VINYL, RT (KIDS)	\$135.00
	1		1040410	KIT, COMPLETE ARMREST TOP DESK LENGTH VINYL, LT (KIDS)	\$135.00

NOTES:

ARMREST ARMTOP VINYL FULL LENGTH

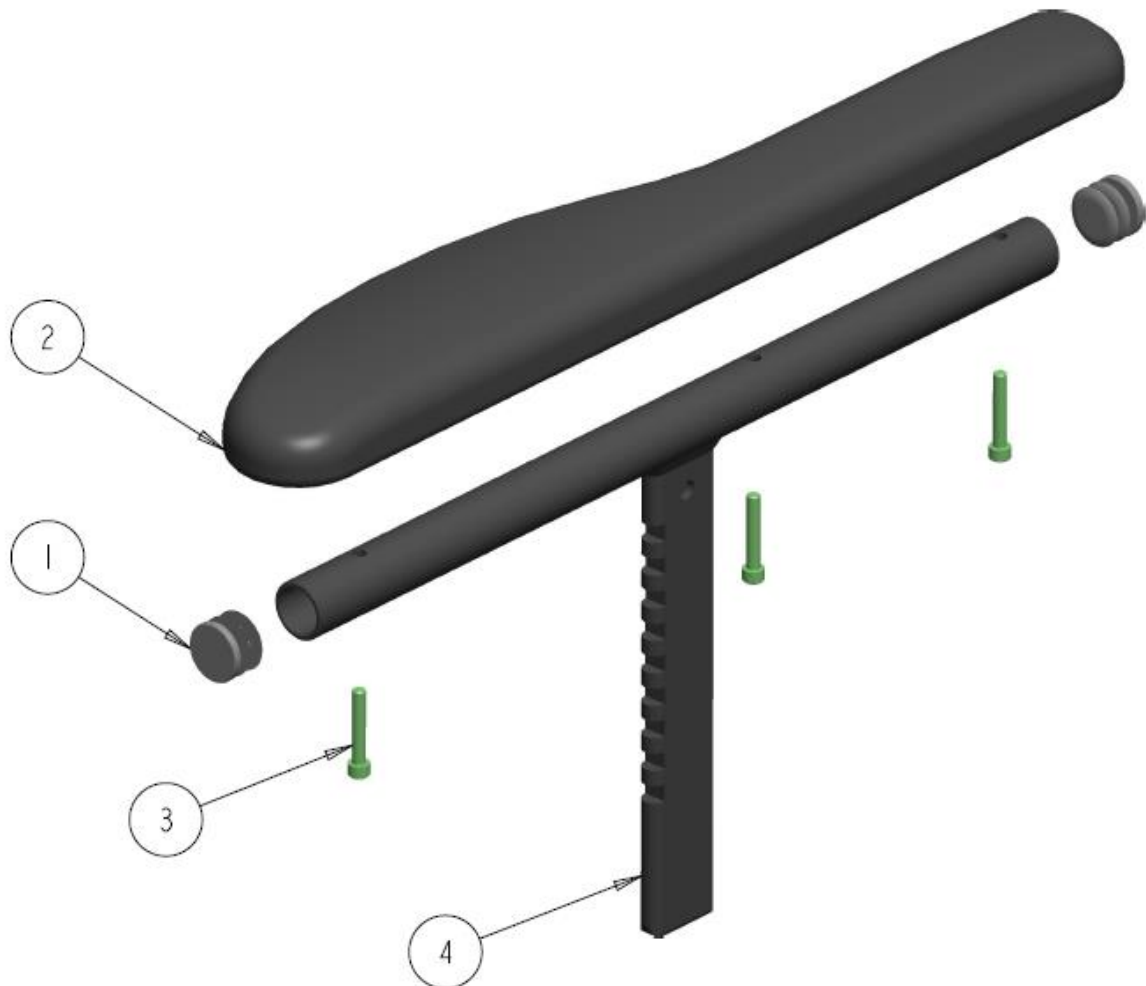


ARMREST ARMTOP VINYL FULL LENGTH - TABLE

ITEM	QTY	NOTES	PART NO.	DESCRIPTION	PRICE/ PER UNIT
1	2		1000421	PLUG, UNIVERSAL BLACK 0.875 ROUND	\$2.50
2	1		1004179	FULL LENGTH VINYL ARMPAD	\$35.00
3	2		1003348	SCREW, SOCKET HEAD CAP, 10-32NF X 1 1/8	\$3.00
4	1		1032072	ARM-REST TOP, FULL LENGTH	\$130.00
	1		1040414	ARM-REST TOP, FULL LENGTH (KIDS)	\$125.00
	1		1037057	KIT, COMPLETE ARMREST TOP FULL LENGTH VINYL, RT	\$155.00
	1		1037058	KIT, COMPLETE ARMREST TOP FULL LENGTH VINYL, LT	\$155.00
	1		1040411	KIT, COMPLETE ARMREST TOP FULL LENGTH VINYL, RT (KIDS)	\$150.00
	1		1040412	KIT, COMPLETE ARMREST TOP FULL LENGTH VINYL, LT (KIDS)	\$150.00

NOTES:

ARMREST ARMTOP GEL CURVED FULL LENGTH

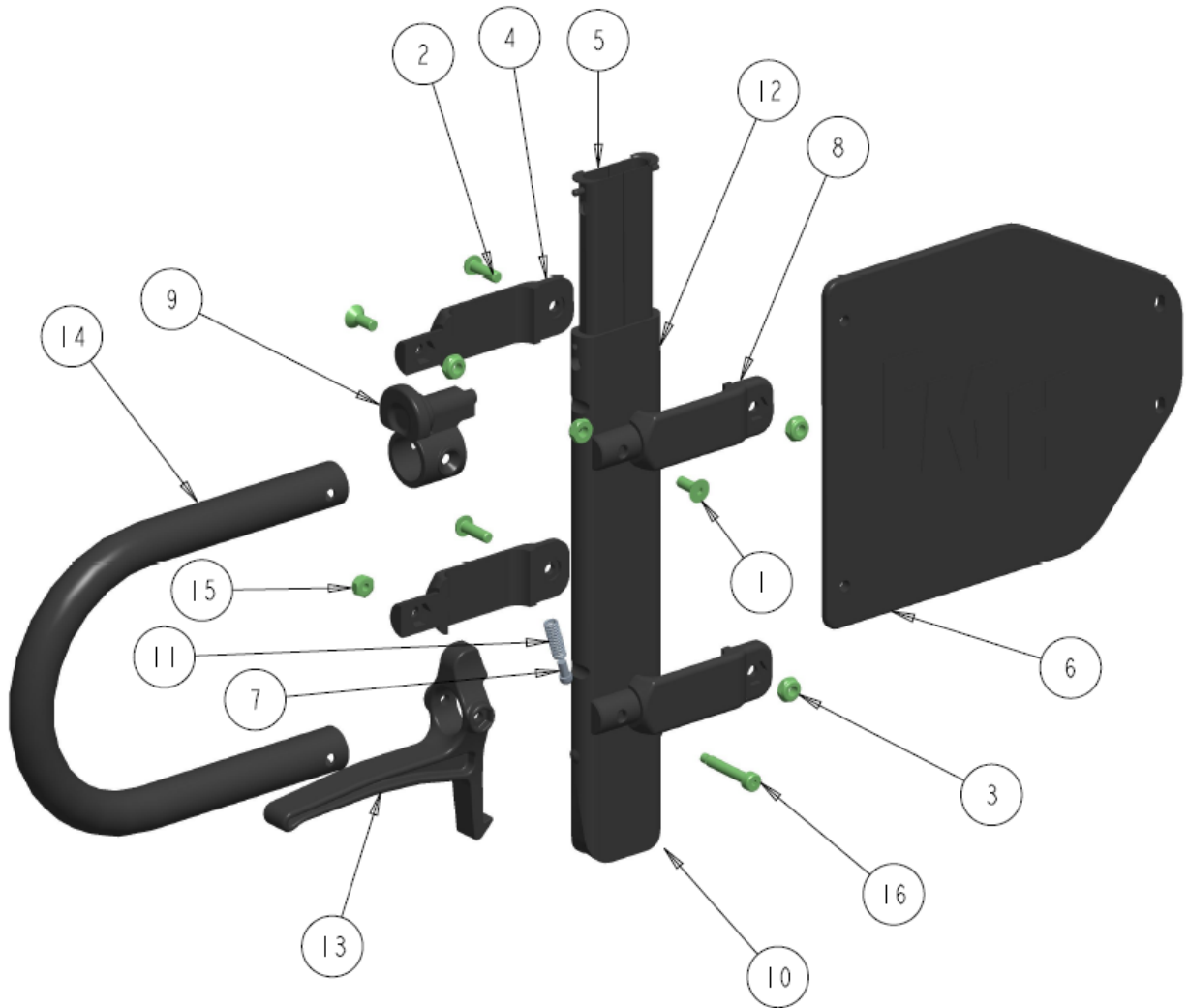


ARMREST ARMTOP GEL CURVED FULL LENGTH - TABLE

ITEM	QTY	NOTES	PART NO.	DESCRIPTION	PRICE/ PER UNIT
1	2		1000421	PLUG, UNIVERSAL BLACK 0.875 ROUND	\$2.50
2	1		1002538	ARMPAD WITH INSERT FOAM GEL RT	\$75.00
	1		1002539	ARMPAD WITH INSERT FOAM GEL LT	\$75.00
3	3		1003348	SCREW, SOCKET HEAD CAP, 10-32NF X 1 1/8	\$3.00
4	1		1032072	ARM-REST TOP, FULL LENGTH	\$130.00
	1		1040414	ARM-REST TOP, FULL LENGTH (KIDS)	\$125.00
	1		1037055	KIT, COMPLETE ARMREST TOP CURVED LENGTH ASSY, RT	\$195.00
	1		1037056	KIT, COMPLETE ARMREST TOP CURVED LENGTH ASSY, LT	\$195.00
	1		1040787	KIT, COMPLETE ARMREST TOP CURVED LENGTH ASSY, RT (KIDS)	\$190.00
	1		1040788	KIT, COMPLETE ARMREST TOP CURVED LENGTH ASSY, LT (KIDS)	\$190.00

NOTES:

T-STYLE ARM UNDER LEVER RELEASE
MID ARMREST T-STYLE – UNDER LEVER

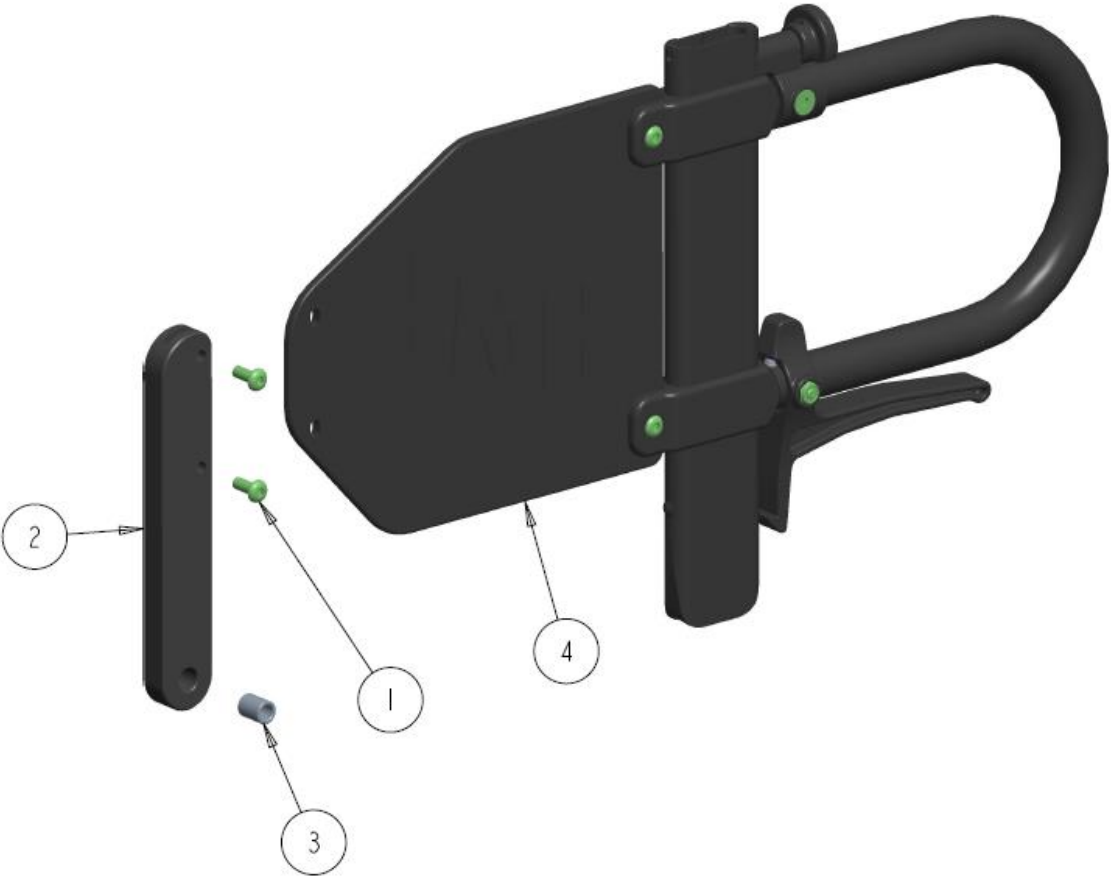


MID ARMREST T-STYLE – UNDER LEVER - TABLE

ITEM	QTY	NOTES	PART NO.	DESCRIPTION	PRICE/ PER UNIT
1	2		1010523	SCREW, FLAT HEAD SOCKET #10/32NF X 1/2	\$3.00
2	2		1000193	SCREW, SOCKET HEAD BUTTON, #10-32NF X 5/8	\$4.00
3	4		1000410	NUT, HEX-NYLOCK THIN, #10-32NF, BLK	\$2.00
4	2		1010503	ARM-REST MID, SPLIT TUBE CLAMP RT	\$12.00
5	2		1010504	ARM-REST MID, GLIDE INSERT	\$10.00
6	1		1010509	ARM-REST MID, ARM GUARD ADULT	\$24.00
7	1		1010511	ARM-REST MID, ARM RELEASE LEVER PIN	\$7.00
8	2		1010513	ARM-REST MID, SPLIT TUBE CLAMP LT	\$12.00
9	1		1010514	ARM-REST MID, PIN LOCK ASS'Y	\$30.00
10	1		1010516	ARM-REST BASE	\$24.00
11	1		1010904	SPRING, COMP .240 OD X .690 LG .035 WIRE	\$3.00
12	1		1034413	ARM-REST MID, MAIN TUBE (ADULT) - RIV	\$38.00
13	1		1034695	UNDER LEVER TRIGGER - ARMREST	\$45.00
14	1		1034697	ADULT T-ATM TRANSFER TUBE	\$35.00
15	1		1034698	NUT, HEX-NYLOCK THIN, #8-32NC	\$2.00
16	1		1034699	SCREW, SOCKET SHOULDER DIA.187 X 1.00	\$5.00
	1		1037021	KIT, ARM REST MID T-STYLE UNDER LEVER	\$275.00

NOTES:

MID ARMREST FLIP-BACK T-STYLE – UNDER LEVER

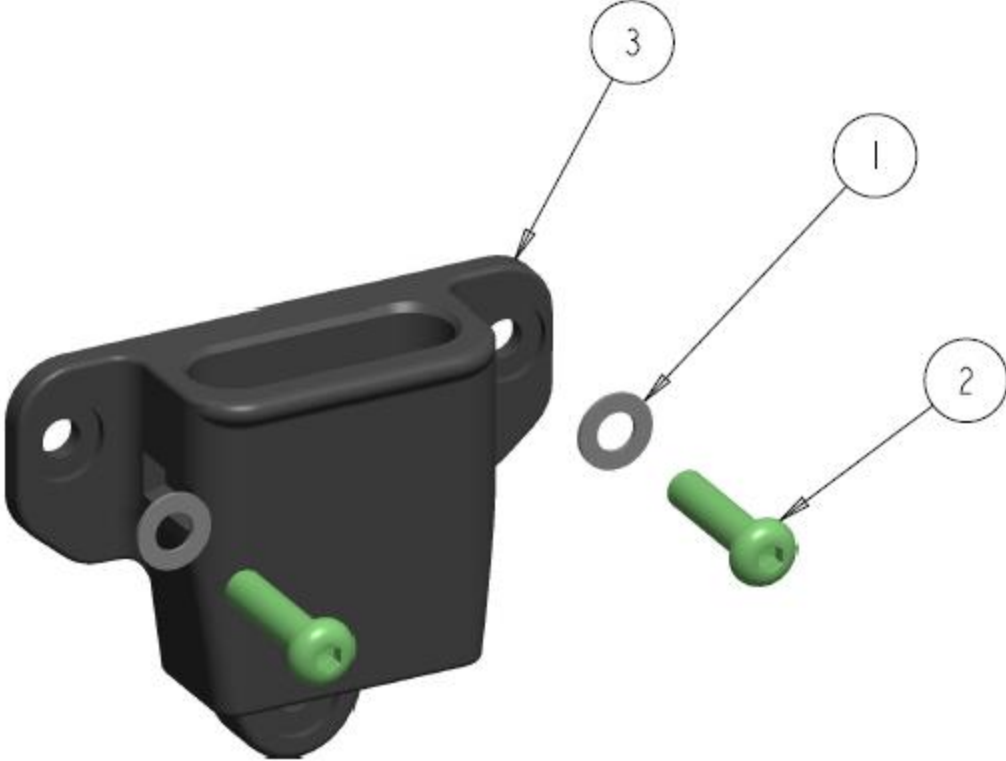


MID ARMREST FLIP-BACK T-STYLE – UNDER LEVER - TABLE

ITEM	QTY	NOTES	PART NO.	DESCRIPTION	PRICE/ PER UNIT
1	2		1001212	SCREW, SOCKET HEAD BUTTON, #10-32NF X 1/2	\$3.00
2	1		1033555	ROTATION ARM FLIP BAR RT	\$30.00
3	1		1033557	INSERT BUSHING ROTATION ARM	\$5.00
4	1		1034691	MID ARMREST ASS' T-STYLE - UNDER LEVER	\$300.00
	1		1037630	KIT, ARMREST FLIP-BACK T-STYLE UNDER LEVER	\$310.00

NOTES:

BASIC ARM BASE 3-HOLE ASSY – UNDER LEVER



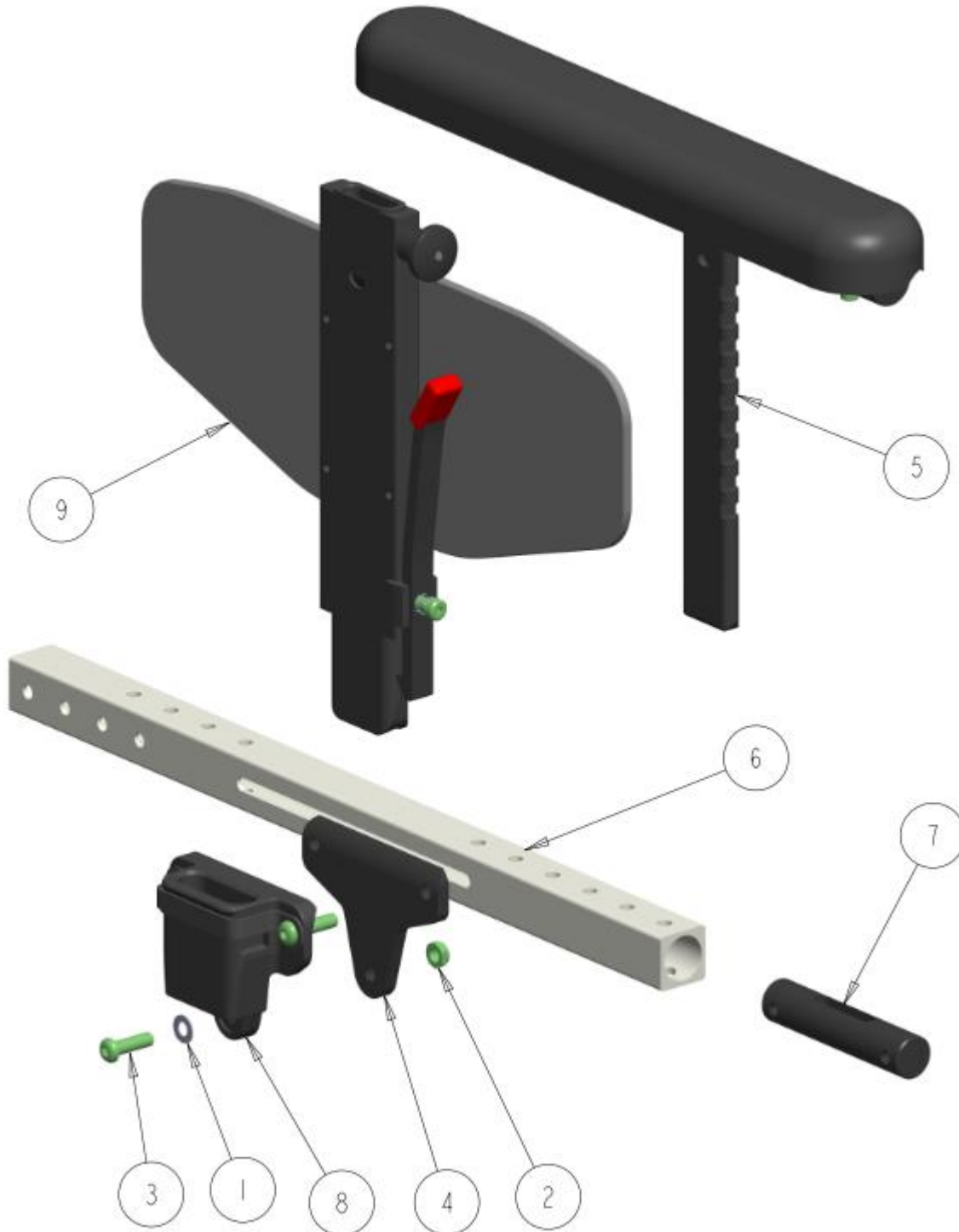
BASIC ARM BASE 3-HOLE ASSY – UNDER LEVER - TABLE

ITEM	QTY	NOTES	PART NO.	DESCRIPTION	PRICE/ PER UNIT
1	2		1000027	WASHER .260 ID .500 OD .031 THK	\$2.00
2	2		1001381	SCREW, SOCKET HEAD BUTTON, 1/4-20NC X 1	\$3.00
3	1		1011236	ARM-REST BASE 3-HOLE	\$44.00
	1		1037631	KIT, BASIC ARM BASE 3-HOLE ASSY UNDER LEVER	\$48.00

NOTES:

T-STYLE ARM PUSH LEVER RELEASE

ARMREST T-STYLE ARM – PUSH RELEASE LEVER

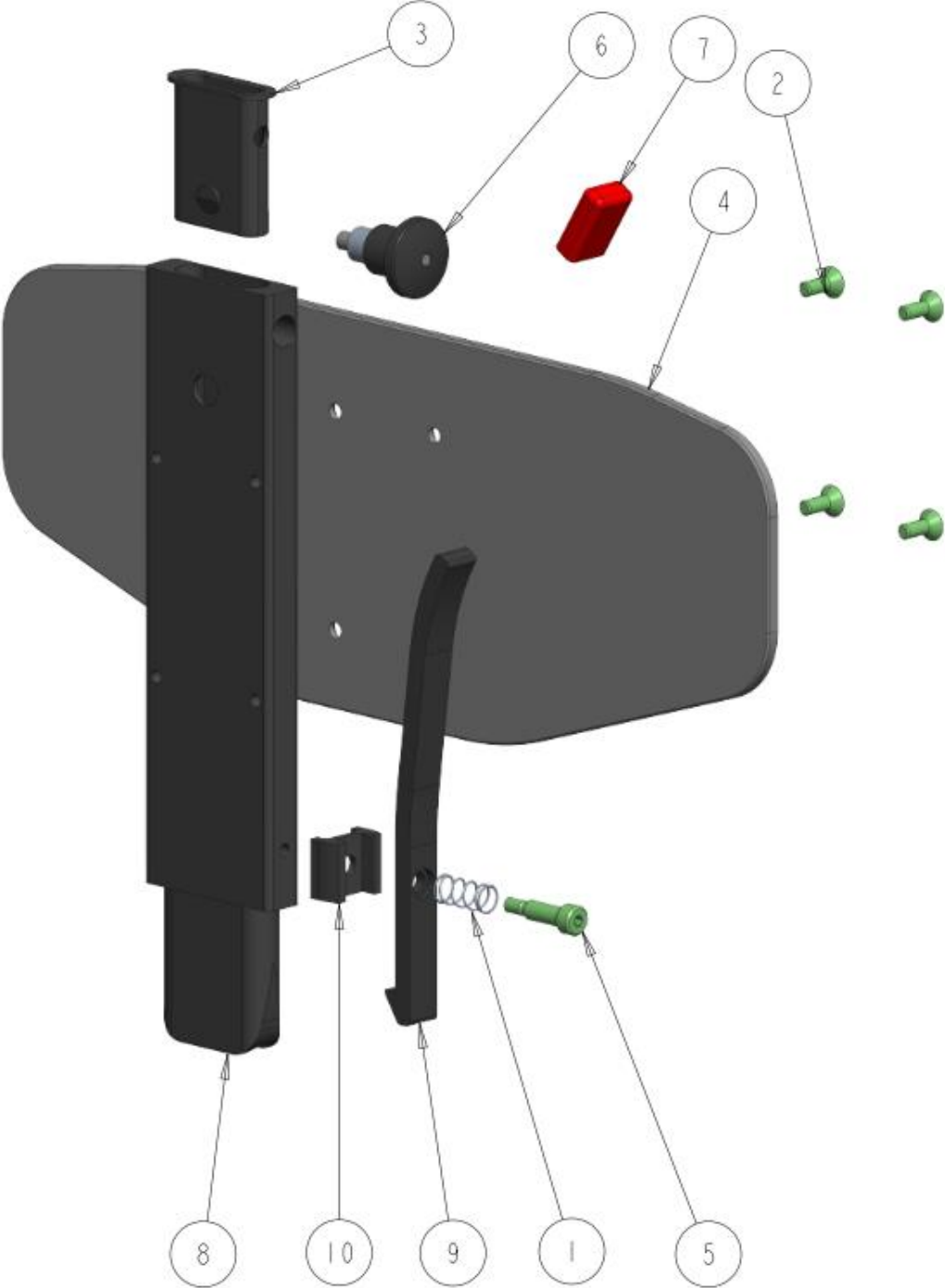


ARMREST T-STYLE ARM - PUSH RELEASE LEVER - TABLE

ITEM	QTY	NOTES	PART NO.	DESCRIPTION	PRICE/ PER UNIT
1	1		1000027	WASHER .260 ID .500 OD .031 THK	\$2.00
2	1		1000397	NUT, HEX-NYLOCK THIN, 1/4-20NC	\$2.00
3	1		1001381	SOC HD SCREW 1/4-20 X .875	\$3.00
4	1		1015358	3-POINT 1/4" RISER BLOCK	\$14.00
5	1		REF	WELDED ARM-REST TOP GEN	REF
6	1		REF	SIDE RAIL, SEAT FRAME	REF
7	1		1036834	ARM BASE INSERT PLUG 1.00	\$28.00
8	1		1037052	BASIC ARM BASE 3-HOLE ASSY	\$34.00
9	1		REF	MID BASIC ARMREST ASS'Y T-STYLE	REF

NOTES:

MID ARMREST T-STYLE – PUSH RELEASE LEVER

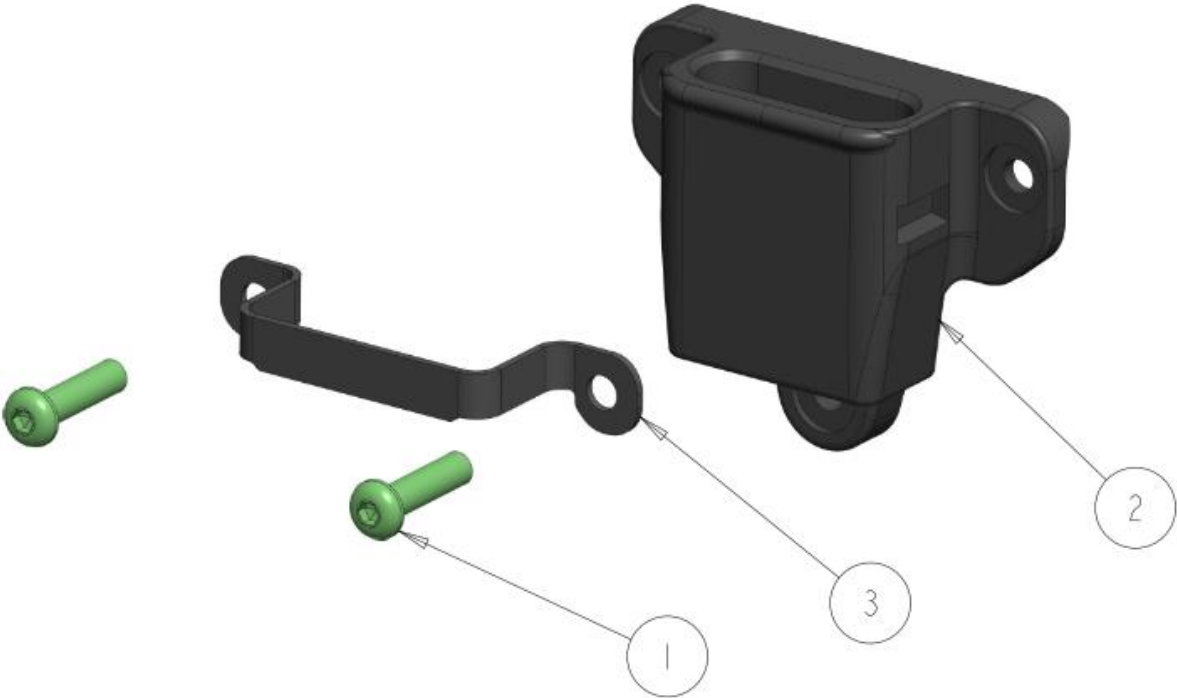


MID ARMREST T-STYLE ARM - PUSH LEVER RELEASE - TABLE

ITEM	QTY	NOTES	PART NO.	DESCRIPTION	PRICE/ PER UNIT
1	1		1001727	SPRING, COMP .36 OD X .75 LG .032 WIRE	\$3.00
2	4		1028477	SCREW, FLAT HEAD SOCKET #10/32NF X 1/2	\$3.00
3	1		1032062	ARM-REST MID, GLIDE INSERT FULL	\$10.00
4	1		1034835	ARM GUARD ADULT 4-HOLE	\$28.00
	1		1040407	ARM GUARD KIDS 4-HOLE	\$23.00
5	1		1034849	SCREW, SOCKET SHOULDER DIA.250 X .625	\$3.00
6	1		1036072	RELEASE KNOB PLUNGER ASS'Y	\$38.00
7	1		1036889	RECT VYNIL GRIP .50 X .187 X 1.0	\$5.00
8	1		1037467	MAIN VERTICAL TUBE - MACHINED	\$82.00
	1		1040402	MAIN VERTICAL TUBE - MACHINED (KIDS)	\$77.00
9	1		1037539	EXTENDED RELEASE LEVER	\$20.00
10	1		1039035	MOUNTING BLOCK 2-POINT	\$10.00
	1		1037702	KIT, COMPLETE BASIC MID ARMREST T-STYLE (ADULT) RT	\$180.00
	1		1037703	KIT, COMPLETE BASIC MID ARMREST T-STYLE (ADULT) LT	\$180.00
	1		1040789	KIT, COMPLETE BASIC MID ARMREST T-STYLE (KIDS) RT	\$175.00
	1		1040790	KIT, COMPLETE BASIC MID ARMREST T-STYLE (KIDS) LT	\$175.00

NOTES:

BASIC ARM-BASE 3-HOLE MOUNT WITH STRAP

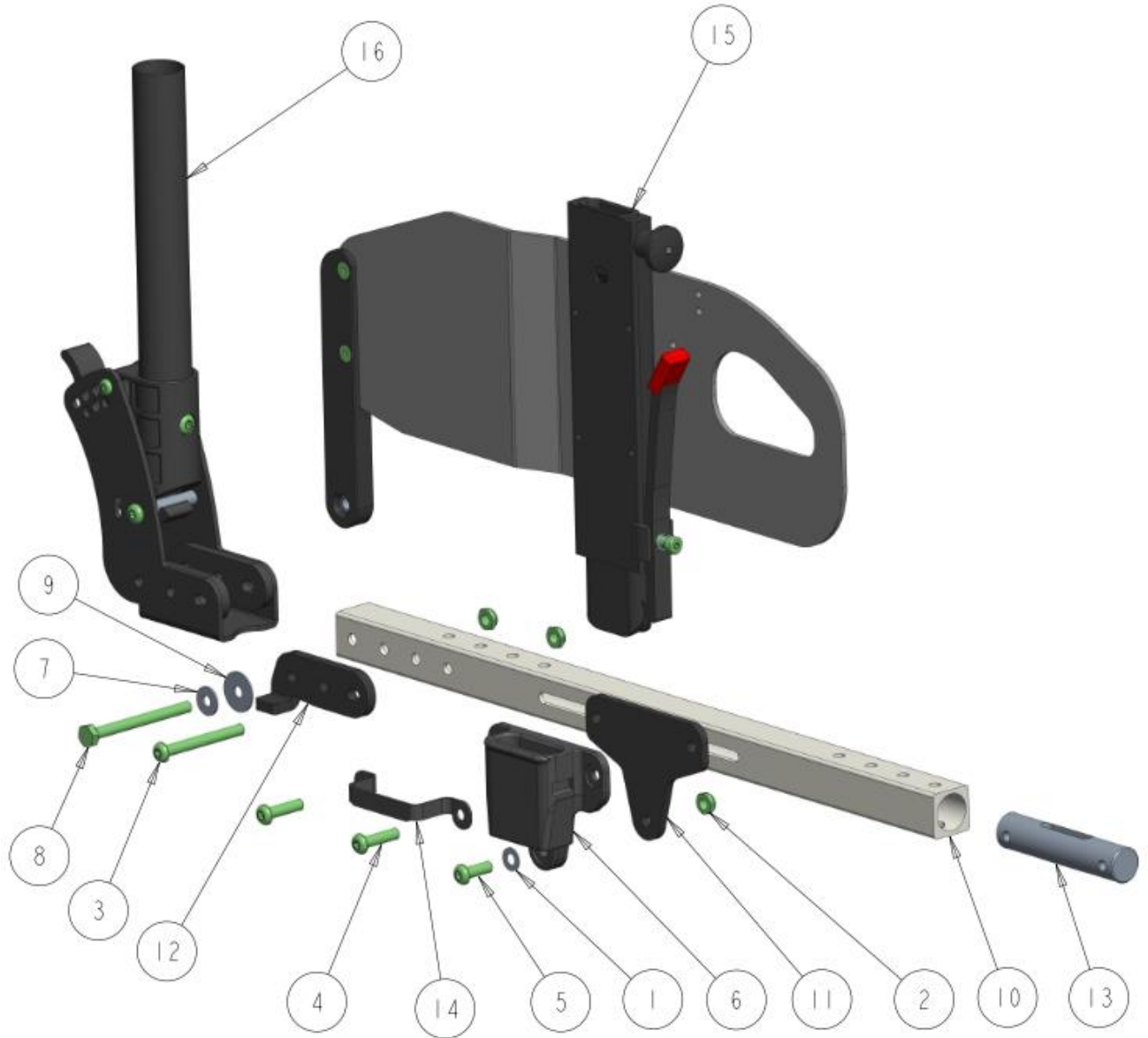


BASIC ARM-BASE 3-HOLE MOUNT WITH STRAP – TABLE

ITEM	QTY	NOTES	PART NO.	DESCRIPTION	PRICE/ PER UNIT
1	2		1001381	SOC HD SCREW 1/4-20 X 1.00	\$3.00
2	1		1011236	ARM-REST BASE 3-HOLE	\$18.00
3	1		1037463	ARM-REST BASE STRAP	\$18.00
	1		1037052	BASIC ARM BASE 3-HOLE ASSY (WITH STRAP)	\$34.00

NOTES:

ARMREST T-STYLE FLIP-BACK ARM – PUSH RELEASE LEVER



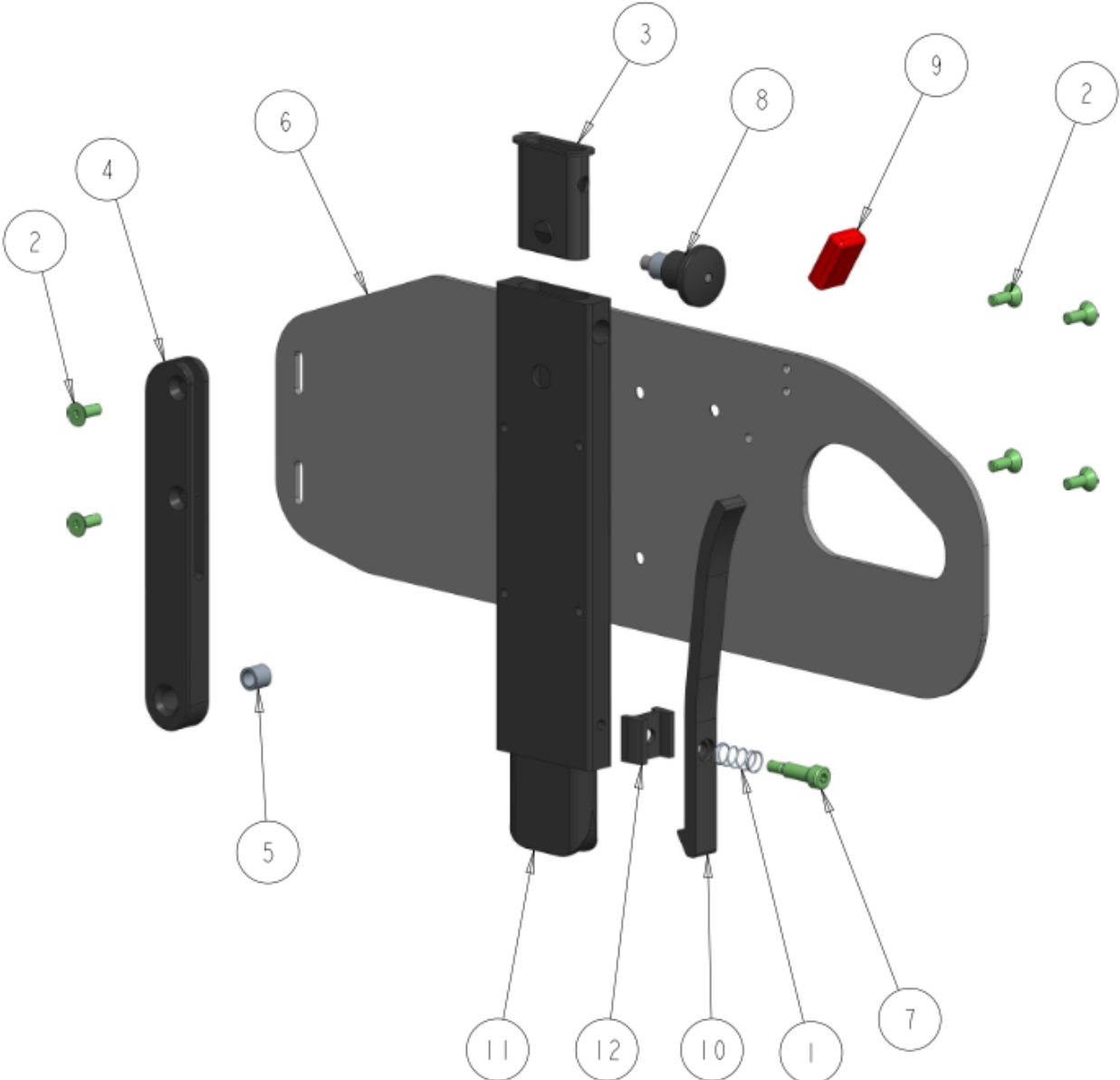
ARMREST T-STYLE FLIP-BACK ARM - PUSH RELEASE LEVER - TABLE

ITEM	QTY	NOTES	PART NO.	DESCRIPTION	PRICE/ PER UNIT
1	1		1000027	WASHER .260 ID .500 OD .031 THK	\$2.00
2	3		1000397	NUT, HEX-NYLOCK THIN, 1/4-20NC	\$2.00
3	1		1000892	SCREW, SOCKET HEAD BUTTON 1/4-20 X 2.25	\$3.00
4	2		1001381	SOC HD SCREW 1/4-20 X 1.00	\$3.00
5	1		1001391	SCREW, SOCKET HEAD BUTTON, 1/4-20NC X 3/4	\$3.00
6	1		1011236	ARM-REST BASE 3-HOLE	\$18.00
7	1		1020550	1/4 X5/8 X 0.05 S.STEEL WASHER	\$1.50
8	1		1021660	BOLT, HEX HEAD, 1/4-20NC X 2.75	\$8.00
9	1		1033558	NYLON WASHER, ID.260 OD.870 THK.04	\$3.00
10	1		REF	SIDE TUBE TILT SEAT FRAME	REF
11	1		1034369	3-POINT 3/16" RISER BLOCK	\$14.00
12	1		1034370	ORION II FLIP-BACK ARM STOPPER RT	\$30.00
	1		1034371	ORION II FLIP-BACK ARM STOPPER LT	\$30.00
13	1		1036834	ARM BASE INSERT PLUG 1.00	\$28.00
14	1		1037463	ARM-REST BASE STRAP	\$18.00
15	1		REF	MID BASIC ARMREST T-STYLE FLIP	REF
16	1		REF	PADDLE FLIP-DOWN BACKCANE BRACKET	REF
	1	A	1040792	KIT FLIP-BACK HARDWARE WITH ARM BASE	\$119.00

NOTES:

A. NOT INCLUDING ITEMS 10,15 AND 16

MID ARMREST T-STYLE FLIP-BACK – PUSH RELEASE LEVER



MID ARMREST T-STYLE FLIP-BACK ARM - PUSH LEVER RELEASE - TABLE

ITEM	QTY	NOTES	PART NO.	DESCRIPTION	PRICE/ PER UNIT
1	1		1001727	SPRING, COMP .36 OD X .75 LG .032 WIRE	\$3.00
2	6		1028477	SCREW, FLAT HEAD SOCKET #10/32NF X 1/2	\$3.00
3	1		1032062	ARM-REST MID, GLIDE INSERT FULL	\$10.00
4	1		1033555	ROTATION ARM FLIP BAR RT	\$30.00
	1		1033556	ROTATION ARM FLIP BAR LT	\$30.00
5	1		1033557	INSERT BUSHING ROTATION ARM	\$5.00
6	1		1034846	BASIC FLIP-BACK ARM GUARD RT	\$85.00
	1		1034847	BASIC FLIP-BACK ARM GUARD LT	\$85.00
7	1		1034849	SCREW, SOCKET SHOULDER DIA.250 X .625	\$3.00
8	1		1036072	RELEASE KNOB PLUNGER ASS'Y	\$38.00
9	1		1036889	RECT VYNIL GRIP .50 X .187 X 1.0	\$5.00
10	1		1037539	EXTENDED RELEASE LEVER	\$20.00
11	1		1038679	MAIN VERTICAL TUBE FLIP - MACHINED	\$83.00
12	1		1039035	MOUNTING BLOCK 2-POINT	\$10.00
	1		1037704	KIT, COMPLETE BASIC MID ARMREST FLIPBACK (ADULT) RT	\$265.00
	1		1037705	KIT, COMPLETE BASIC MID ARMREST FLIPBACK (ADULT) LT	\$265.00

NOTES: