



FUTURE
MOBILITY HEALTHCARE INC.
Innovative Seating and Mobility Solutions

**ELEVATING
LEGREST**

PARTS MANUAL

FUTURE MOBILITY HEALTHCARE APPRECIATES YOUR BUSINESS.
OUR CUSTOMER SERVICE REPRESENTATIVES CAN BE CONTACTED AT:

**TO PLACE ORDERS:
(905) 671-1661**

FOR YOUR CONVENIENCE YOU MAY ALSO PLACE ORDERS BY FAX AT:

FAX: (905) 671-3377

PLEASE VISIT OUR WEBSITE AT:

www.futuremobility.ca

*Part prices and configurations included in this Parts Manual are subject to change without prior notice.

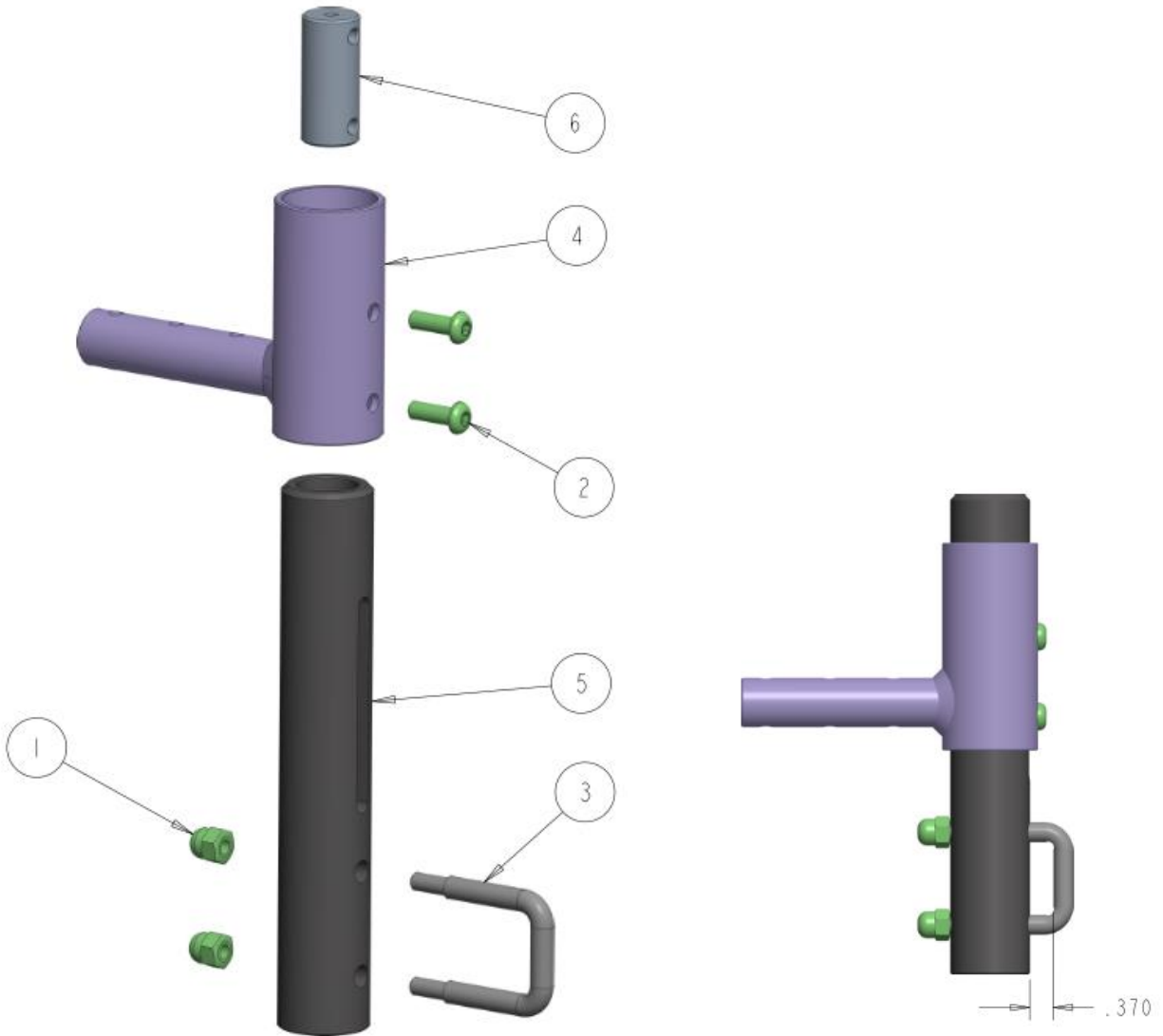
* All prices are shown as per unit individual price.

Contents

ELEVATING LEGREST HANGER 5
 ELEVATING LEGREST U-BOLT COMPACT HANGER..... 5
 ELEVATING LEGREST SP HANGER 7
ELEVATING LEGREST 9
 ELEVATING LEGREST U-BOLT COMPACT 9
 SP ELEVATING LEGREST BOLTED ASSY 11
 SP ELEVATING LEGREST MAIN HOUSING 13
 SP ELEVATING LEGREST FOOTPLATE AND STEM 15

ELEVATING LEGREST HANGER

ELEVATING LEGREST U-BOLT COMPACT HANGER



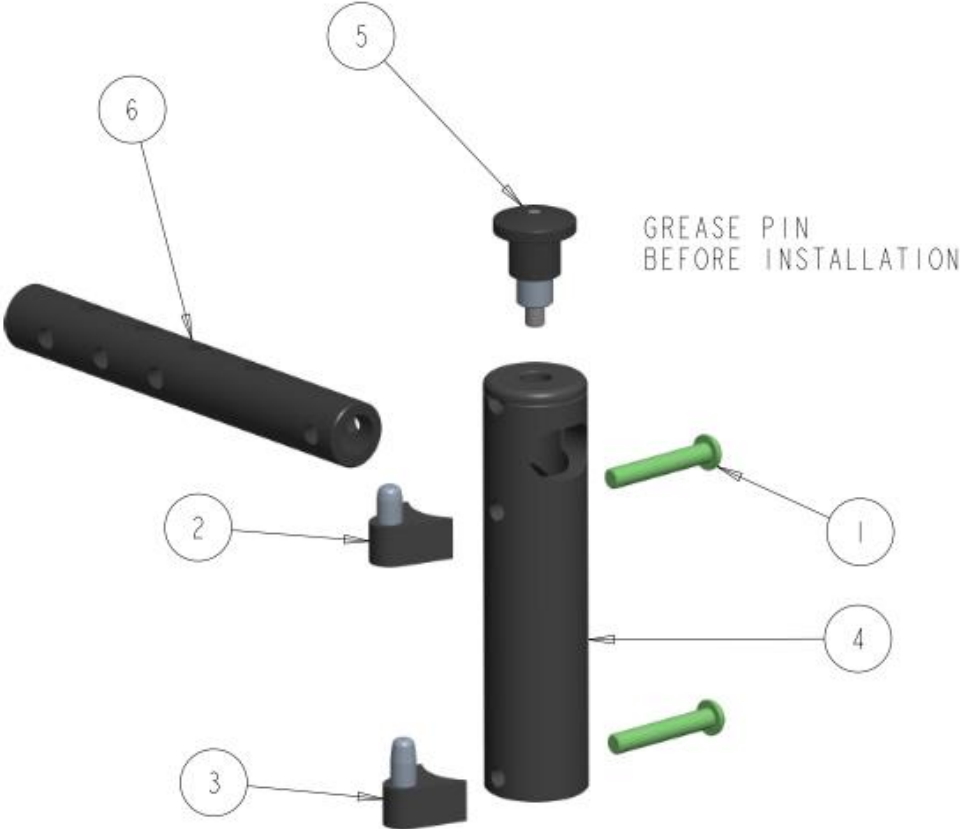
ELEVATING LEGREST U-BOLT HANGER COMPACT – TABLE

ITEM	QTY	NOTES	PART NO.	DESCRIPTION	PRICE/ PER UNIT
1	2		1000787	ACORN NUT, 1/4-20 STAINLESS 0.510 HIGH	\$6.00
2	2		1001391	SCREW, SOCKET HEAD BUTTON, 1/4-20NC X 3/4	\$3.00
3	1		1038677	1.25 LATCH U-BOLT COMPACT BRACKET	\$20.00
4	1		1039168	ELEVATING LEGREST HANGER U-BOLT COMPACT (STELLATO)	\$82.00
	1		1039179	ELEVATING LEGREST HANGER U-BOLT COMPACT (15-19")	\$84.00
	1		1039181	ELEVATING LEGREST HANGER U-BOLT COMPACT (20-24")	\$89.00
5	1		1039172	1.25 U-BOLT HANGER VERTICLE TUBE	\$64.00
6	1		1039173	ELEVATING LEGREST INSERT PLUG	\$28.00
	1	A	1040758	KIT ELEVATING LEGREST HANGER U-BOLT COMPACT (STELLATO)	\$180.00
	1	B	1040759	KIT ELEVATING LEGREST HANGER U-BOLT COMPACT (15-19")	\$185.00
	1	C	1040760	KIT ELEVATING LEGREST HANGER U-BOLT COMPACT (20-24")	\$190.00

NOTES:

- A. USED ON STELLATO WHEELCHAIR
- B. USED ON ORION, ORION 500 CAPELLA AND CAPELLA 45 WHEELCHAIRS
- C. USED ON ORION, ORION 500 AND CAPELLA 45 WHEELCHAIRS

ELEVATING LEGREST SP HANGER



ELEVATING LEGREST SP HANGER COMPACT – TABLE

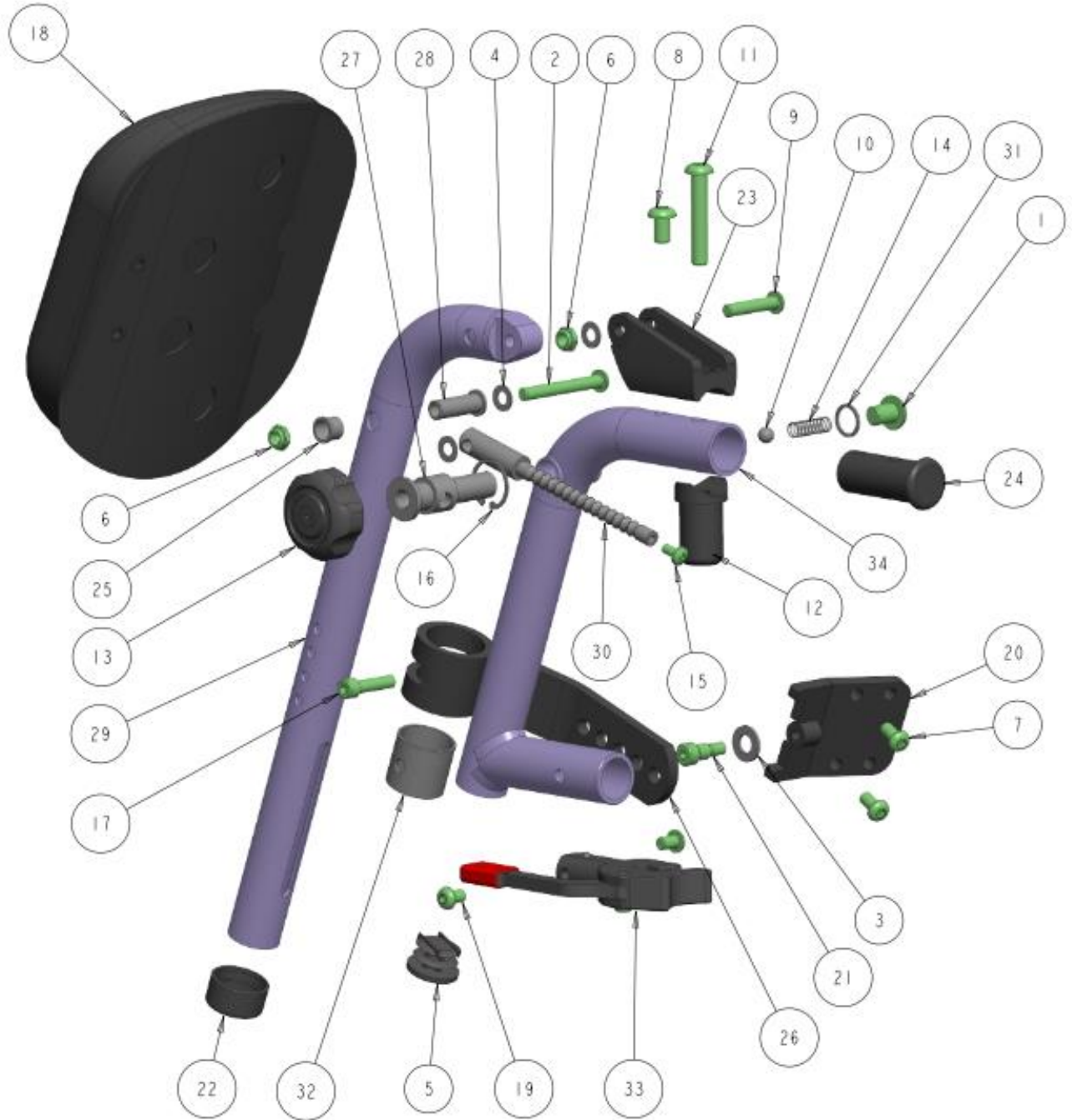
ITEM	QTY	NOTES	PART NO.	DESCRIPTION	PRICE/ PER UNIT
1	2		1000493	SCREW, SOCKET HEAD BUTTON 1/4-20 X 1.50	\$3.00
2	1		1031106	SIDE PIN PRESSED	\$18.00
3	1		1032799	SIDE PIN PRESSED LONG	\$20.00
4	1		1033331	SP HANGER ALUMINUM	\$54.00
5	1		1036072	RELEASE KNOB PLUNGER ASS'Y	\$38.00
6	1		1039031	HORIZONTAL TUBE - HANGER 15-19"	\$22.00
	1		1039032	HORIZONTAL TUBE - HANGER 20-24"	\$27.00
	1	A	1033329	KIT SP HANGER RT ASS'Y ALUMINUM (15-20")	\$136.00
	1	B	1039045	KIT SP HANGER LT ASS'Y ALUMINUM (15-20")	\$141.00
	1	A	1039044	KIT SP HANGER RT ASS'Y ALUMINUM (20-24")	\$136.00
	1	B	1039046	KIT SP HANGER LT ASS'Y ALUMINUM (20-24")	\$141.00

NOTES:

- A. USED ON ORION, ORION 500 CAPELLA AND CAPELLA 45 WHEELCHAIRS
- B. USED ON ORION, ORION 500 AND CAPELLA 45 WHEELCHAIRS

ELEVATING LEGREST

ELEVATING LEGREST U-BOLT COMPACT



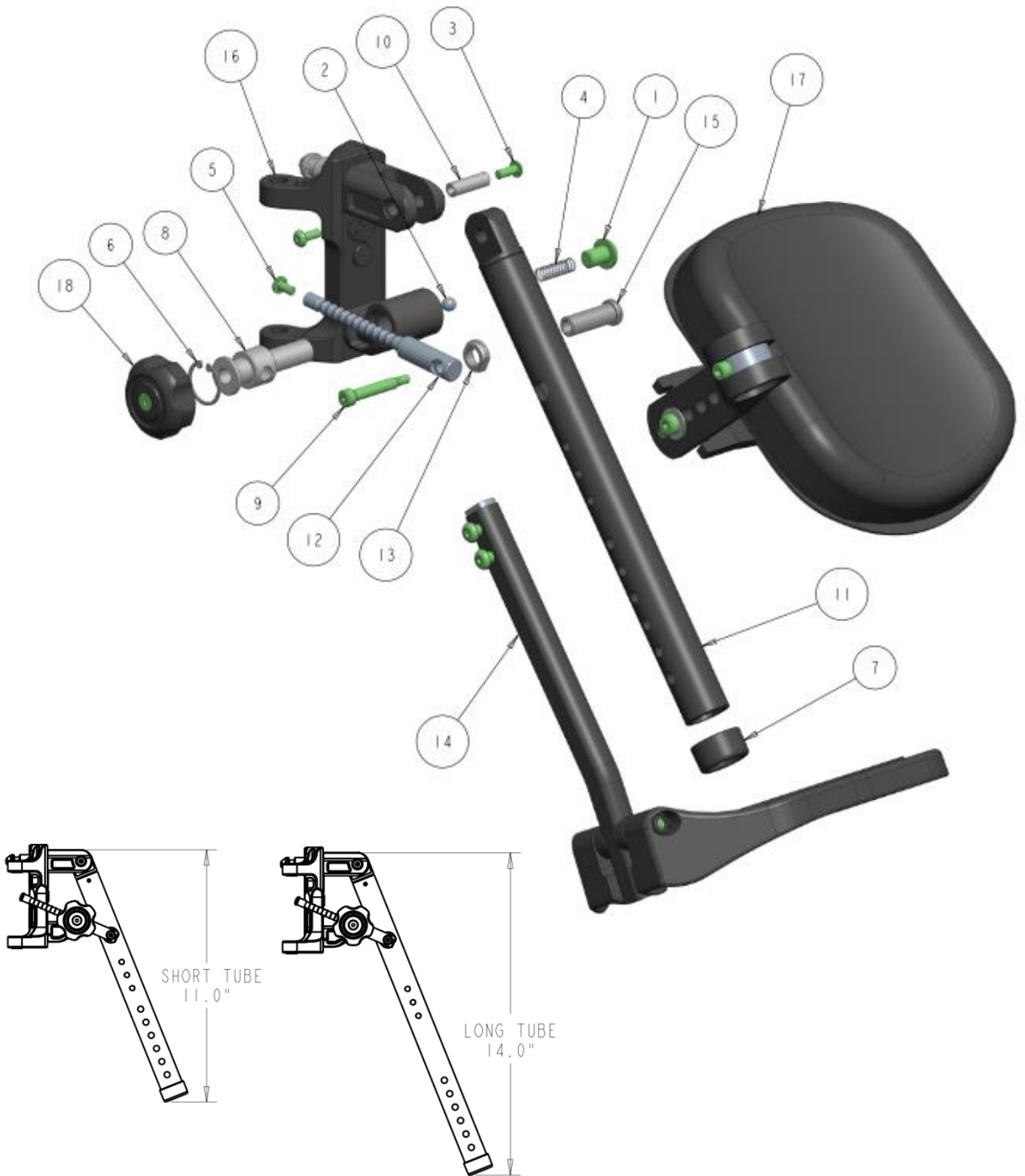
ELEVATING LEGREST U-BOLT COMPACT – TABLE

ITEM	QTY	NOTES	PART NO.	DESCRIPTION	PRICE/ PER UNIT
1	1		1002707	SCREW, SOCKET HEAD BUTTON, 3/8-24 UNF X 1/2	\$4.00
2	1		1002708	SCREW, SOCKET HEAD BUTTON 1/4-20 X 2.00	\$3.00
3	2		1000008	WASHER FLAT 5/16 X 11/16 OD 1/16 THK BLK	\$1.50
4	3		1000027	WASHER .260 ID .500 OD .031 THK	\$2.00
5	1		1000392	ROUND PLUG TUBE, 1.00" DIA FLAT	\$3.00
6	2		1000397	NUT, HEX-NYLOCK THIN, 1/4-20NC BLK	\$2.00
7	2		1000411	SCREW,SOC BUTTON HEAD 1/4-20 X 0.500	\$3.00
8	1		1000413	SCREW, SOCKET HEAD BUTTON 5/16-18 X 0.5	\$3.75
9	1		1000416	SCREW SOCKET HEAD BUTTON, 1/4-20 X 1.25	\$3.00
10	1		1000432	BEARING, BAL .312 CHROME	\$3.00
11	1		1001386	SCREW, SOCKET HEAD BUTTON 5/16-18 X 1.75	\$3.00
12	1		1001401	PIVOT PLUG, SWINGAWAY LEGREST 5/16 BOLT THREADED	\$28.00
13	1		1002710	5 LOBE HANDLE - LEGREST	\$34.50
14	1		1002713	SPRING, COMPRESSION .30 OD .03 WIRE	\$3.00
15	1		1002714	SCREW, PHILLIPS PAN HEAD, #10-32NF X 3/8 SS	\$3.00
16	1		1002715	RETAINING RING INTERNAL .961	\$1.50
17	1		1002723	SCREW, SOCKET HEAD CAP, 1/4-28NF X 1	\$3.00
18	1		1015364	X LARGE CALF PAD CURVED WITH COVER (22" AND UP)	\$84.00
	1		1003116	LARGE CALF PAD CURVED WITH COVER (16-24)	\$84.00
	1		1005233	MEDIUM CALF PAD CURVED WITH COVER (14-16)	\$84.00
	1		1005356	SMALL CALF PAD CURVED WITH COVER (12-14)	\$84.00
19	2		1004069	SCREW,SOC BUTTON HEAD 1/4-20 X 0.375	\$3.00
20	1		1004654	HINGE PLATE CALF PAD, WELDMENT	\$17.50
21	1		1004655	SCREW, SOCKET SHOULDER DIA.312 X .375 LG	\$5.00
22	1		1006834	GLIDE BUSHING 1.00 TO 0.75 SIMPLE	\$5.00
23	1		1006852	PIVOT BRACKET EXTRUSION	\$35.00
24	1		1006856	INSERT PLUG, ELEVATING LEGREST	\$20.00
25	1		1006858	PIVOT BUSHING, END PLUG	\$5.00
26	1		1006860	CALF SUPPORT BRACKET, MACHINED	\$40.00
27	1		1006883	PIVOT STEM, ELEVATING LEGREST ALUM	\$27.00
28	1		1006885	PIVOT BUSHING, ELEVATING TUBE ALUM	\$6.00
29	1		1006886	LONG ELEVATING TUBE WELDMENT (STF HEIGHT 17-20")	\$85.00
	1		1021599	SHORT ELEVATING TUBE WELDMENT (STF HEIGHT 13-16")	\$85.00
30	1		1031642	MAIN INDEX ROD, ELEVATING LEGREST	\$46.00
31	1		1032320	WASHER 0.50 ID X .625 OD X .045 THK	\$1.50
32	1		1034664	CALF SUPPORT SLEEV BUSHING	\$10.00
33	1		1038681	SWINGAWAY U-BOLT HOUSING ASS'Y RT	\$105.00
34	1		1039174	PIVOT WELDMENT, 70 DEG ELEVATING	\$83.00
	1	A	1040761	KIT U-BOLT COMPACT ELEVATING LEGREST RT - SHORT TUBE	\$475.00
	1	A	1040762	KIT U-BOLT COMPACT ELEVATING LEGREST LT - SHORT TUBE	\$475.00
	1	A	1040763	KIT U-BOLT COMPACT ELEVATING LEGREST RT - LONG TUBE	\$475.00
	1	A	1040764	KIT U-BOLT COMPACT ELEVATING LEGREST LT - LONG TUBE	\$475.00

NOTES:

A. SPECIFY CALF PAD SIZE UPON ORDERING. IF UNSPECIFIED, LARGE WILL BE USED. FOOTPLATE AND STEM NOT INCLUDED.

SP ELEVATING LEGREST BOLTED ASSY



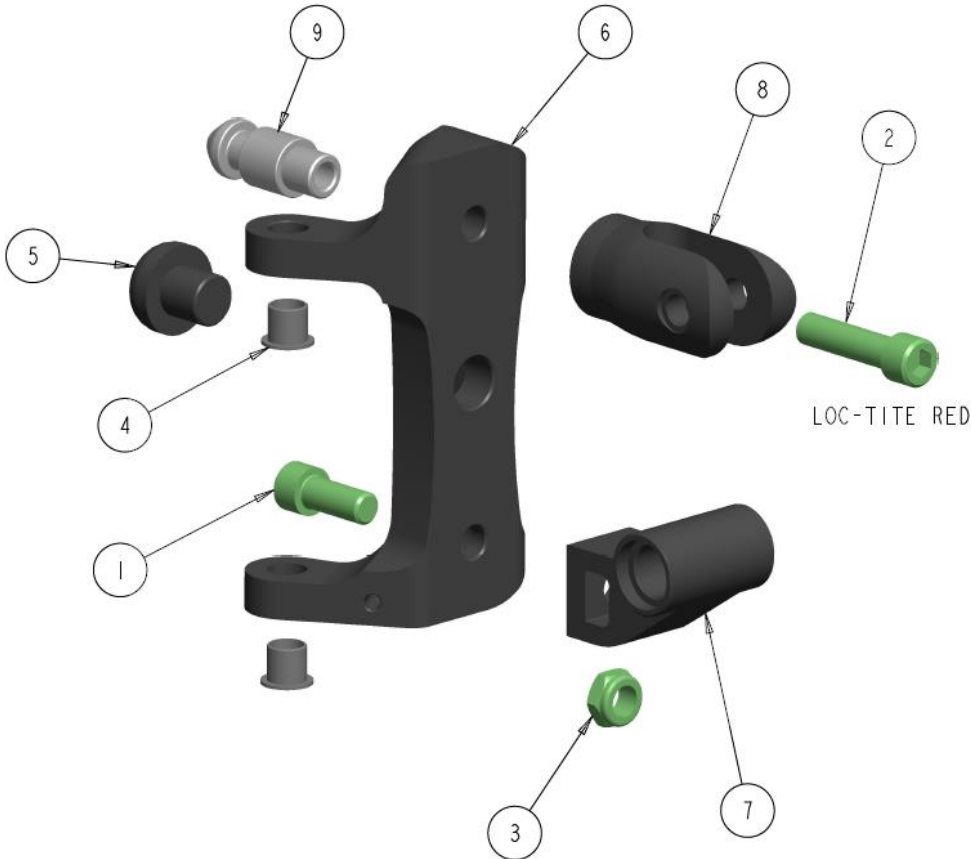
SP ELEVATING LEGREST BOLTED ASSY - TABLE

ITEM	QTY	NOTES	PART NO.	DESCRIPTION	PRICE/ PER UNIT
1	1		1002707	SCREW, SOCKET HEAD BUTTON, 3/8-24 UNF X 1/2	\$4.00
2	1		1000432	BEARING, BAL .312 CHROME	\$3.00
3	2		1001212	SCREW, SOCKET HEAD BUTTON, #10-32NF X 1/2	\$3.00
4	1		1002713	SPRING, COMPRESSION .30 OD .03 WIRE	\$3.00
5	1		1002714	SCREW, PHILLIPS PAN HEAD, #10-32NF X 3/8 SS	\$3.00
6	1		1002715	RETAINING RING INTERNAL .961	\$1.50
7	1		1006834	GLIDE BUSHING 1.00 TO 0.75 SIMPLE	\$5.00
8	1		1033202	SP ELEVATING PIVOT STEM	\$27.00
9	1		1033211	SCREW, SOCKET SHOULDER DIA.250 X 1.25	\$5.00
10	1		1033213	SP ELEVATING TOP PIVOT ROD	\$15.00
11	1		1033255	SP PIVOT ELEVATING TUBE PRESSED SHORT (13-16" STF)	\$96.00
	1		1033256	SP PIVOT ELEVATING TUBE PRESSED LONG (17-20" STF)	\$98.00
12	1		1033265	PIVOT PLUG ELEVATING TUBE	\$48.00
13	1		1033269	SP ELEVATING PIVOT END CAP	\$16.00
14	1		1040766	ELEVATING FOOTREST STEM BENT LONG MED FOOTPLATE	\$108.00
	1		1040767	ELEVATING FOOTREST STEM BENT SHORT MED FOOTPLATE	\$108.00
	1		1040768	ELEVATING FOOTREST STEM BENT LONG SM FOOTPLATE	\$105.00
	1		1040769	ELEVATING FOOTREST STEM BENT SHORT SM FOOTPLATE	\$105.00
15	1		1033291	SP ELEVATING PIVOT END BUSHING	\$40.00
16	1		1034003	SP ELEVATING LEG REST MAIN RT (BOLTED)	\$175.00
	1		1034004	SP ELEVATING LEG REST MAIN LT (BOLTED)	\$175.00
17	1		1040770	ELEVATING CALFPAD X-LARGE WITH BRACKET	\$125.00
	1		1040771	ELEVATING CALFPAD LARGE WITH BRACKET	\$125.00
	1		1040772	ELEVATING CALFPAD MED WITH BRACKET	\$125.00
	1		1040773	ELEVATING CALFPAD SMALL WITH BRACKET	\$125.00
18	1		1035385	PLASTIC 5 - LOBE HANDLE - ASS'Y	\$37.00
	1	A	1040774	KIT SP ELEVATING LEGREST RT - SHORT TUBE	\$515.00
	1	A	1040775	KIT SP ELEVATING LEGREST LT - SHORT TUBE	\$515.00
	1	A	1040776	KIT SP ELEVATING LEGREST RT - LONG TUBE	\$518.00
	1	A	1040777	KIT SP ELEVATING LEGREST LT - LONG TUBE	\$518.00

NOTES:

A. SPECIFY CALF PAD SIZE UPON ORDERING. IF UNSPECIFIED, LARGE WILL BE USED. FOOTPLATE AND STEM NOT INCLUDED.

SP ELEVATING LEGREST MAIN HOUSING

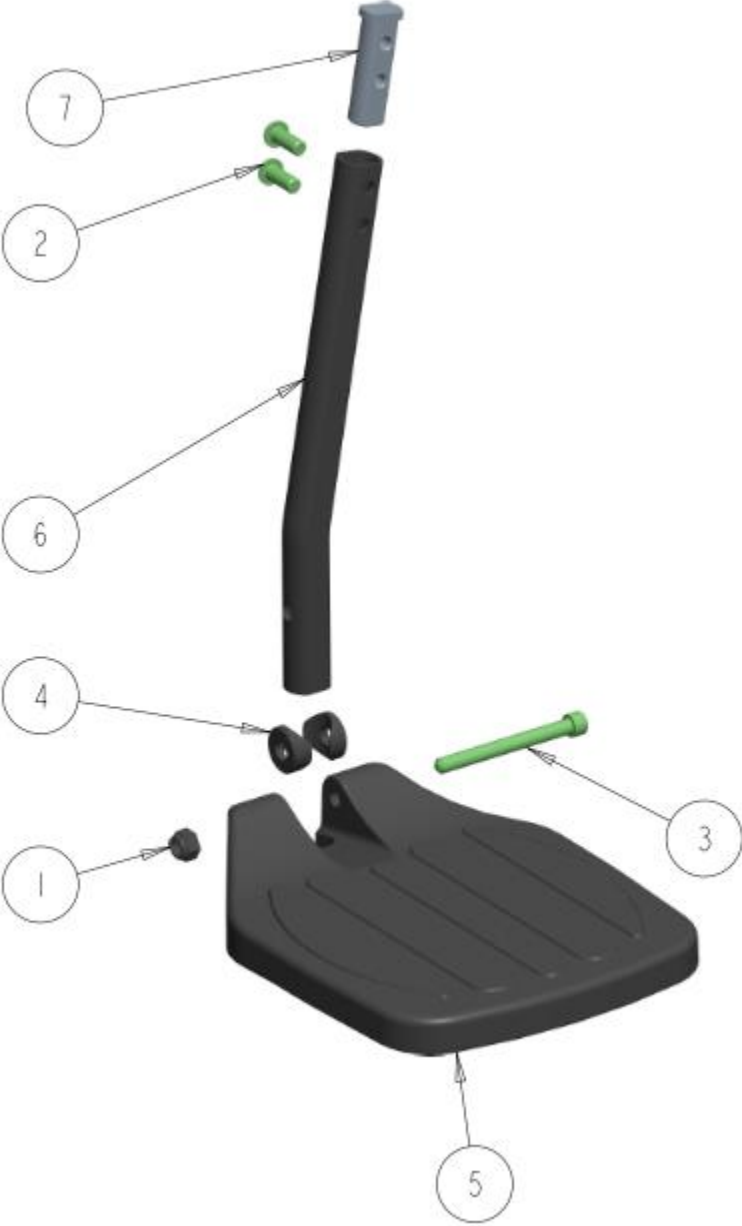


SP ELEVATING LEGREST MAIN HOUSING - TABLE

ITEM	QTY	NOTES	PART NO.	DESCRIPTION	PRICE/ PER UNIT
1	1		1021486	SCREW, SOCKET HEAD CAP, 5/16-18NC X 3/4	\$3.00
2	1		1027357	SCREW, SOCKET HEAD CAP, 5/16-18NC X 1.25	\$3.00
3	1		1029691	NUT, HEX-NYLOCK THIN, 5/16-18NC BLK	\$2.00
4	2		1032828	FLANGE BUSH 0.312 ID X 0.375 OD X 0.375	\$3.00
5	1		1033382	MUSHROOM RUBBER BUMPER 7/8 DIA	\$3.00
6	1		1034005	SP ELEVATING MAIN MOUNT RT	\$72.00
	1		1034006	SP ELEVATING MAIN MOUNT LT	\$72.00
7	1		1034007	SP ELEVATING LOWER BUSHING	\$35.00
8	1		1034008	SP ELEVATING UPPER PIVOT	\$48.00
9	1		1034009	SWINGAWAY LOCK PIN - BOLTED	\$25.00
	1		1037690	KIT, COMPLETE ELEVATING LEGREST MAIN RT	\$175.00
	1		1037691	KIT, COMPLETE ELEVATING LEGREST MAIN LT	\$175.00

NOTES:

SP ELEVATING LEGREST FOOTPLATE AND STEM



SP ELEVATING LEGREST FOOTPLATE AND STEM - TABLE

ITEM	QTY	NOTES	PART NO.	DESCRIPTION	PRICE/ PER UNIT
1	1		1000014	NUT, NYLOCK1/4-20NC, BLACK	\$2.00
2	2		1000412	SCREW, SOCKET HEAD BUTTON, 1/4-20NC X 5/8	\$3.00
3	1		1000492	SCREW, SOCKET HEAD CAP, 1/4-20 X 2 1/2	\$3.00
4	2		1000904	SPACER, COVERED 1/4 X 0.750 DIA.	\$3.50
5	1		1001444	MEDIUM COMPOSITE FLIP UP FOOTPLATE	\$50.00
	1		1001445	SMALL COMPOSITE FLIP UP FOOTPLATE	\$40.00
6	1		1033281	ELEVATING FOOTPLATE STEM SHORT	\$45.00
	1		1033282	ELEVATING FOOTPLATE STEM LONG	\$48.00
7	1		1033283	ELEVATING STEM INSERT BAR	\$17.00
	1	A	1040766	ELEVATING FOOTREST STEM BENT LONG MED FOOTPLATE	\$108.00
	1	A	1040767	ELEVATING FOOTREST STEM BENT SHORT MED FOOTPLATE	\$108.00
	1	A	1040768	ELEVATING FOOTREST STEM BENT LONG SM FOOTPLATE	\$105.00
	1	A	1040769	ELEVATING FOOTREST STEM BENT SHORT SM FOOTPLATE	\$105.00

NOTES:

A. ONLY FITS WITH SP ELEVATING LEGREST