



FUTURE

MOBILITY HEALTHCARE INC.

CASTERS AND FORKS

PARTS MANUAL

FUTURE MOBILITY HEALTHCARE APPRECIATES YOUR BUSINESS.
OUR CUSTOMER SERVICE REPRESENTATIVES CAN BE CONTACTED AT:

**TO PLACE ORDERS:
(905) 671-1661**

FOR YOUR CONVENIENCE YOU MAY ALSO PLACE ORDERS BY FAX AT:

FAX: (905) 671-3377

PLEASE VISIT OUR WEBSITE AT:

www.futuremobility.ca

*Part prices and configurations included in this Parts Manual are subject to change without prior notice.

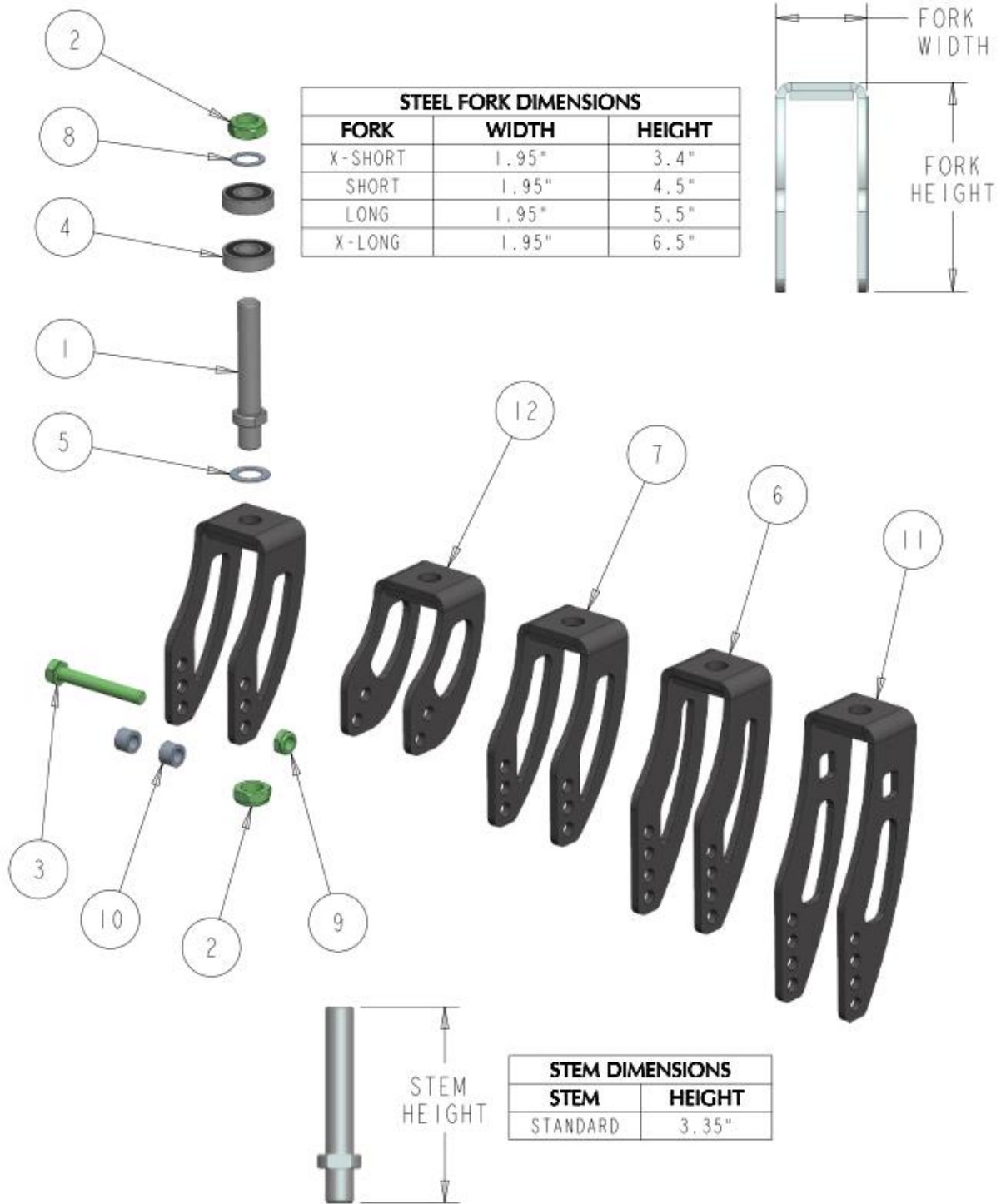
* All prices are shown as per unit individual price.

CONTENTS

CASTER FORKS & STEM 5
 CASTER FORK - CURVED STEEL FIXED HEIGHT 5
 CASTER FORK - CURVED STEEL ADJUSTABLE HEIGHT 7
 CASTER FORK - ALUMINUM FIXED HEIGHT 9
CASTERS 11
 URETHANE CASTERS 11

CASTER FORKS & STEM

CASTER FORK - CURVED STEEL FIXED HEIGHT

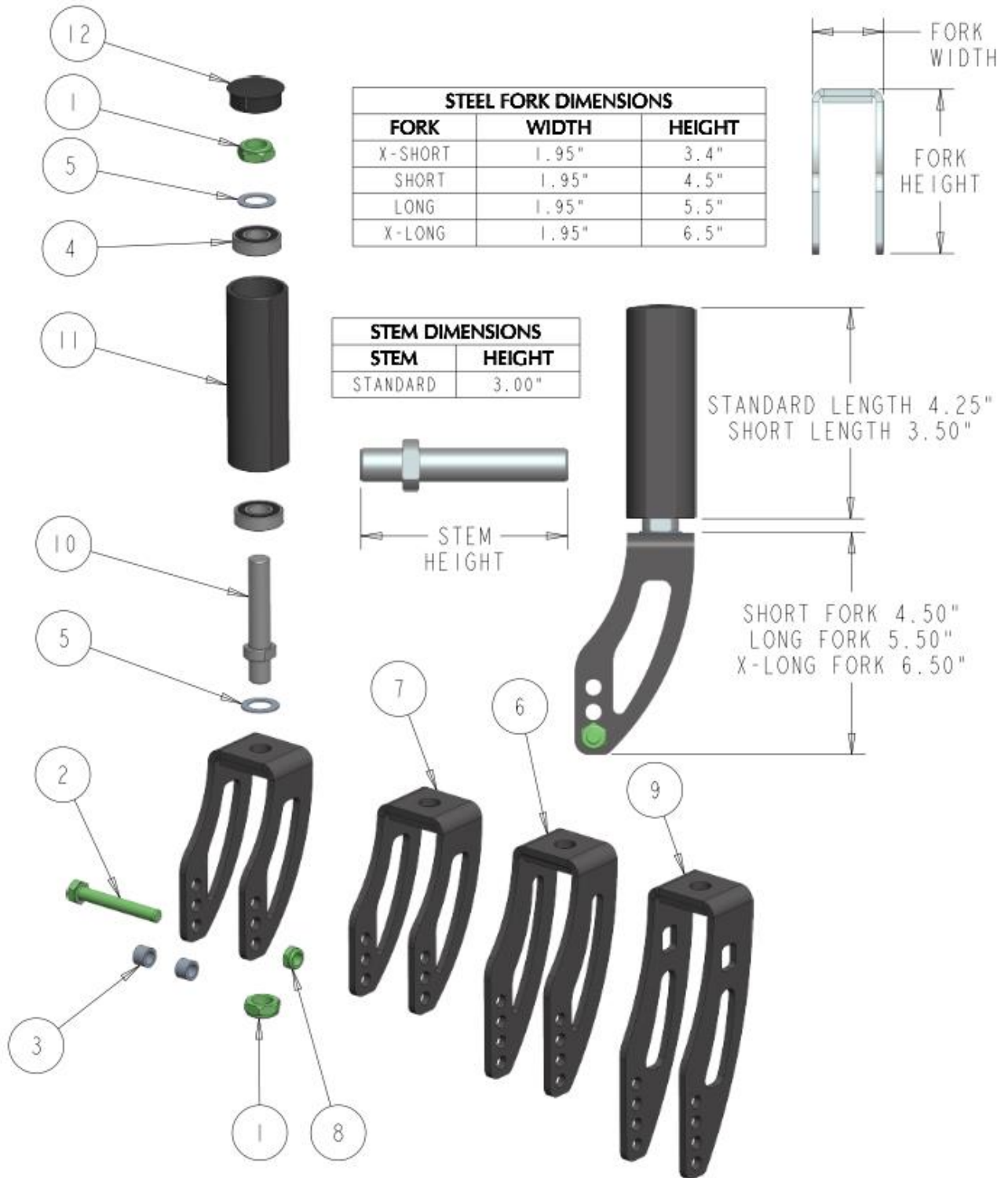


CASTER FORK – CURVED STEEL FIXED HEIGHT – TABLE

ITEM	QTY	NOTES	PART NO.	DESCRIPTION	PRICE/ PER UNIT
1	1		1000144	STANDARD STEM, CASTER JOURNAL	\$43.00
2	2		1000976	NUT. HEX-NYLOCK THIN, 1/2-20NF	\$2.50
3	1		1001013	BOLT, HEX HEAD, 5/16-18NC X 2.25	\$4.00
4	2		1013407	BEARING ID 0.5" X 1.125 OD X .312	\$10.00
5	1		1017107	WASHER FLAT ID 17/32 OD 7/8 THK .032	\$1.50
6	1		1020830	FORK LONG , CURVED STEEL WELDMNT	\$68.00
7	2		1020832	FORK SHORT , CURVED STEEL WELDMNT	\$68.00
8	1		1021330	WASHER FLAT ID.512 OD.755 THK.030	\$1.50
9	1		1029691	NUT, HEX-NYLOCK THIN, 5/16-18NC BLK	\$2.00
10	2		1030737	NYLON SPACER .500 OD X .312 ID X .335	\$2.00
11	1		1031011	FORK X-LONG , CURVED STEEL WELDMNT	\$68.00
12	1		1035367	FORK X-SHORT , CURVED STEEL WELDMNT	\$58.00
	1	A	1020836	KIT FORK X-SHORT , CURVED STEEL WITH STEM & HARDWARE	\$130.00
	1	A	1020835	KIT FORK SHORT , CURVED STEEL WITH STEM & HARDWARE	\$135.00
	1	A	1020834	KIT FORK LONG , CURVED STEEL WITH STEM & HARDWARE	\$135.00
	1	A	1040794	KIT FORK X-LONG , CURVED STEEL WITH STEM & HARDWARE	\$135.00

NOTES: A. USED ON ORION II, ORION 500 AND ORION III

CASTER FORK - CURVED STEEL ADJUSTABLE HEIGHT



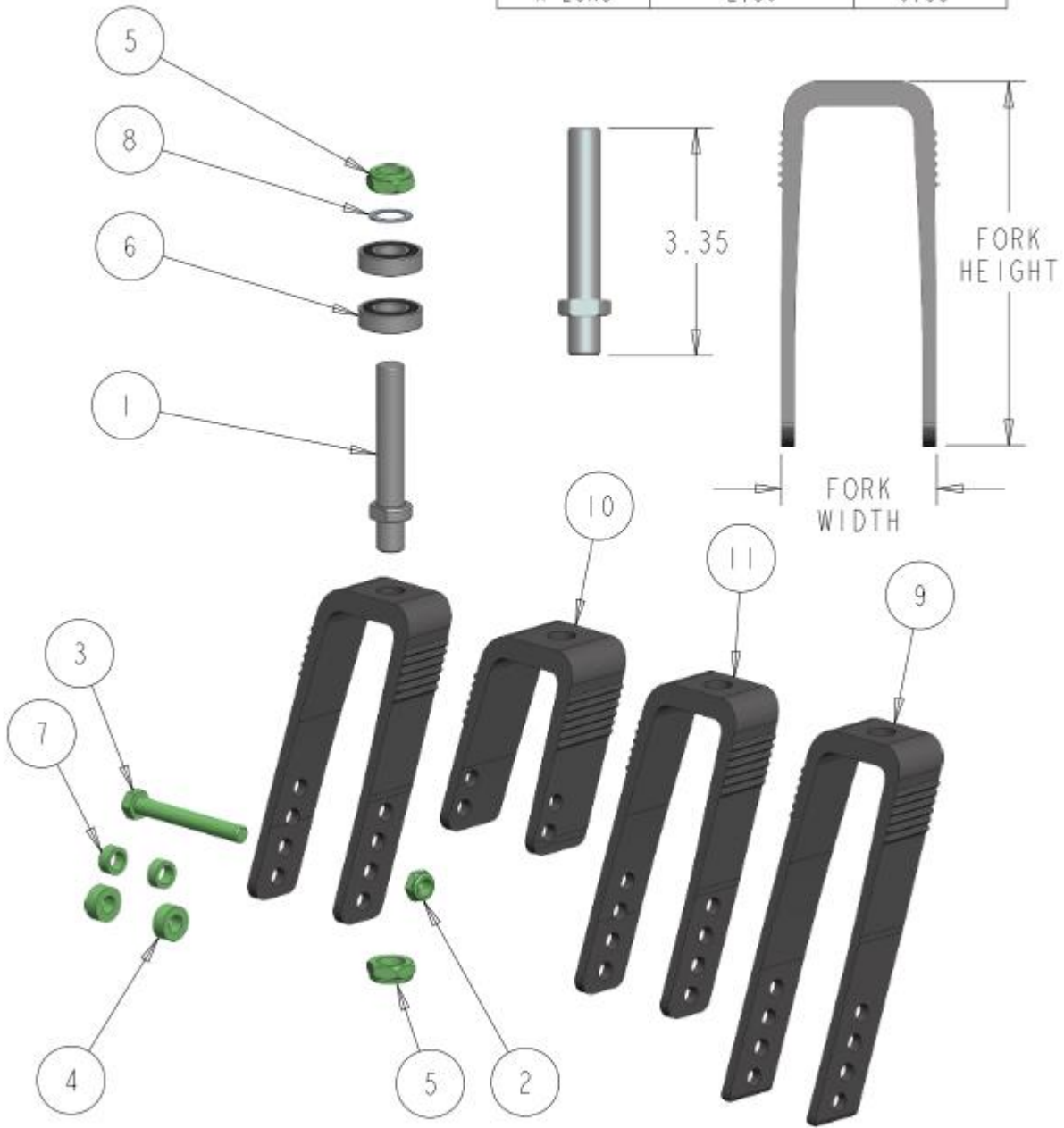
CASTER FORK – CURVED STEEL ADJUSTABLE HEIGHT – TABLE

ITEM	QTY	NOTES	PART NO.	DESCRIPTION	PRICE/ PER UNIT
1	2		1000976	NUT, HEX-NYLOCK THIN, 1/2-20NF	\$2.50
2	1		1001013	BOLT, HEX HEAD, 5/16-18NC X 2.25	\$4.00
3	2		1001014	SPACER 5/16 ID X .313 LG	\$2.50
4	2		1013407	BEARING ID 0.5" X 1.125 OD X .312	\$10.00
5	2		1017107	WASHER FLAT ID 17/32 OD 7/8 THK .032	\$1.50
6	1		1020830	FORK LONG , CURVED STEEL WELDMNT	\$68.00
7	2		1020832	FORK SHORT , CURVED STEEL WELDMNT	\$68.00
8	1		1029691	NUT, HEX-NYLOCK THIN, 5/16-18NC BLK	\$2.00
9	1		1031011	FORK X-LONG , CURVED STEEL WELDMNT	\$68.00
10	1		1031016	STEM, CASTER JOURNAL MED	\$34.00
11	1		1031037	ADJ. CASTER SLEEVE LONG LENGTH	\$110.00
	1		1032524	CLAMP CASTER SLEEVE SHORT LENGTH	\$105.00
12	1		1031039	DOME END PLUG THIN 1.187 DIA	\$4.00
	1	A	1040797	KIT SHORT CASTER SLEEVE, SHORT FORK & HARDWARE	\$212.00
	1	A	1040798	KIT SHORT CASTER SLEEVE, LONG FORK & HARDWARE	\$212.00
	1	A	1040799	KIT SHORT CASTER SLEEVE, X-LONG FORK & HARDWARE	\$212.00
	1	A	1040800	KIT LONG CASTER SLEEVE, SHORT FORK & HARDWARE	\$217.00
	1	A	1040801	KIT LONG CASTER SLEEVE, LONG FORK & HARDWARE	\$217.00
	1	A	1040802	KIT LONG CASTER SLEEVE, X-LONG FORK & HARDWARE	\$217.00

NOTES: A. USED ON CAPELLA AND CAPELLA 45

CASTER FORK - ALUMINUM FIXED HEIGHT

ALUMINUM FORK DIMENSIONS		
FORK	WIDTH	HEIGHT
SHORT	2.30"	3.40"
LONG	2.30"	5.35"
X-LONG	2.30"	6.35"



CASTER FORK – ALUMINUM FIXED HEIGHT – TABLE

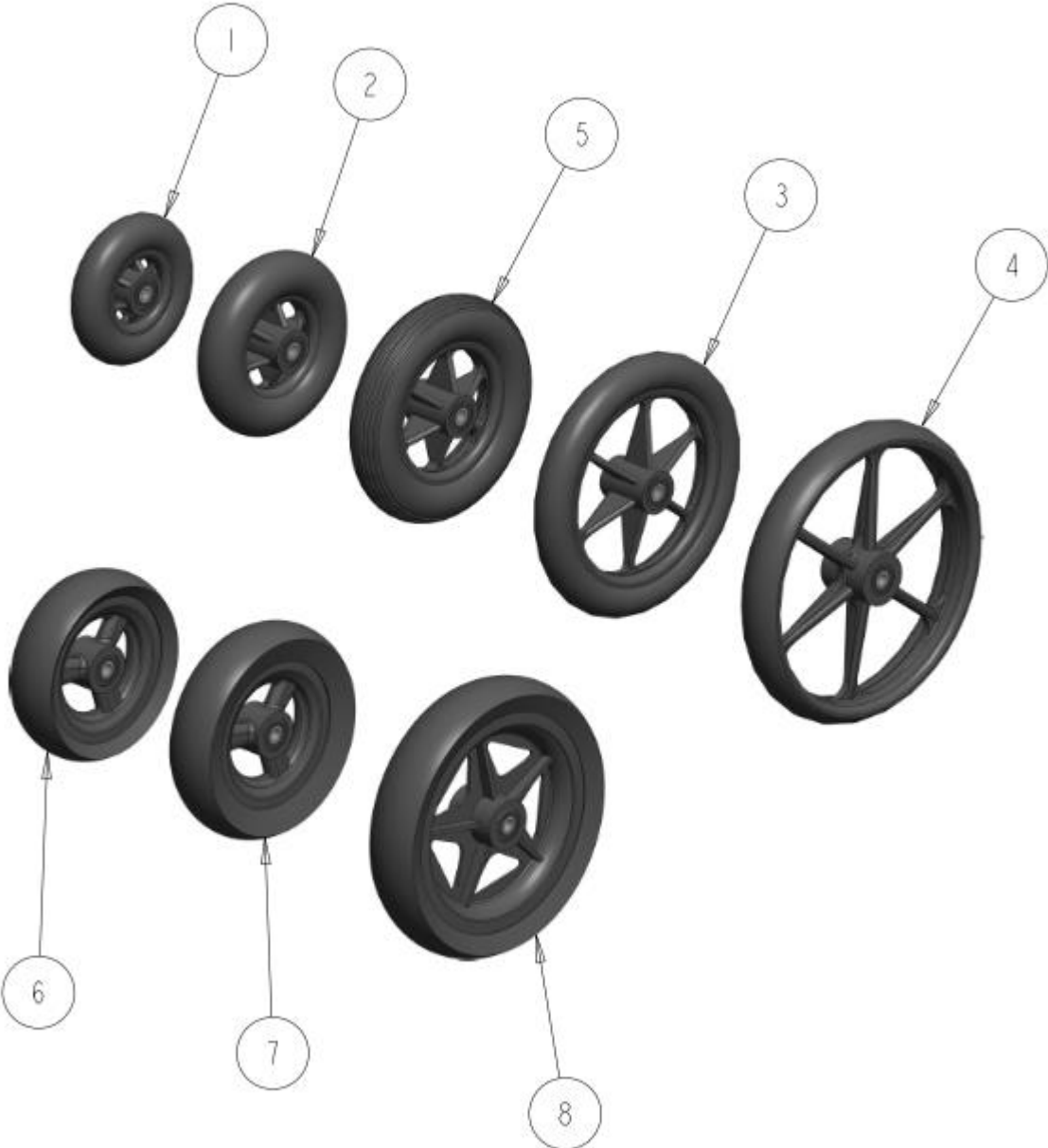
ITEM	QTY	NOTES	PART NO.	DESCRIPTION	PRICE/ PER UNIT
1	1		1000144	STANDARD STEM, CASTER JOURNAL	\$43.00
2	1		1000396	NUT, HEX-NYLOCK THIN, 5/16-18NC	\$2.00
3	1		1000422	BOLT, HEX HEAD, 5/16-18NC X 2 1/2	\$3.00
4	2		1000488	NYLON SPACER .500 OD X .312 ID X .250 BLACK	\$3.50
5	2		1000976	NUT. HEX-NYLOCK THIN, 1/2-20NF	\$2.50
6	2		1013407	BEARING ID 0.5" X 1.125 OD X .312	\$10.00
7	2	B	1013586	SPACER NYLON 5/16 OD .500, ID .335 THK .200	\$2.00
8	1		1021330	WASHER FLAT ID.512 OD.755 THK.030	\$1.50
9	1		1025015	NARROW FORK LONG - WITH RIBS	\$56.00
10	1		1025105	NARROW FORK SHORT - WITH RIBS	\$58.00
11	2		1025110	NARROW FORK MED - WITH RIBS	\$52.00
	1	A	1040804	KIT ALUMINUM SHORT FORK WITH STEM & HARDWARE	\$125.00
	1	A	1040805	KIT ALUMINUM MED FORK WITH STEM & HARDWARE	\$125.00
	1	A	1040806	KIT ALUMINUM LONG FORK WITH STEM & HARDWARE	\$125.00

NOTES: A. USED ON STELLATO II

B. ONLY THIS SPACER REQUIRED FOR 1" AND 1.25" WIDE CASTERS

CASTERS

URETHANE CASTERS



URETHANE CASTERS — TABLE

ITEM	QTY	NOTES	PART NO.	DESCRIPTION	PRICE/ PER UNIT
1	1		1004117	CASTER WHEEL 4 X 1.00" WIDE URETHANE	\$54.00
2	1		1004118	CASTER WHEEL 5 X 1.25" WIDE URETHANE	\$84.00
3	1		1004119	CASTER WHEEL 7 X 1.00" WIDE URETHANE	\$79.00
4	1		1004120	CASTER WHEEL 8 X 1.25" WIDE URETHANE	\$84.00
5	1		1013178	CASTER WHEEL 6 X 1.25" WIDE URETHANE	\$79.00
6	1		1021405	CASTER WHEEL 5 x 1.50" WIDE URETHANE	\$87.00
7	1		1021406	CASTER WHEEL 6 x 1.50" WIDE URETHANE	\$92.00
8	1		1038226	CASTER WHEEL 7.50 X 1.50" WIDE URETHANE	\$92.00

NOTES: ALL CASTERS COME WITH 5/16" ID BEARINGS AND SPACER