



FUTURE
MOBILITY HEALTHCARE INC.
Innovative Seating and Mobility Solutions

**HOSPITAL
OVER BED TABLE**

PARTS MANUAL

FUTURE MOBILITY HEALTHCARE APPRECIATES YOUR BUSINESS.
OUR CUSTOMER SERVICE REPRESENTATIVES CAN BE CONTACTED AT:

**TO PLACE ORDERS:
(905) 671-1661**

FOR YOUR CONVENIENCE YOU MAY ALSO PLACE ORDERS BY FAX AT:

FAX: (905) 671-3377

PLEASE VISIT OUR WEBSITE AT:

www.futuremobility.ca

*Part prices and configurations included in this Parts Manual are subject to change without prior notice.

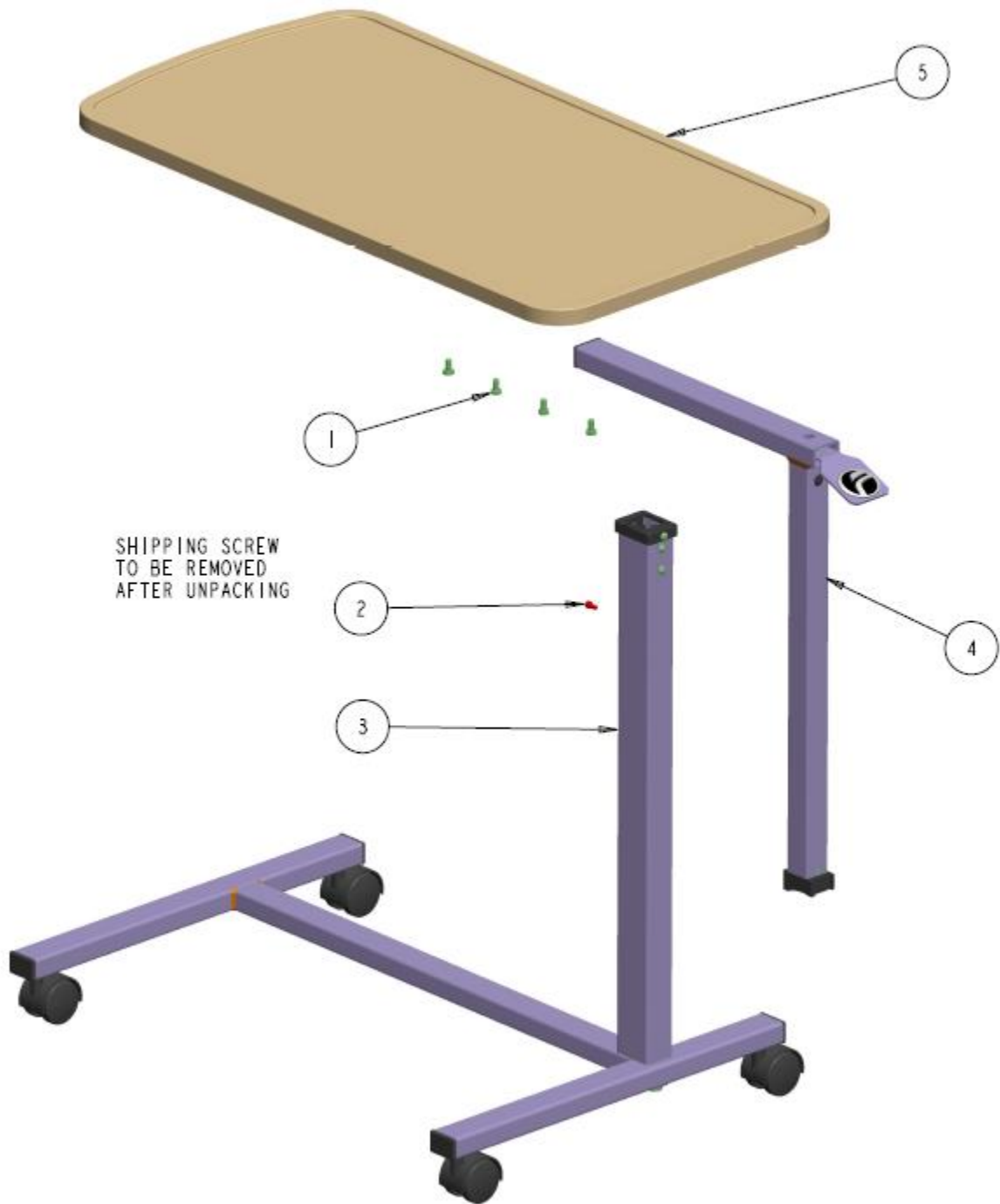
* All prices are shown as per unit individual price.

Contents

OVER BED TABLE ASSY	5
OVER BED TABLE ASSY	5
OVER BED WOOD TABLE TOP ASSY	7
OVER BED WOOD TABLE TOP - WITH MOUNTING BRACKET	7
OVER BED TABLE – BASE	9
OVER BED TABLE LOWER BASE FRAME ASSY	9
OVER BED TABLE GLIDE PLATE ASSY	11
OVER BED TABLE – TOP	13
OVER BED TABLE TOP FRAME ASSY	13
OVER BED TABLE TOP GLIDE MECH ASSY	15

OVER BED TABLE ASSY

OVER BED TABLE ASSY

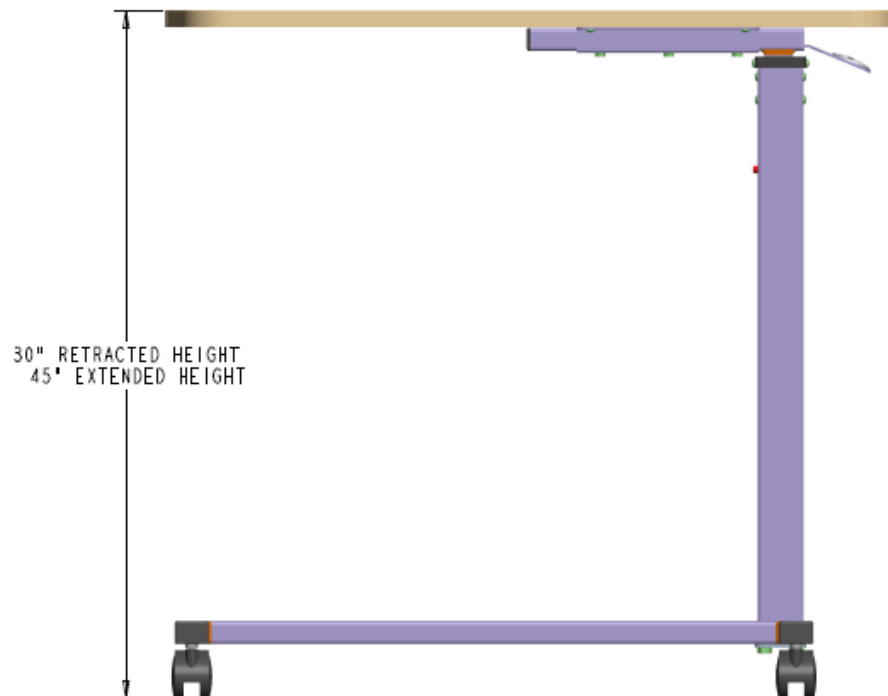


OVER BED TABLE ASSY– TABLE

ITEM	QTY	NOTES	PART NO.	DESCRIPTION	PRICE/ PER UNIT
1	4		1001298	BOLT, 1/4-20 X 1.50 HX HD, BLACK	\$3.00
2	1		1015408	SCREW, SOCKET HEAD CAP, 10-32NF X 3/8	\$3.00
3	1	A	REF	TABLE LOWER BASE FRAME ASSY	REF
4	1	A	REF	OVER BED TABLE TOP FRAME ASSY	REF
5	1	A	REF	OVER BED WOOD TABLE TOP -	REF

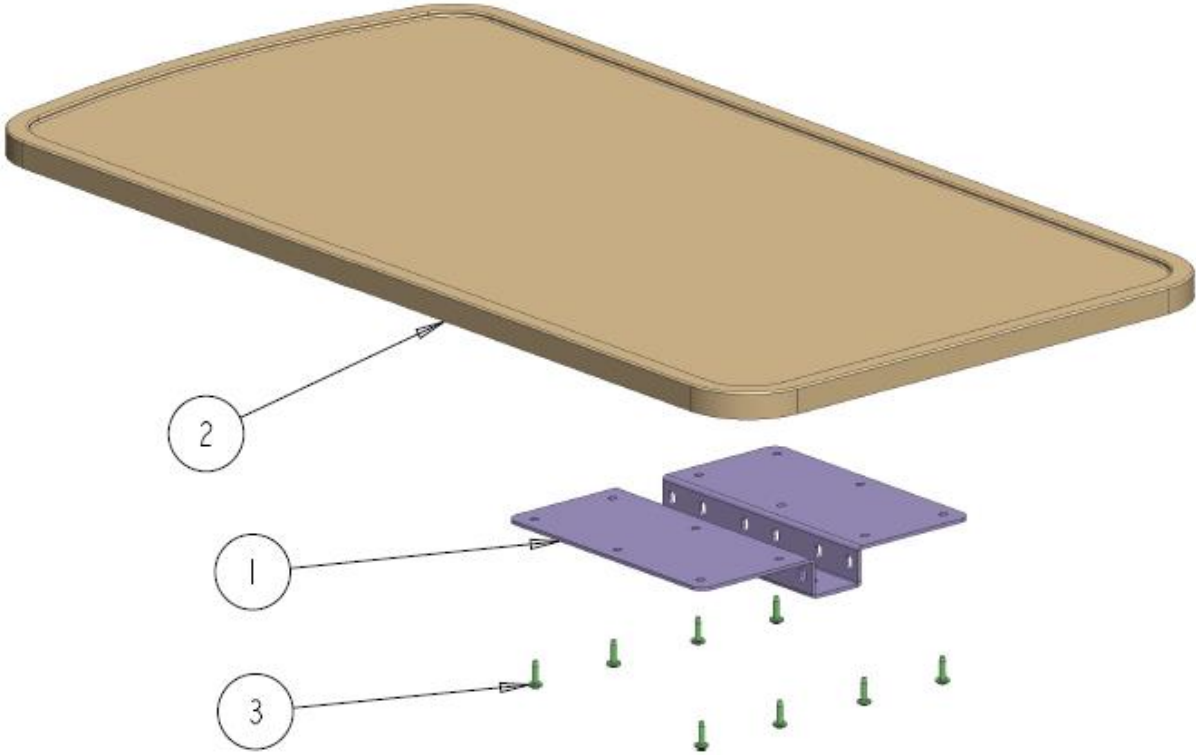
NOTES:

A. PARTS BREAKDOWN FOUND WITHIN THIS SECTION.



OVER BED WOOD TABLE TOP ASSY

OVER BED WOOD TABLE TOP - WITH MOUNTING BRACKET



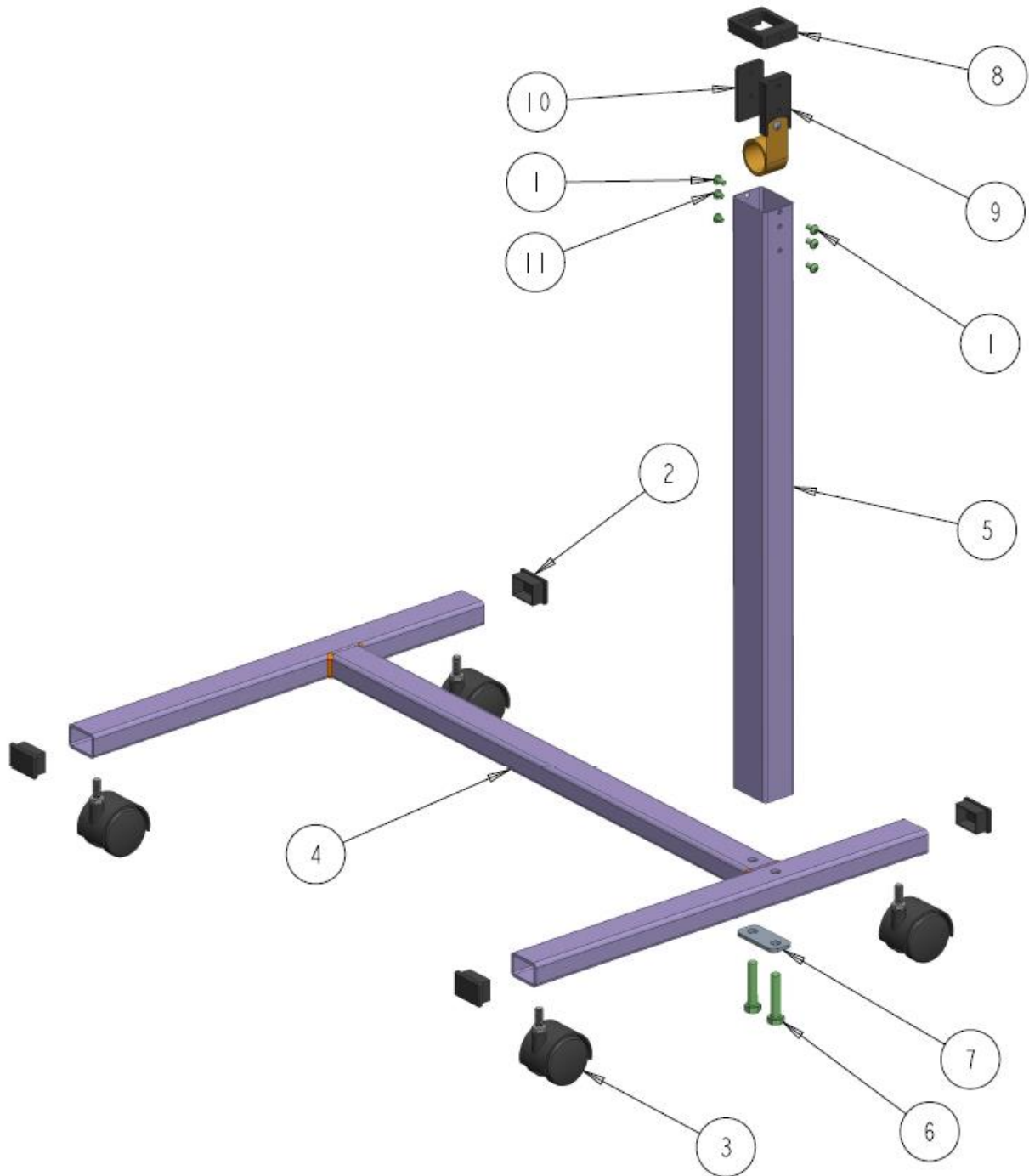
OVER BED WOOD TABLE TOP - WITH MOUNTING BRACKET- TABLE

ITEM	QTY	NOTES	PART NO.	DESCRIPTION	PRICE/ PER UNIT
1	1		1035655	OVER BED TABLE MOUNT BKT	\$17.00
2	1		1037133	OVER BED WOOD TABLE TOP	\$30.00
3	8		1037134	WOOD SCREW PHILLIPS #10 X 0.625 LG	\$3.00
	1		1037012	KIT, COMPLETE OVER BED WOOD TABLE TOP ASSY	\$45.00

NOTES:

OVER BED TABLE – BASE

OVER BED TABLE LOWER BASE FRAME ASSY



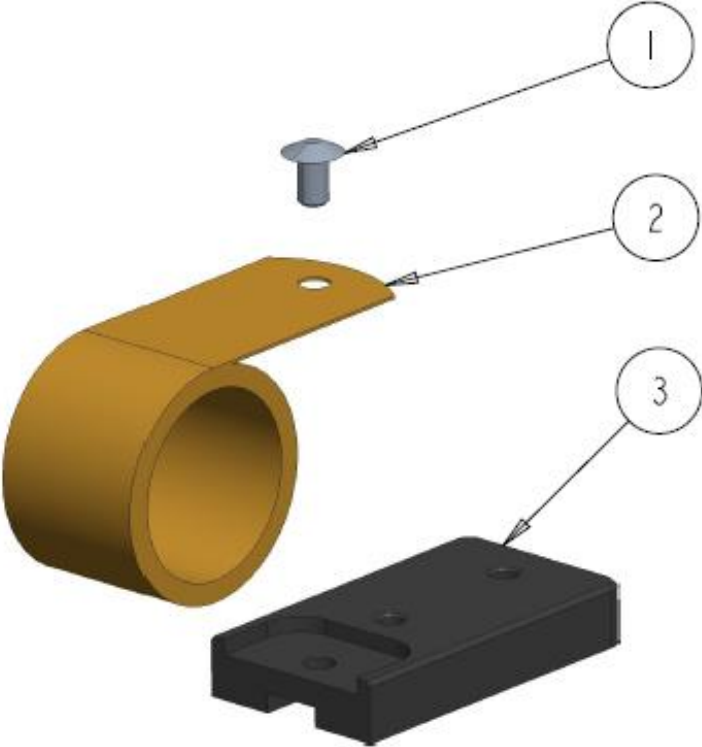
OVER BED TABLE LOWER BASE FRAME ASSY- TABLE

ITEM	QTY	NOTES	PART NO.	DESCRIPTION	PRICE/ PER UNIT
1	4		1002714	SCREW, PHILLIPS PAN HEAD, #10-32NF X 3/8 SS	\$3.00
2	4		1035608	END CAP RECTANGLE	\$5.00
3	4		1035609	2.0" OD TABLE CASTER	\$7.00
4	1		1036896	OVER BED TABLE BASE FRAME WELD	\$40.00
5	1		1037105	TABLE OUTER VERTICAL WELDMENT	\$25.00
6	2		1037108	BOLT, HEX HEAD, 3/8-16NC X 1.75	\$3.00
7	1		1037116	OVER BED TABLE UNDER PLATE	\$8.00
8	1		1037124	OVER BED TABLE COVER BLOCK	\$8.00
9	1	A	1037125	OVER BED TABLE GLIDE PLATE1 ASSY	\$16.00
10	1		1037128	OVER BED TABLE INNER GLIDE PLATE	\$5.00
11	2		1037130	SCREW, PHILLIPS PAN HEAD, #10-32NF X 1/4 SS	\$3.00
	1		1037013	KIT, COMPLETE BED TABLE LOWER BASE FRAME ASSY	\$95.00

NOTES:

A. PARTS BREAKDOWN FOUND WITHIN THIS SECTION.

OVER BED TABLE GLIDE PLATE ASSY



OVER BED TABLE GLIDE PLATE ASSY - TABLE

ITEM	QTY	NOTES	PART NO.	DESCRIPTION	PRICE/ PER UNIT
1	1		1004163	POP-RIVET 3/16 DIA .315 STUB	\$1.50
2	1		1035622	CONSTANT FORCE SPRING - HOLE	\$4.50
3	1		1037126	OVER BED TABLE GLIDE PLATE1	\$10.00

NOTES:

OVER BED TABLE – TOP
OVER BED TABLE TOP FRAME ASSY



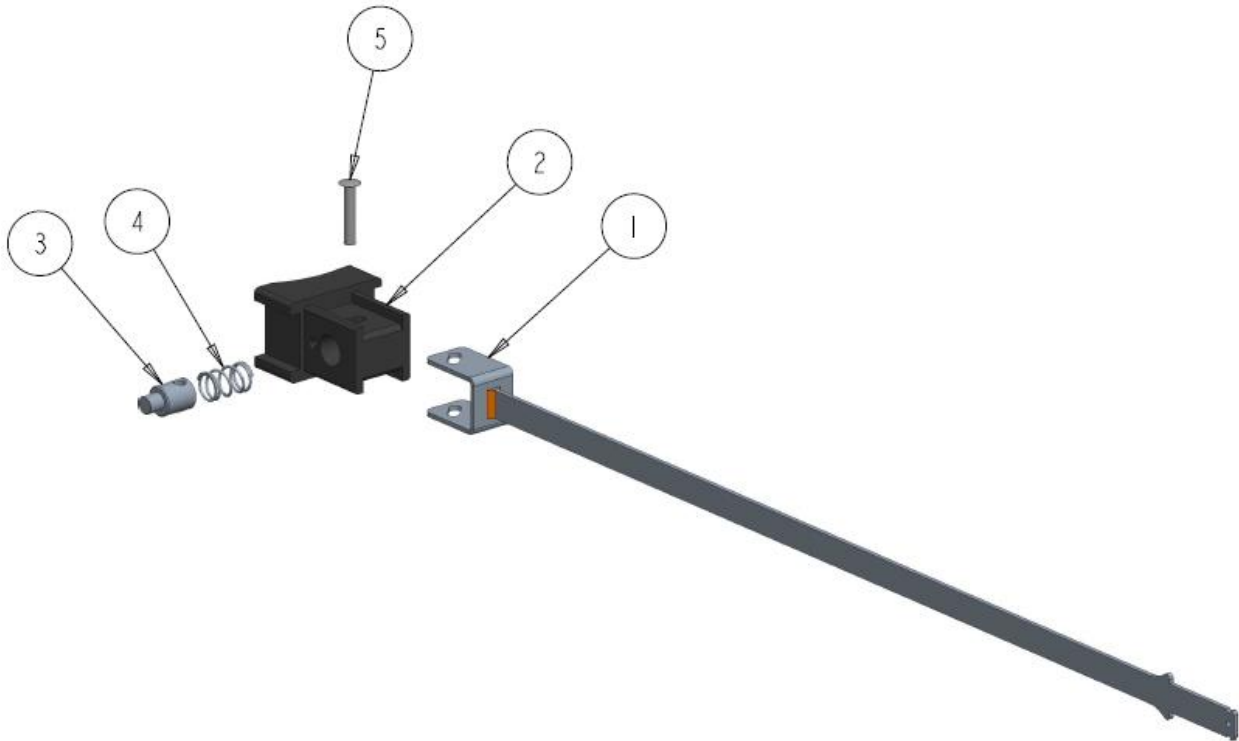
OVER BED TABLE TOP FRAME ASSY– TABLE

ITEM	QTY	NOTES	PART NO.	DESCRIPTION	PRICE/ PER UNIT
1	1		1025287	FUTURE MOBILITY LOGO 1	\$8.00
2	2		1032649	SCREW, FLAT HEAD SOCKET #6/32NC X 3/8	\$3.00
3	1		1035608	END CAP RECTANGLE	\$5.00
4	1		1037102	BED TABLE TOP L- BRACKET WELDMENT	\$20.00
5	1	A	1037109	OVER BED TABLE TOP GLIDE MECH ASSY	\$35.00
6	1		1037120	COMP SPRING .600 DIA X .059	\$3.50
7	1		1037121	OVER BED TABLE RELEASE PADDLE	\$5.00
8	1		1037122	HITCH PIN CLIP	\$1.50
9	2		1037129	ROUND END PLUG SHORTY 0.437 HOLE	\$5.00
	1		1037014	KIT, COMPLETE BED TABLE TOP FRAME ASSY	\$60.00

NOTES:

A. PARTS BREAKDOWN FOUND WITHIN THIS SECTION.

OVER BED TABLE TOP GLIDE MECH ASSY



OVER BED TABLE TOP GLIDE MECH ASSY - TABLE

ITEM	QTY	NOTES	PART NO.	DESCRIPTION	PRICE/ PER UNIT
1	1		1037110	BED TABLE TOP GLIDE BAR WELDMENT	\$22.00
2	1		1037113	BED TABLE TOP GLIDER HOUSING	\$28.00
3	1		1037114	BED TABLE TOP GLIDER STEPPED PIN	\$3.00
4	1		1037119	COMP SPRING .480 DIA X .045	\$3.50
5	1		1037136	STEEL TUBULAR RIVET, 3/16 X 1.00	\$3.00
	1		1037015	KIT, COMPLETE BED TABLE TOP GLIDE MECH ASSY	\$35.00

NOTES: