

LUNAR

LUNAR SLIM



The **Lunar Slim™** is made for end users who need a full range of motion, and still have complex positioning needs. Lateral support options include fixed or adjustable swing aways, making this back one of the more versatile, modular wheelchair backs on the market.

Mounting Bracket RT Hardware



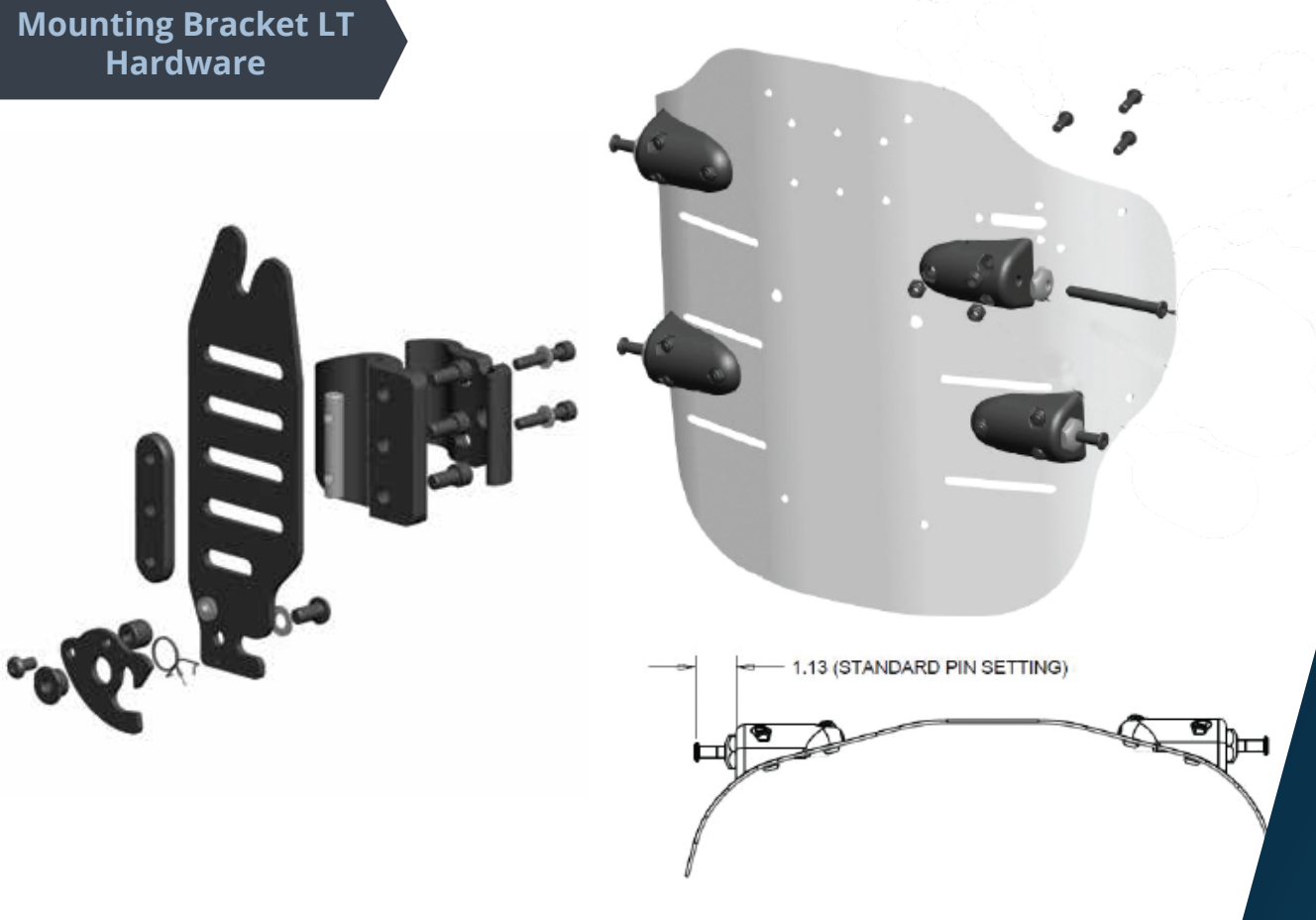
PRODUCT HIGHLIGHTS

- Lightweight, sturdy fernal aluminum shell
- New generation breathable fabric incontinent
- Replaceable foam (poly + visco combination)
- Available in 3 back style heights (low back, mid-back, and full back)
- Optional lateral supports, available in 4 styles: Fixed, Height Adjustable, Fixed Offset and Adjustable Swing Away
- Pins adjustable to accommodate up to 2" difference in seat width
- **Product Weight:** 5.0 lbs (18"W x 18"H Basic)
Capacity: 350 lbs - Slim HD 500 lbs
Warranty: 2 years limited on back and 90 days on cover, 1 year on hardware

Lunar Series Backs		STYLE: Lunar Slim	
Part Number	Size W x H	Part Number	Size W x H
LBS1210	12" x 10"	LBS2016	20" x 16"
LBS1410	14" x 10"	LBS1618	16" x 18"
LBS1212	12" x 12"	LBS1818	18" x 18"
LBS1412	14" x 12"	LBS2018	20" x 18"
LBS1214	12" x 14"	LBS1620	16" x 20"
LBS1414	14" x 14"	LBS1820	18" x 20"
LBS1216	12" x 16"	LBS2020	20" x 20"
LBS1416	14" x 16"	LBS1622	16" x 22"
LBS1616	16" x 16"	LBS1822	18" x 22"
LBS1816	18" x 16"	LBS2022	20" x 22"
Part Number		Size W x H	
LBSCUS		Custom	

Lunar Series Backs		STYLE: Lunar Slim Bariatric	
Part Number	Size W x H	Part Number	Size W x H
LBS2216	22" x 16"	LBS2620	26" x 20"
LBS2218	22" x 18"	LBS2622	26" x 22"
LBS2220	22" x 20"	LBS2624	26" x 24"
LBS2222	22" x 22"	LBS2820	28" x 20"
LBS2224	22" x 24"	LBS2822	28" x 22"
LBS2416	24" x 16"	LBS2824	28" x 24"
LBS2418	24" x 18"	LBS3020	30" x 20"
LBS2420	24" x 20"	LBS3022	30" x 22"
LBS2422	24" x 22"	LBS3024	30" x 24"
LBS2424	24" x 24"	LBS3220	32" x 20"
LBS2616	26" x 16"	LBS3222	32" x 22"
LBS2618	26" x 18"	LBS3224	32" x 24"
Part Number		Size W x H	
LBSHDCUS		Custom	

Mounting Bracket LT Hardware





FUTURE MOBILITY

CANADA

6750 Professional Court, Mississauga,
Ontario, L4V 1X6



1-888-737-4011



www.futuremobility.ca



USA



11126 Greenstone Ave, Santa Fe Springs
CA 90670



716-783-9130



www.futuremobility.com

