



FUTURE MOBILITY PRODUCTS INC.

DIVISION OF ABF MFG GROUP INC.
WWW.FUTUREMOBILITY.COM



PRISM
Supreme Drop Base
TEL: 888-342-3119
FAX: 424-217-7327
orderdesk@futuremobility.com

Account Information

Account #: _____
Business Name: _____
Ship to Address: _____
Contact: _____
Tag For: _____

Order Date: _____
P.O.# _____
Phone: _____
City: _____
State: _____ Zip Code: _____

COVER MATERIAL

<input type="checkbox"/> 4 - Way Stretch Cover	WSC	No Charge
<input type="checkbox"/> Infection Control Cover	ICC	No Charge
<input type="checkbox"/> Waterproof Inner Cover	PCR	No Charge
<input type="checkbox"/> Non Slip Cover	NSC	\$40

(Stock Sizes - Same Day Shipments)

HCPCS CODE: E2231

	Flush	1" Drop	2" Drop	
14"wide x 14"deep	<input type="checkbox"/> SC0DB1414	<input type="checkbox"/> SC1DB1414	<input type="checkbox"/> SC2DB1414	\$755 _____
14"wide x 16"deep	<input type="checkbox"/> SC0DB1416	<input type="checkbox"/> SC1DB1416	<input type="checkbox"/> SC2DB1416	\$755 _____
16"wide x 16"deep	<input type="checkbox"/> SC0DB1616	<input type="checkbox"/> SC1DB1616	<input type="checkbox"/> SC2DB1616	\$755 _____
16"wide x 18"deep	<input type="checkbox"/> SC0DB1618	<input type="checkbox"/> SC1DB1618	<input type="checkbox"/> SC2DB1618	\$755 _____
18"wide x 16"deep	<input type="checkbox"/> SC0DB1816	<input type="checkbox"/> SC1DB1816	<input type="checkbox"/> SC2DB1816	\$755 _____
18"wide x 18"deep	<input type="checkbox"/> SC0DB1818	<input type="checkbox"/> SC1DB1818	<input type="checkbox"/> SC2DB1818	\$755 _____
18"wide x 20"deep	<input type="checkbox"/> SC0DB1820	<input type="checkbox"/> SC1DB1820	<input type="checkbox"/> SC2DB1820	\$755 _____

(Non - Stock Sizes - Shipments within 3 Business Days)

HCPCS CODE: E2231

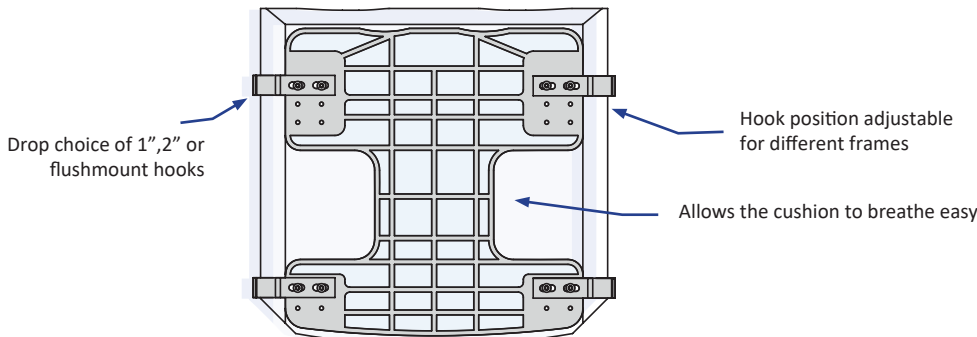
	Flush	1" Drop	2" Drop	
15"wide x 16"deep	<input type="checkbox"/> SC0DB1516	<input type="checkbox"/> SC1DB1516	<input type="checkbox"/> SC2DB1516	\$810 _____
15"wide x 18"deep	<input type="checkbox"/> SC0DB1518	<input type="checkbox"/> SC1DB1518	<input type="checkbox"/> SC2DB1518	\$810 _____
16"wide x 20"deep	<input type="checkbox"/> SC0DB1620	<input type="checkbox"/> SC1DB1620	<input type="checkbox"/> SC2DB1620	\$810 _____
17"wide x 16"deep	<input type="checkbox"/> SC0DB1716	<input type="checkbox"/> SC1DB1716	<input type="checkbox"/> SC2DB1716	\$810 _____
17"wide x 18"deep	<input type="checkbox"/> SC0DB1718	<input type="checkbox"/> SC1DB1718	<input type="checkbox"/> SC2DB1718	\$810 _____
17"wide x 20"deep	<input type="checkbox"/> SC0DB1720	<input type="checkbox"/> SC1DB1720	<input type="checkbox"/> SC2DB1720	\$810 _____
19"wide x 16"deep	<input type="checkbox"/> SC0DB1916	<input type="checkbox"/> SC1DB1916	<input type="checkbox"/> SC2DB1916	\$810 _____
19"wide x 18"deep	<input type="checkbox"/> SC0DB1918	<input type="checkbox"/> SC1DB1918	<input type="checkbox"/> SC2DB1918	\$810 _____
19"wide x 20"deep	<input type="checkbox"/> SC0DB1920	<input type="checkbox"/> SC1DB1920	<input type="checkbox"/> SC2DB1920	\$810 _____
20"wide x 16"deep	<input type="checkbox"/> SC0DB2016	<input type="checkbox"/> SC1DB2016	<input type="checkbox"/> SC2DB2016	\$810 _____
20"wide x 18"deep	<input type="checkbox"/> SC0DB2018	<input type="checkbox"/> SC1DB2018	<input type="checkbox"/> SC2DB2018	\$810 _____
20"wide x 20"deep	<input type="checkbox"/> SC0DB2020	<input type="checkbox"/> SC1DB2020	<input type="checkbox"/> SC2DB2020	\$810 _____

(Custom Sizes - Shipments within 3 to 10 Business Days)

	Flush	1" Drop	2" Drop	
Custom Size	<input type="checkbox"/> SC0DBCUS	<input type="checkbox"/> SC1DBCUS	<input type="checkbox"/> SC2DBCUS	\$935 _____
	Width: _____ (Max 24")			
	Depth: _____			

EXTRA DROP BASE HOOKS

- Flushmount (set of 4) DBH0 \$60 _____
- 1" (set of 4) DBH1 \$60 _____
- 2" (set of 4) DBH2 \$60 _____



NOTES:

SC0: Drop Base hooks only flushmount, SC1: Drop Base hooks 1" Drop, SC2: Drop Base hooks 2" Drop
 ICC: Infection Control Outer Cover made with Recovery 5TM fabric. Designed for acute and long term healthcare environments. Moisture resistant, breathable, anti-fungal, antibacterial. Prevents surface contamination into the foam.
 4 - Way Stretch Outer Cover: Designed for maximum immersion and prevent the increase in pressure.

